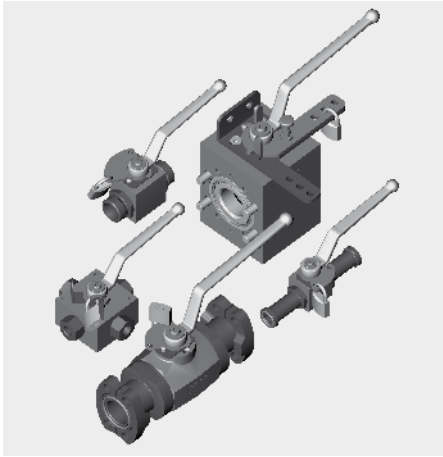


Lockable Ball Valves



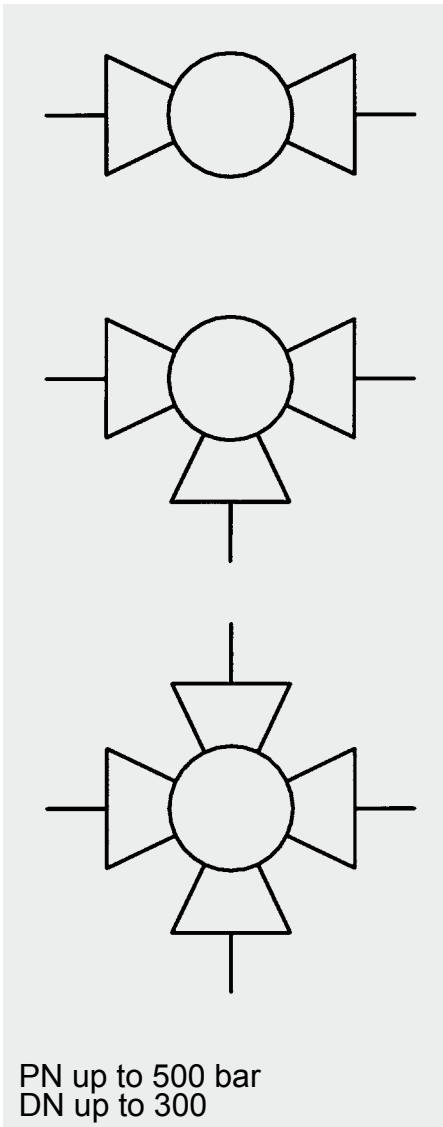
Model code
(also order example)

KHB-16SR-1114-16X SO 760

Designation
Type of ball valve

Lockable

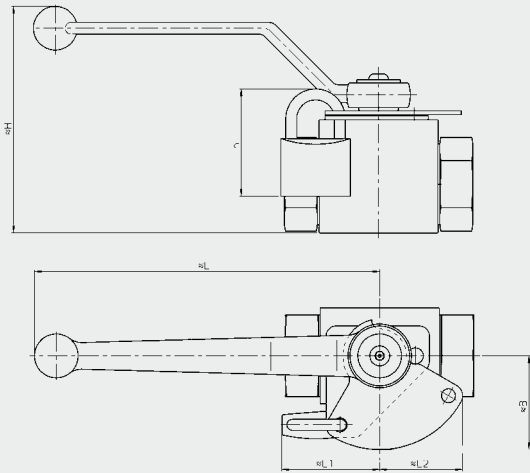
- SO 760 = Ball valve can be locked in open and closed position using padlock. Padlock not supplied.
- SO 770 = Ball valve can be locked in open and closed position using padlock.
- SO 160 = Ball valve can be locked in open and closed position using cylinder lock. Key can be removed once locked.



PN up to 500 bar
DN up to 300

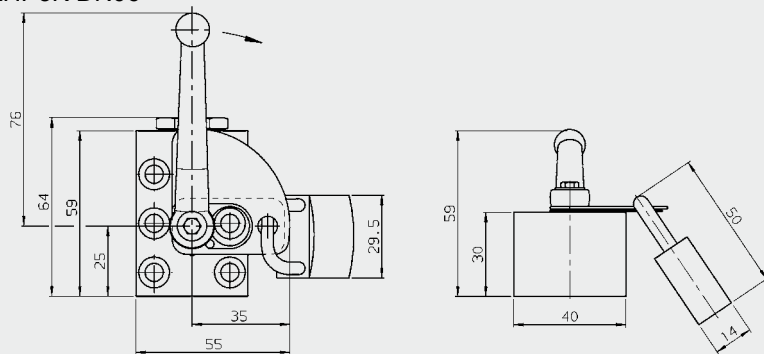
Lockable ball valves SO 760/770

KHB/KHM

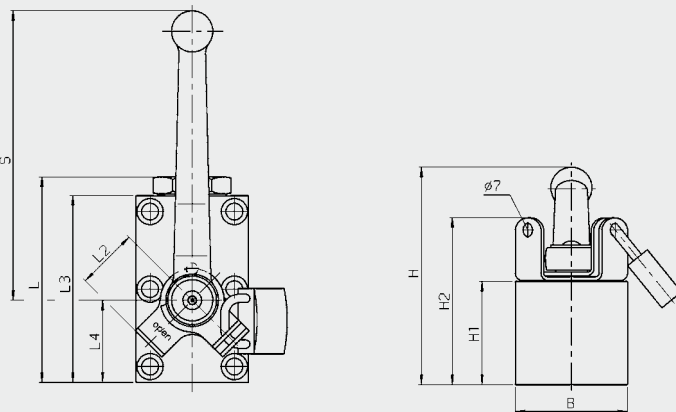


DN		L1	L2	h	B	H	L
04/06	M5	42	28.5	54	32	63.5	108
08/10/13	M5	42	28.5		32	68.5	108
12/16	M5	43	30.5		34	102	174
20	M6	50	41.7		47	114	174
25	M6	50	41.7		47	121	174
32	M8	47	37.9		42	158.5	213
40	M8	47	37.9		42	169.5	213
50	M8	47	37.9		42	186	213

KHP/KHP3K DN06



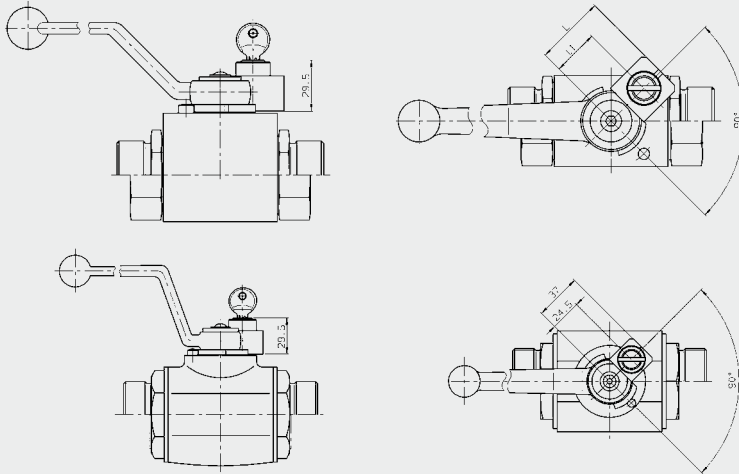
KHP/KHP3K DN10 - 50



Type	DN	B	H	H1	H2	L	L2	L3	L4	S
KHP/ KHP3K	06	40	59	30	–	64	35	59	25	76
	10	55	78	45	74	80	22	70	29	108
	16	60	120	55	89	110	33	100	44.5	174
	20	70	136	70	106	127	35	117	51	174
	25	80	146	80	116	145	35	135	62	174
	32	100	187	100	137	176	36	165	75	231
KHP	40	130	187	100	137	205	36	180	85	231
	50	149	197	110	147	245	36	220	106	231

Lockable ball valve SO 160

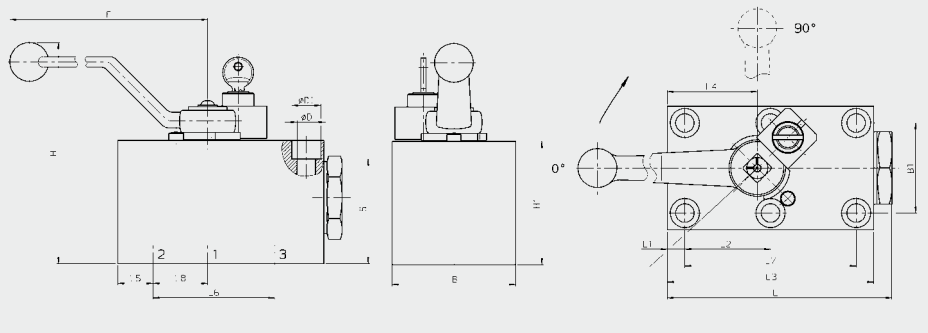
KHM-32-50 SO160



SO 160 - Ball valve can be locked in open or closed position.
Key can be removed once locked

DN	L	L1
04/06	35	22.5
08/10/13	31.5	19
12/16	33.5	21
20/25	37	24.5

KHP3K 16-25



Type	DN	LW	L	L1	L2	L3	L4	L5	L6	L7	L8	B	B1	E	H	H1	ØD	ØD1	S
KHP3K	16	16	110	8.5	41.5	100	44.5	17	58	83	26.5	60	45	169	119	55	9	14	48
	20	20	127	10	48.5	117	51	20	69	97	31	70	51	169	134	70	10.5	16.5	59.5
	25	23.5	145	10	57.5	135	62	24	81	115	38	80	60	169	144	80	10.5	17	69

NOTE

The information in this brochure relates to the operating conditions and applications described.

For applications or operating conditions not described, please contact the relevant technical department.

Subject to technical modifications.

HYDAC Accessories GmbH
Hirschbachstr. 2
66280 Sulzbach/Saar
Tel.: +49 (0)6897 - 509-1001
Fax: +49 (0)6897 - 509-1009
Internet: www.hydac.com
E-Mail: info@hydac.com

