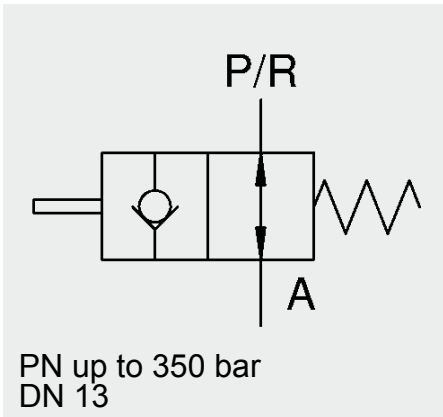
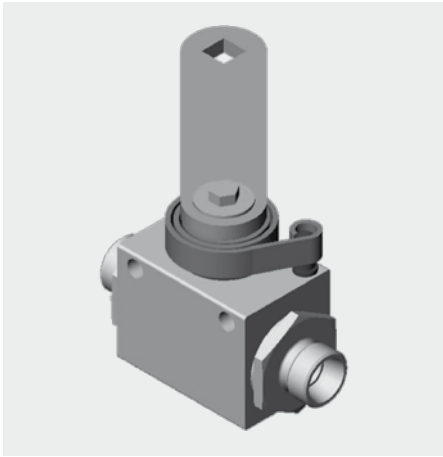


Spring Return Isolator HKHB



Model code

(also order example)

HKHB 12LR 1112 09X A CCW OK 0°

Designation

HKHB = Block ball valve with 2 mounting holes $\varnothing 6.5$, 37.5mm apart, 5mm from top edge of block and spring return.

Type of connection

LR = threaded connection - light range DIN 2353
SR = threaded connection - heavy range DIN 2353
Other types of connection on request

Materials

Housing, connection adapters and control spindle

1 = steel

Ball

1 = steel

Ball seal

1 = POM

Control spindle seal

2 = NBR (Perbunan)

Handle

15 = steel bolt-on handle, straight

09 = without handle

Surface protection

A = zinc-plated, chrome (VI)-free

Switching direction

CW = clockwise

CCW = anti-clockwise

Ball valve

Ball valve port

O = open

C = closed

Handle

L = long

K = short

Handle position

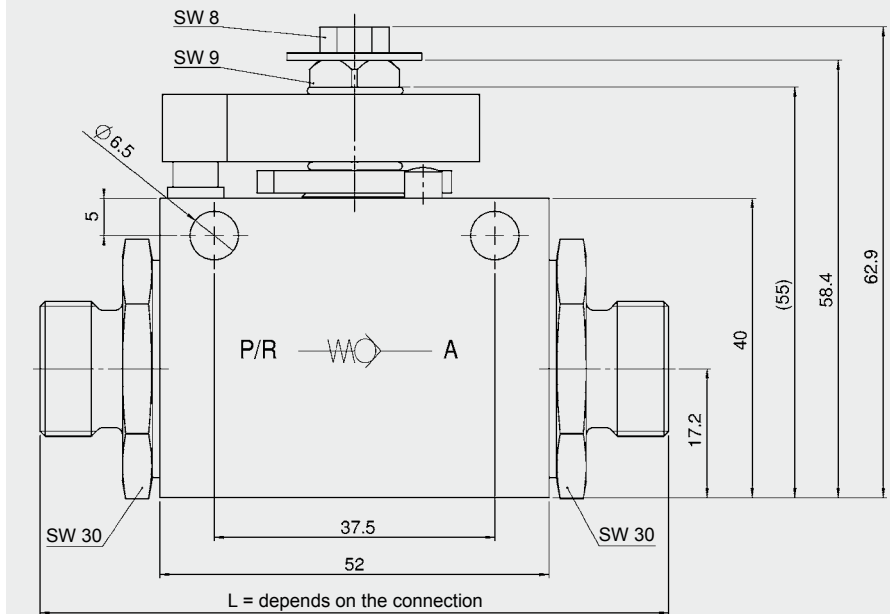
0° 315°

(see Order Form)

APPLICATION

- Controlled by a spring, this valve shuts off the pressure line, thereby accurately limiting the cylinder stroke,
- e.g. for tipping cylinders on truck bodies, tail-lifts and agricultural machinery hydraulics

DIMENSIONS

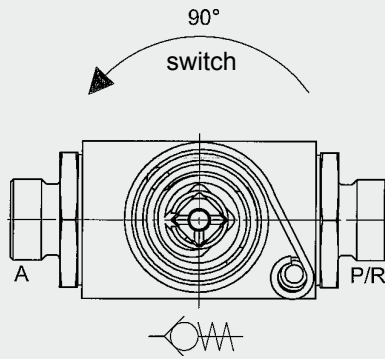
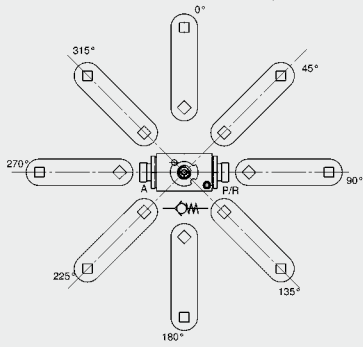


Technical specifications

DN/Nominal bore	13
Connection	10L, 12L and 15L
Operating pressure	350 bar
Medium	Hydraulic oil
Temperature of the medium	-10°C to + 80°C
Housing width	35 mm
Handle	short 75mm (100x25x4) long 125mm (150x25x4)
Reset torque	2 Nm
End position	8 Nm

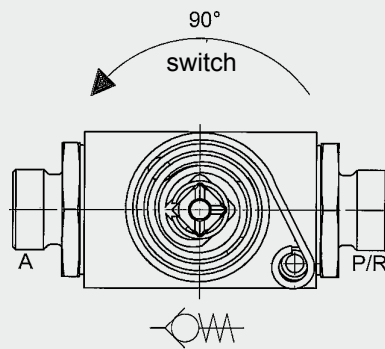
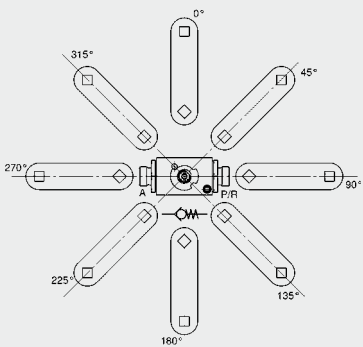
ORDER FORM

Handle position



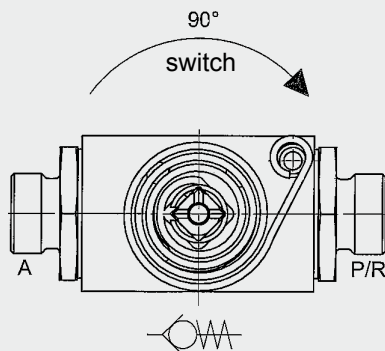
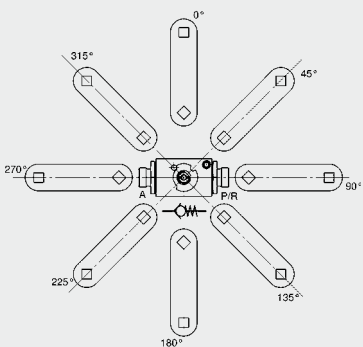
- Open
- Anti-clockwise CCW
- Connection: 10L
- 12L
- 15L
- 10SR
- Handle: short
- long
- Handle position:°

Handle position



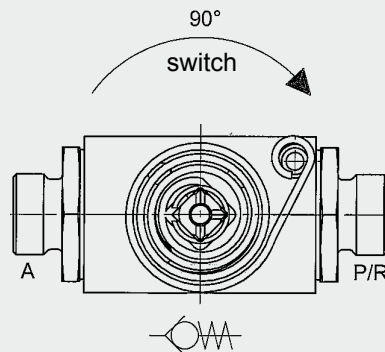
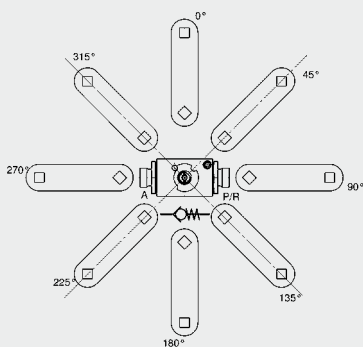
- Closed
- Anti-clockwise CCW
- Connection: 10L
- 12L
- 15L
- 10SR
- Handle: short
- long
- Handle position:°

Handle position



- Open
- Clockwise CW
- Connection: 10L
- 12L
- 15L
- 10SR
- Handle: short
- long
- Handle position:°

Handle position



- Closed
- Clockwise CW
- Connection: 10L
- 12L
- 15L
- 10SR
- Handle: short
- long
- Handle position:°

NOTE

The information in this brochure relates to the operating conditions and applications described.

For applications or operating conditions not described, please contact the relevant technical department.

Subject to technical modifications.

HYDAC Accessories GmbH
 Hirschbachstr. 2
66280 Sulzbach/Saar
 Tel.: +49 (0)6897 - 509-1001
 Fax: +49 (0)6897 - 509-1009
 Internet: www.hydac.com
 E-Mail: info@hydac.com

