

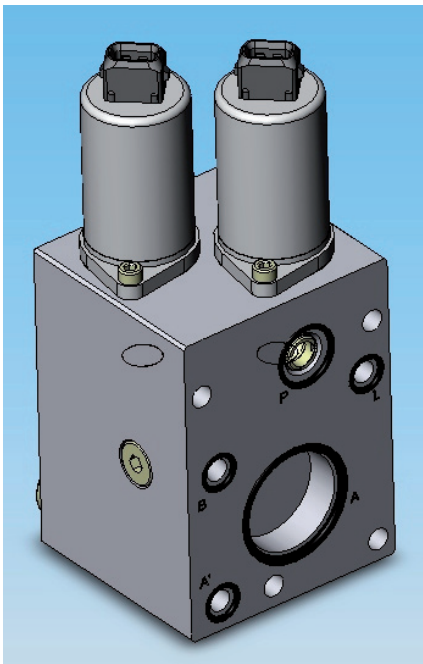


INTERNATIONAL

HYDAC International GmbH
Industriegebiet, W-66280 Sulzbach
Telefon (06897) 509-01, Telefax 509-577
www.hydac.com

Presse
News

Compact Hydraulics Proportional Compact-Valves in pilot controls



Especially in construction machines the picture of the operator has been highly changed in the last years.

The cabin is resembling a flight deck or a computer console with its electronic displays and joysticks.

This is mainly due to the proportional manifolds of Hydac Fluidtechnik. These are enabling an electrical control of the hydraulics by joystick and no mechanical hand levers anymore which were ruling the cabins a few years ago. Nowadays nearly all hydraulic functions could be done by easy movements of the joystick without big efforts. For the operator this means: short reaction times as well as precise, direct and immediate action at the excavator-arm. Hereby the operator is working longer unburdened and more concentrated which also helps to avoid accidents.

The proportional manifolds in mobile machines are often using proportional slip-in valves, which have been especially developed for pilot controls with a fully integrated solenoid system and smallest built-in dimensions.

Furthermore these valve have a special curve which have been conceived for construction machines: the preciseness and the positioning will be enlarged; at the same time the compensation of jerks which could be transferred by the operator to the joystick is better.