

HYDAC INTERNATIONAL

HYDAC DC Compact power units DC MOBILE

Up to 250 bar
Up to 5,6 l/min

According to EN60034-1
suitable for short-term
operation

For the control of tail gates
and other rugged mobile applications
- slewable





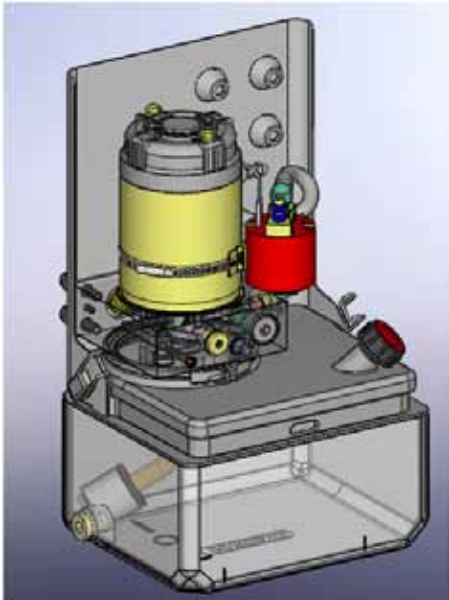
FEATURES

Mobile applications such as tail lifts are placing growing demands on the hydraulic drive units.

It should be related to the subject of CO₂ reduction, weight reduction and the integration of as many functions in a confined space. The lightweight construction of the HYDAC new development was achieved through the maximum use of plastic components. Furthermore, this generation of compact power units features some more advantages against the DC units which are currently on the market:

The use of specially shaped plastic parts such as tank and cover provide a visually attractive exterior of the unit and maximum protection against salt and splash water. In addition to this, the noise is reduced to a minimum by the low-vibration plastic coating. As the only engine in its class, it can be mounted in 3 different positions, without modifications.

The modular design allows performances of 1.2 to 2.2 kW in 12 and 24 volts DC, and 3 different sizes of tanks. Additionally to the optimal use of materials and the simple mounting methods of the individual components, the production costs could be reduced radically. This we can pass as a reasonable price to the customer. Despite its compact design, the structural design is distinguished by its ease of maintenance.

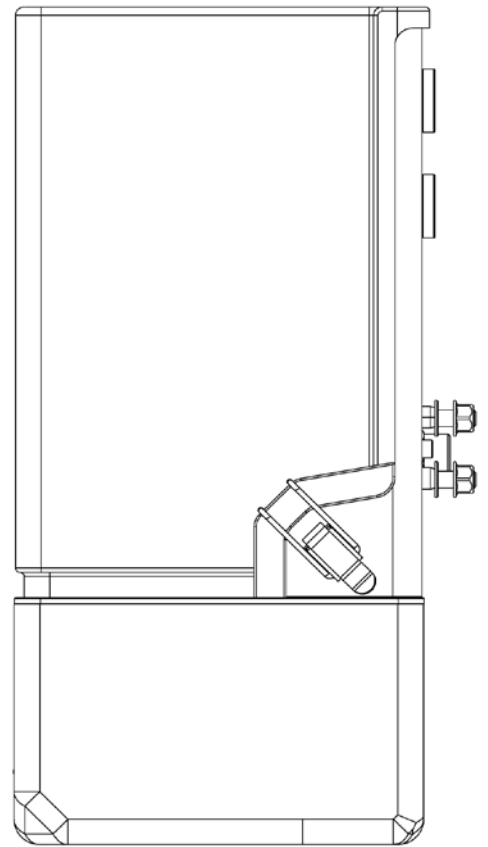
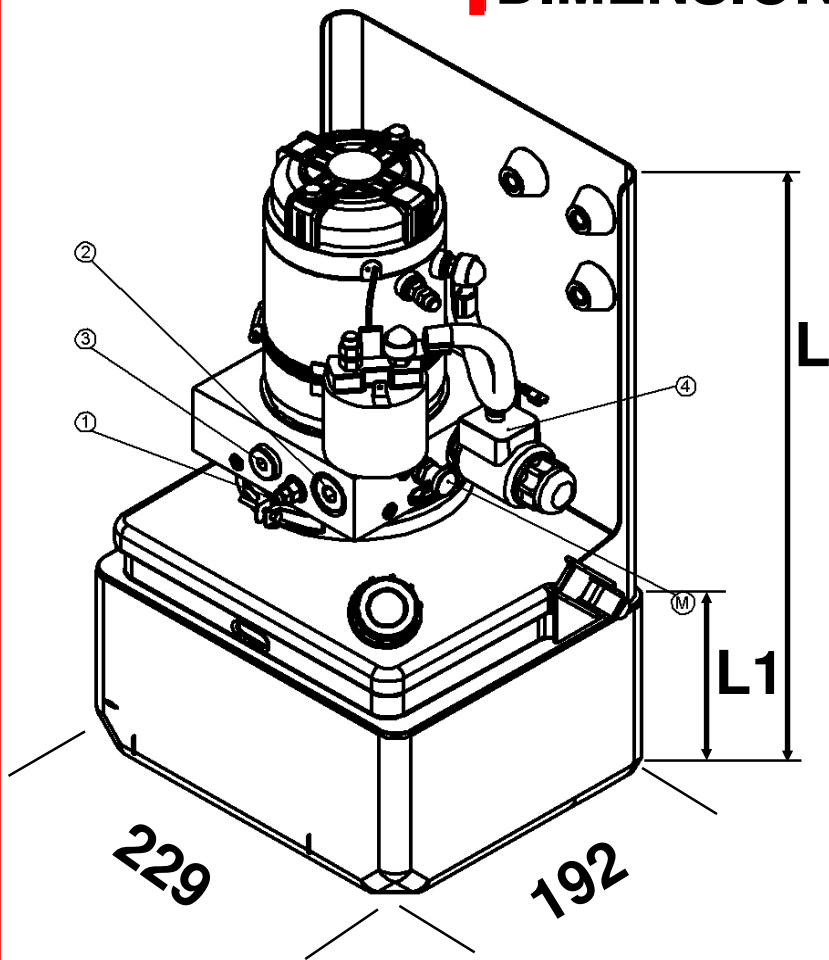


TECHNICAL SPECIFICATIONS

Flow-rate:	up to 2.5 ... 5.6 l/min
Operating pressure:	up to 200 bar
Peak pressure:	up to 250 bar
Engine:	P _n = 1.2 kW ... 2.2 kW
Voltages:	12 and 24 Volt
IP rating:	min. IP 54 according to DIN EN 60034-5
Pump displacement:	V _g : 0.8 cm ³ / rev. ... 2.6 cm ³ / rev.
Tank volume:	4,0 - 7,5 l
Usable volume:	2.2 - 6.3 l
Duty ratio:	S2 (Short term operation) S3 (intermittent duty)
Fluid:	Mineral oil IAW DIN 51524 Part 2
Fluid temperature:	min. -20 ° C to + 80 ° C
Ambient temperature:	min. -20 ° C to + 40 ° C
Viscosity range:	min. 10 mm ² /s - max. 380 mm ² /s
Filtration:	operating fluid according to ISO4406 class 21/19/16 or better



DIMENSIONS



Main dimensions in mm

Size	L	L1
1	398	117
2	423	142
3	463	182

