



4.2 FIXED DISPLACEMENT – DOUBLE PUMP

CONTENTS

PVF101

Ordering Code	4.2.1 Fixed Displacement
Technical Information	4.2.2 Specifications 4.2.3 Hydraulic fluids 4.2.4 Viscosity range 4.2.5 Temperature range 4.2.6 Seals 4.2.7 Filtration 4.2.8 Installation notes
Performance Data	4.2.9 PVF101-1x- 4.2.10 PVF101-2x- / PVF101-x2- 4.2.11 PVF101-3x- / PVF101-x3- 4.2.12 PVF101-x4- 4.2.13 Power limitations
Dimensions	4.2.14 PVF101-12- 4.2.15 PVF101-13- 4.2.16 PVF101-23- 4.2.17 PVF101-33- 4.2.18 PVF101-14- 4.2.19 PVF101-24- 4.2.20 PVF101-34-

ORDERING CODE

4.2.1 Fixed Displacement Vane Pump

PVF101 - 12 - 17 / 59 F R E A A 42 - XXXX

Fixed displacement vane pump

Seals

F- NBR
FPM

Size

12 23 14 34
13 33 24

Displacement

	Stage 2	Stage 1		Stage 2	Stage 1
PVF101-12-	6	26	PVF101-13-	6	
	8			8	
	10	33		10	
	12	41		12	76
	14	/ 47		14	/ 94
	17			17	116
	19	53		19	
23	59	23			
25	65	25			
31		31			

	Stage 2	Stage 1		Stage 2	Stage 1
PVF101-23-	41	52	PVF101-33-	76	76
	47	60		94	/ 94
	53	/ 66		116	116
	59	76			
	65	94			
	116				

	Stage 2	Stage 1		Stage 2	Stage 1
PVF101-14-	6	136	PVF101-24-	26	136
	8	153		33	153
	10	184		41	/ 184
	12	/ 184		47	200
	14	200			237
	17	237			
	19				
23					

	Stage 2	Stage 1
PVF101-34-	52	136
	60	153
	66	184
	76	/ 184
	94	200
	116	237

Installation type

F Flange mounting

Shaft rotation

R Clockwise, viewed from shaft end

Discharge port position, stage 2

E Top left 45° (size 12, 23, 34)

A Top (size 13, 33, 14, 24)

Discharge port position, stage 1

A Top

Suction port position

A Top

Design number

42 Size 12, 13

41 Size 23

31 Size 24, 33, 34

32 Size 14

Design standard

European Standard

90 North American Standard

Modification number

XXXX Determined by manufacturer

TECHNICAL INFORMATION

4.2.2 Specifications

Pump size			6	8	10	12	14	17	19	23	25	31	
Geometric displacement	[cm ³ /rev]		6	8	10	12	14	17	19	23	25	31	
Max. pressure with fluid type	HLP, HFD-U	[bar]	210 *1				210				210 *2	210	160
	HL	[bar]	160										
	HFC	[bar]	160										
	HFD-R	[bar]	160										
Drive speed	Min.	[rpm]	750 (at 100 cSt max.)										
	max.	[rpm]	1800 (1200 with HFD-R)										

*1 For pressures above 160 bar a minimum speed of 1450 rpm is required

*2 Max. pressure for PVF101-14 with 23 cm³ displacement = 160 bar

Pump size			26	33	41	47	53	59	65		
Geometric displacement	[cm ³ /rev]		26	33	41	47	53	59	65		
Max. pressure with fluid type	HLP, HFD-U	[bar]	210								
	HL	[bar]	140								
	HFC	[bar]	160								
	HFD-R	[bar]	140								
Drive speed	Min.	[rpm]	600 (at 100 cSt max.)								
	max.	[rpm]	1800 (1200 with HFD-R)								

Pump size			52	60	66	76	94	116	136	153	184	200	237
Geometric displacement	[cm ³ /rev]		52	60	66	76	94	116	136	153	184	200	237
Max. pressure with fluid type	HLP, HFD-U	[bar]	210				160	175					
	HL	[bar]	140										
	HFC	[bar]	160										
	HFD-R	[bar]	140										
Drive speed	Min.	[rpm]	600 (at 100 cSt max.)										
	max.	[rpm]	1800 (1200 with HFD-R)										

Pump size			PVF101-						
			12	13	23	33	14	24	34
Approx. weight	[kg]		25	45.6	51	84	75	78	98

4.2.3 Hydraulic fluids

The pump series is designed for use with:

Hydraulic oil based on mineral oil
(HL, HLP, ISO VG 32 or 46)

Synthetic fluids

(Phosphate ester, HFD-R)
(Polyol ester, HFD-U)
(Water glycolol, HFC)

4.2.4 Viscosity range

Normal operating viscosity:
20 - 400 cSt (mm²/s)

4.2.5 Temperature range

from 0 to +70 °C
with aqueous fluids:
5 to +50 °C

4.2.6 Seals

The pump series is equipped with NBR seals. When phosphate ester or polyolester fluids are used, FPM seals must be used.

4.2.7 Filtration

For maximum pump and system component life time, the system should be protected from contamination by effective filtration. Cleanliness class:

23 / 21 / 18 to ISO 4406:1999

or

Class 12 to NAS 1638

or cleaner.

4.2.8 Installation notes

A. Mounting with coupling

Use a flexible coupling whenever possible. There must not be any radial or axial forces on the pump shaft. The maximum misalignment is 0.1 mm and the angular deviation must be less than 0.2°.

B. Suction pressures

The suction pressures at the pump inlet port must be within the values specified in the following table. The internal diameter of the suction line must correspond to the internal diameter of the pump suction port.

If the pump is installed on the tank or above the oil level, the distance between the pump inlet and the oil level should not exceed 1 metre (0.8 metres when phosphate ester or aqueous fluids are used).

Pump type		Suction pressure		
		Minimum		Maximum
		Mineral oil	Phosphate ester, Aqueous fluid	
PVF101 series Double pumps	PVF101-12	-0.2 bar		
	PVF101-13	-0.2 bar*	-0.16 bar	+0.3 bar
	PVF101-23			
	PVF101-33			
	PVF101-14			
	PVF101-24			
	PVF101-34			

*Min. suction pressure at speeds > 1700 rpm
 PVF101 with displacement 94 or 116 cm³/rev: 0 bar (1 bar abs.)
 PVF101 with displacement 76 cm³/rev: -0.07 bar
 PVF101 with displacement 237 cm³/rev: -0.13 bar

C. Commissioning notes

During initial commissioning or after a lengthy stoppage, the pump may develop suction problems. If this is the case, install an air bleed valve on the discharge side or the air can be released by slightly loosening the joint at the discharge port. As far as possible, the pump should be run in jog mode with unloaded circulation.

D. Other notes

If the pump is to be operated at speeds below 1200 rpm, install the pump with the inlet port at the top to ensure better suction.

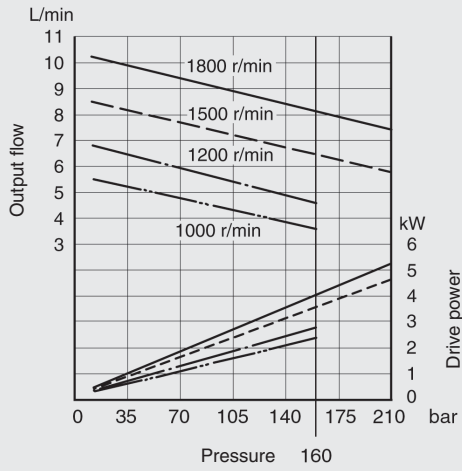
PERFORMANCE DATA

4.2.9 PVF101-1x-

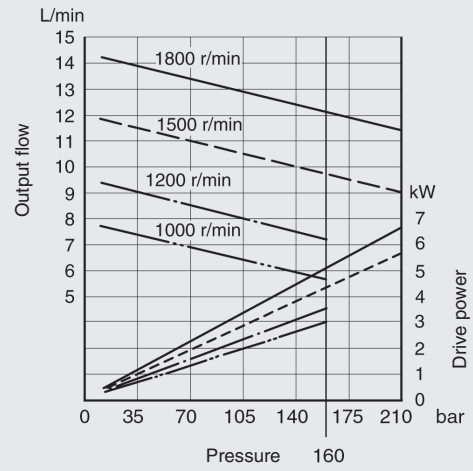
Performance characteristic curves

at viscosity 20 mm²/s (ISO VG32 oil, 50 °C)

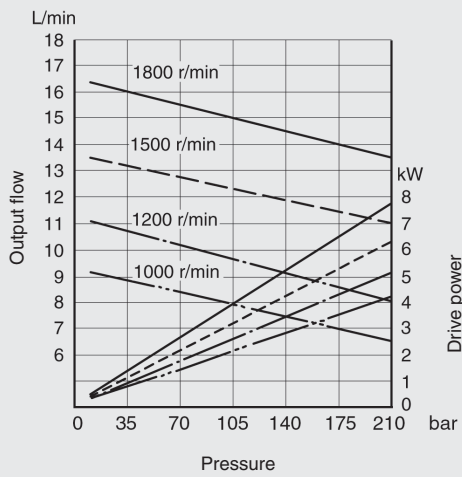
PVF101-1x-6/...



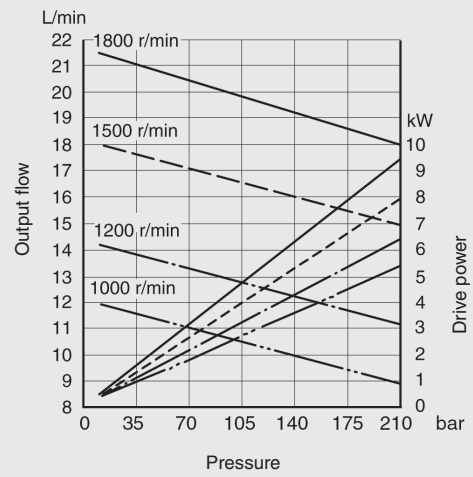
PVF101-1x-8/...



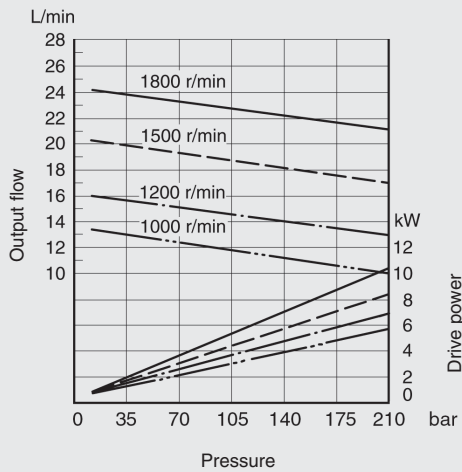
PVF101-1x-10/...



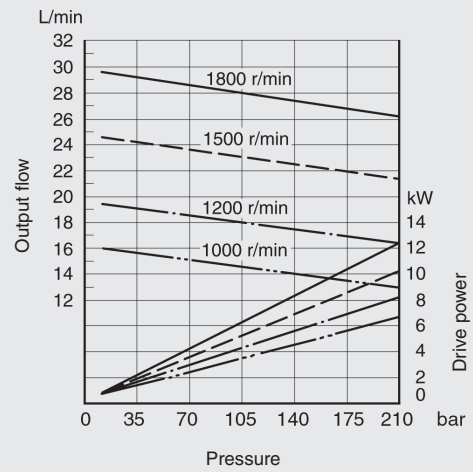
PVF101-1x-12/...



PVF101-1x-14/...



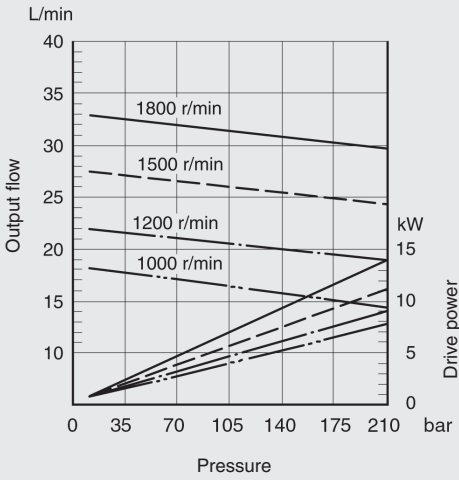
PVF101-1x-17/...



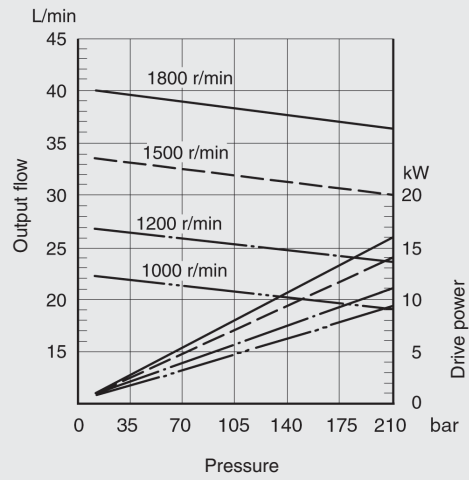
Performance characteristic curves

at viscosity 20 mm²/s (ISO VG32 oil, 50 °C)

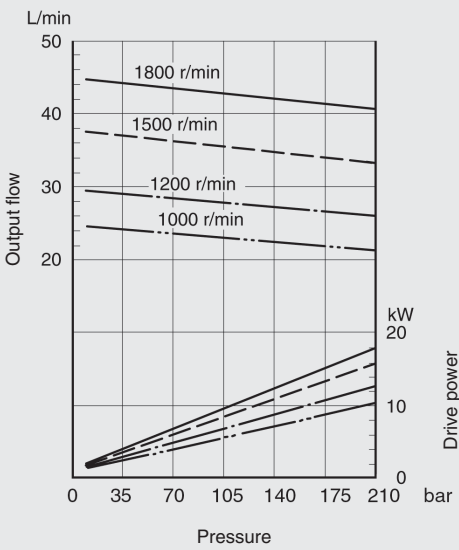
PVF101-1x-19/...



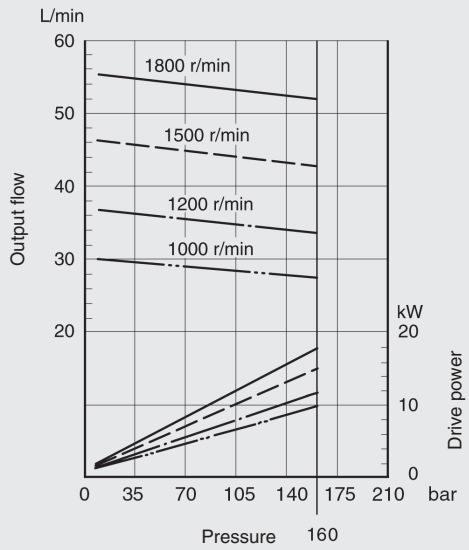
PVF101-1x-23/...



PVF101-1x-25/...



PVF101-1x-31/...

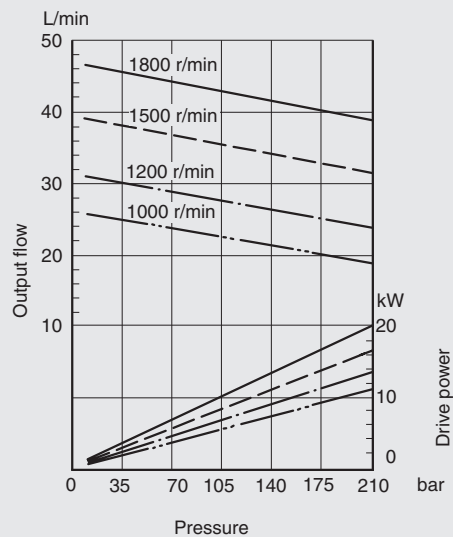


4.2.10 PVF101-2x- / PVF101-x2-

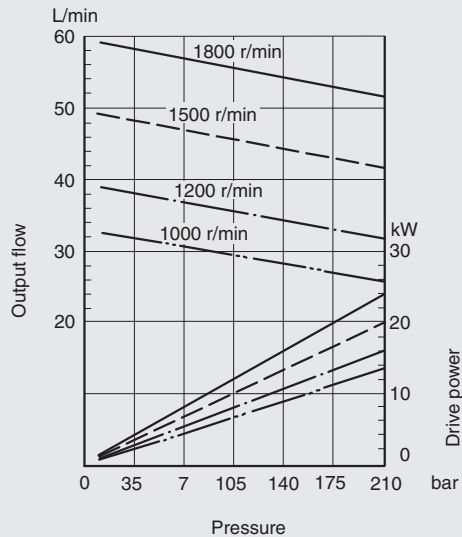
Performance characteristic curves

at viscosity 20 mm²/s (ISO VG32 oil, 50 °C)

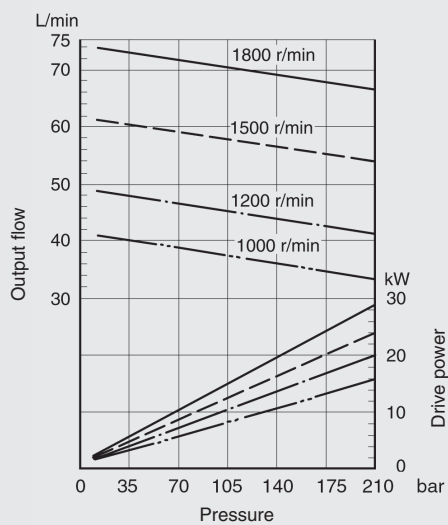
PVF101-2x-26/...
PVF101-x2-.../26...



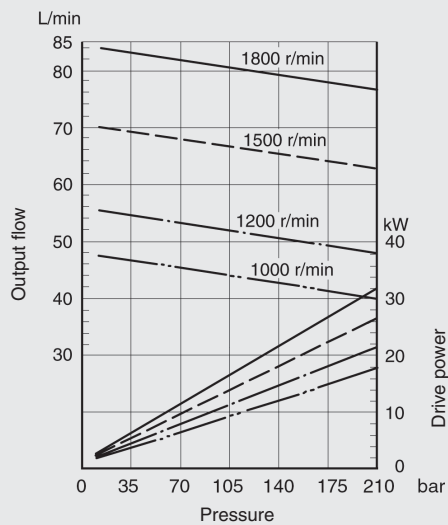
PVF101-2x-33/...
PVF101-x2-.../33...



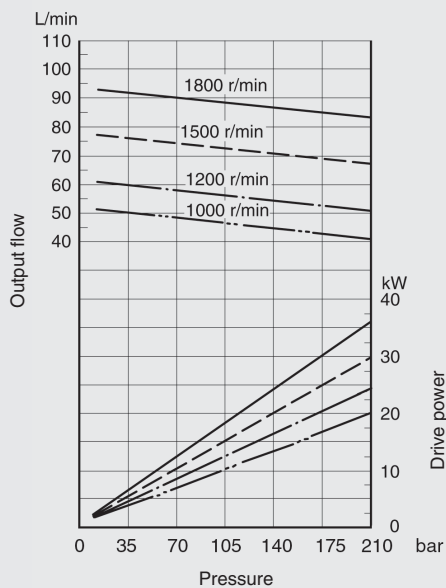
PVF101-2x-41/...
PVF101-x2-.../41...



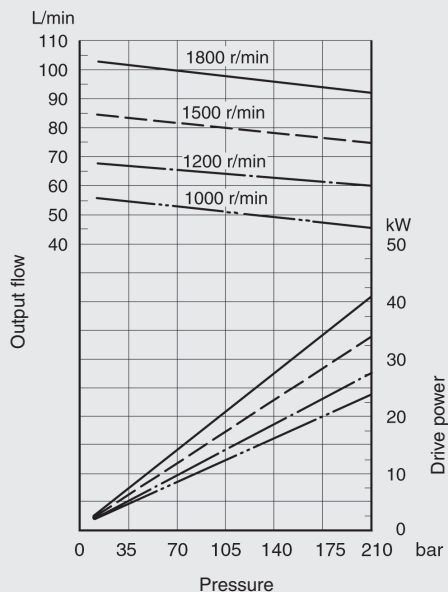
PVF101-2x-47/...
PVF101-x2-.../47...



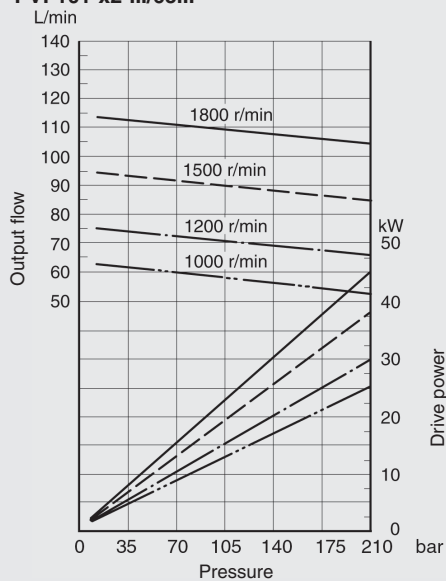
PVF101-2x-53/...
PVF101-x2-.../53...



PVF101-2x-59/...
PVF101-x2-.../59...



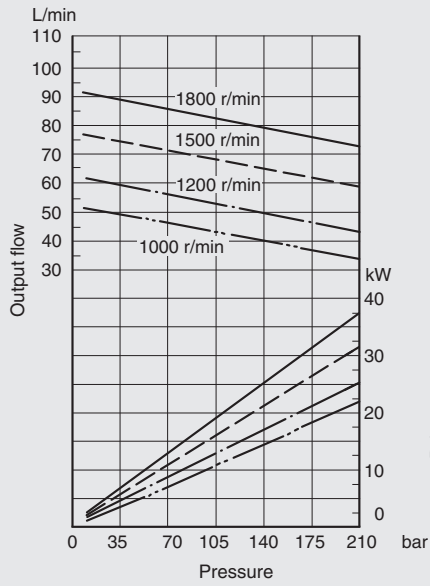
PVF101-2x-65/...
PVF101-x2-.../65...



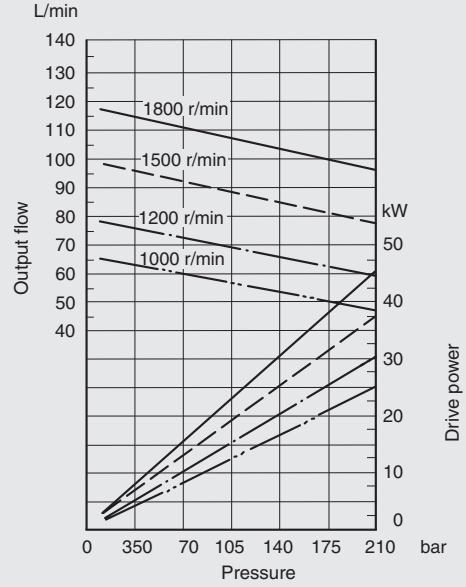
4.2.11 PVF101-3x- / PVF101-x3-

Performance characteristic curves
at viscosity 20 mm²/s (ISO VG32 oil, 50 °C)

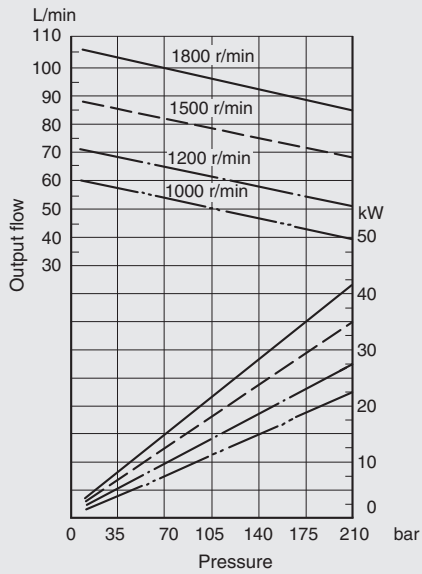
**PVF101-3x-52/...
PVF101-x3-.../52...**



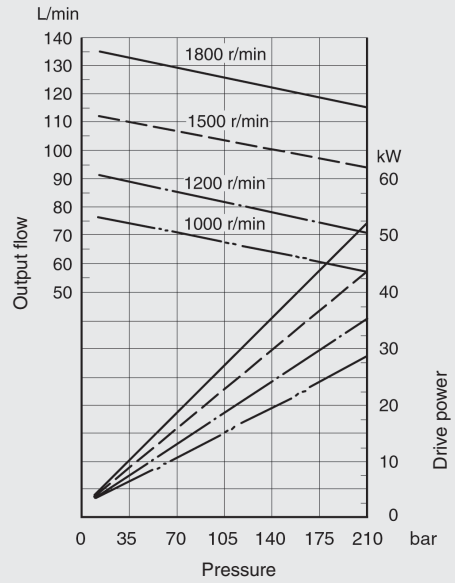
**PVF101-3x-66/...
PVF101-x3-.../66...**



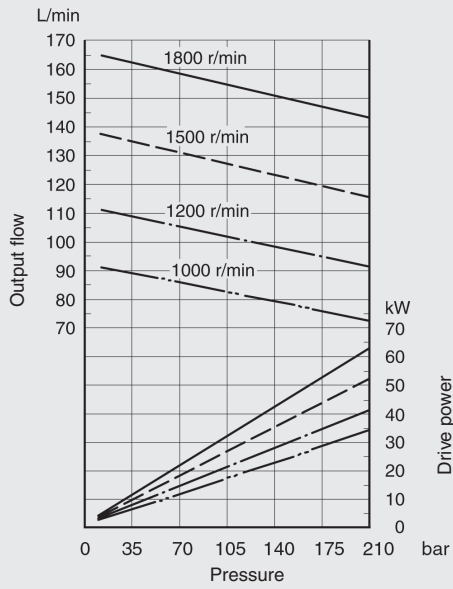
**PVF101-3x-60/...
PVF101-x3-.../60...**



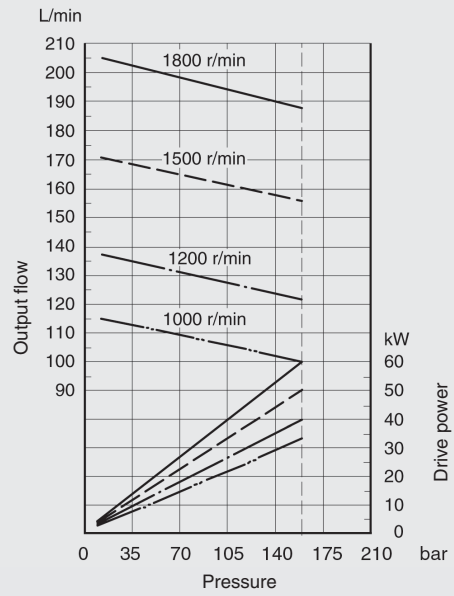
**PVF101-3x-76/...
PVF101-x3-.../76...**



PVF101-3x-94/...
PVF101-x3-.../94...



PVF101-3x-116/...
PVF101-x3-.../116...

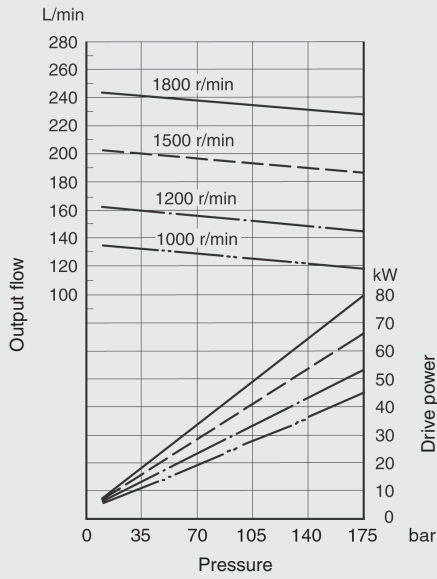


4.2.12 PVF101-x4-

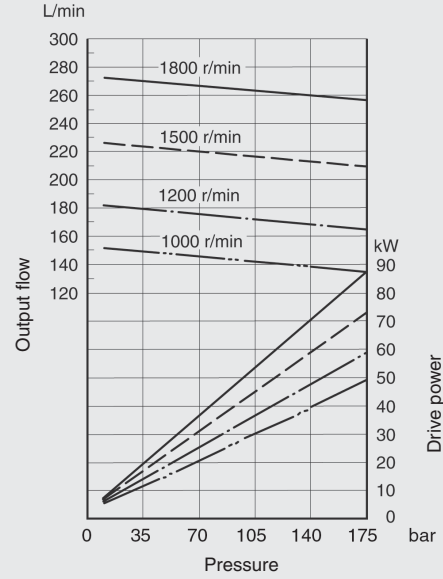
Performance characteristic curves

at viscosity 20 mm²/s (ISO VG32 oil, 50 °C)

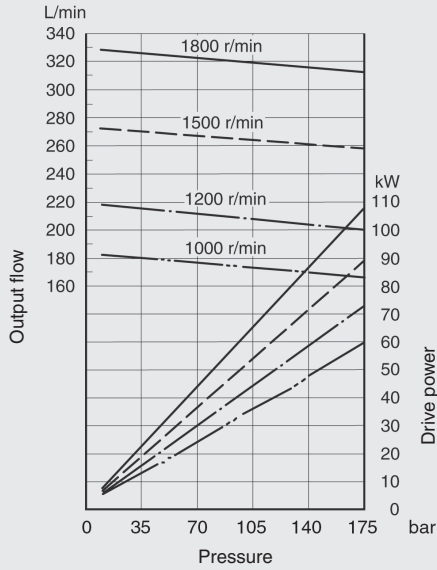
PVF101-x4-.../136...



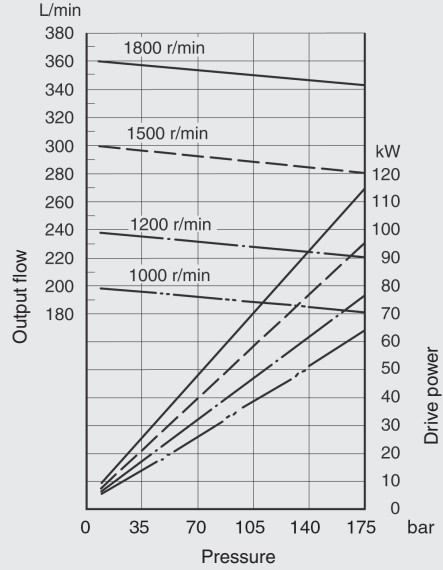
PVF101-x4-.../153...



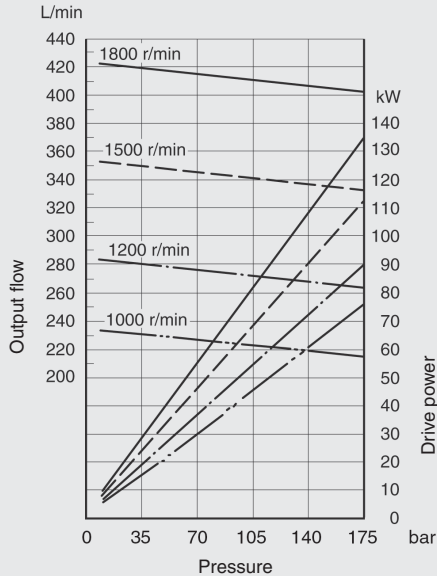
PVF101-x4-.../184...



PVF101-x4-.../200...



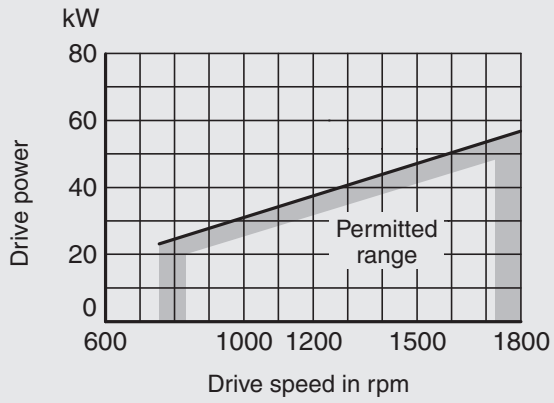
PVF101-x4-.../237...



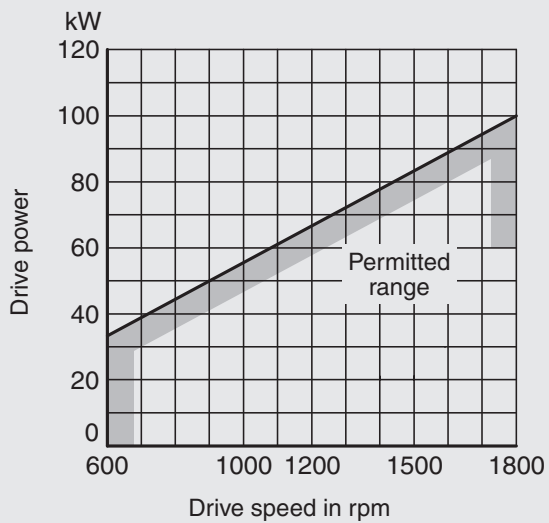
4.2.13 Power limitations

The maximum drive power for sizes PVF101-12 and PVF101-33 is limited, depending on the motor speed.

PVF101-12 – Max. drive power

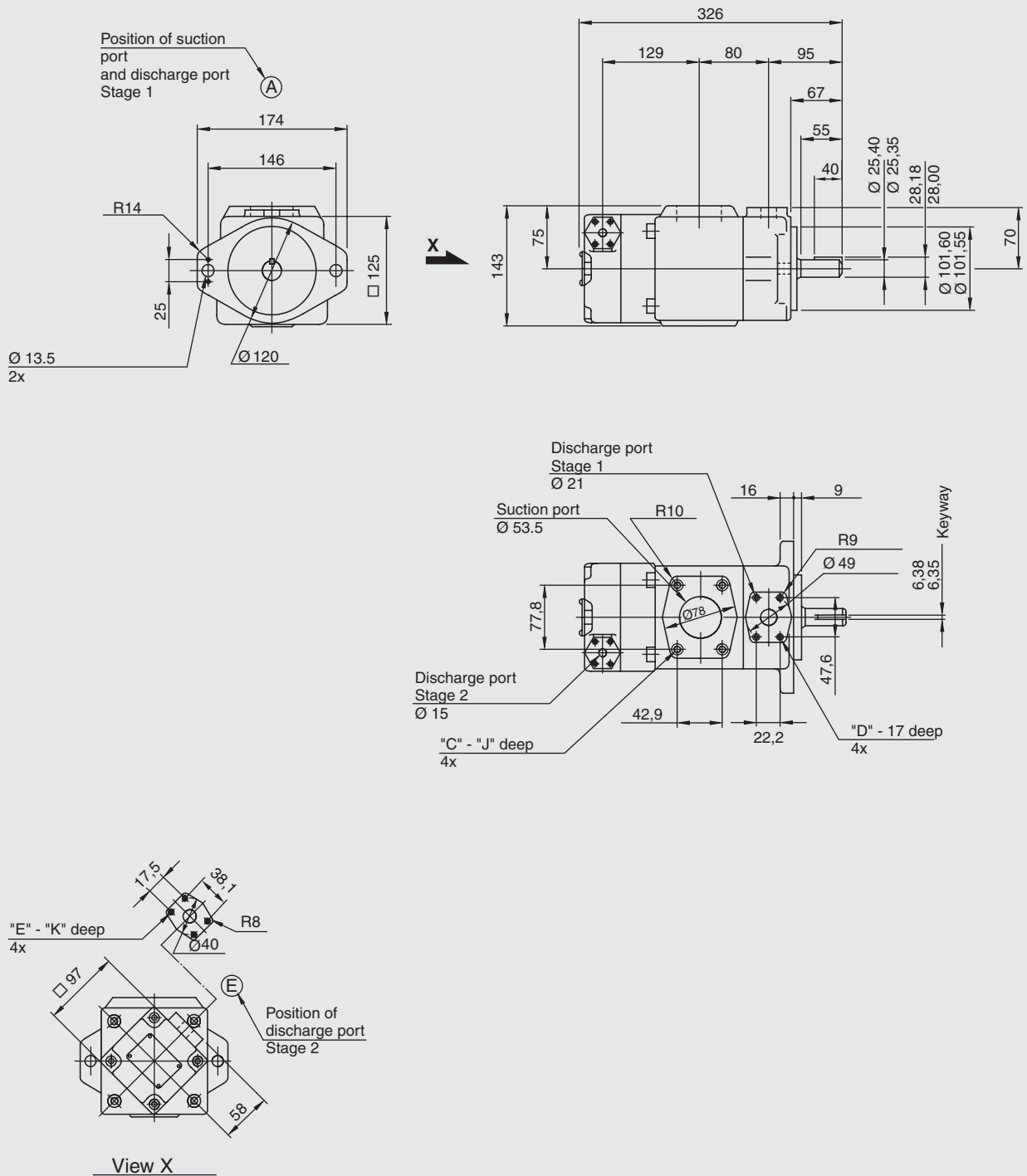


PVF101-33 – Max. drive power



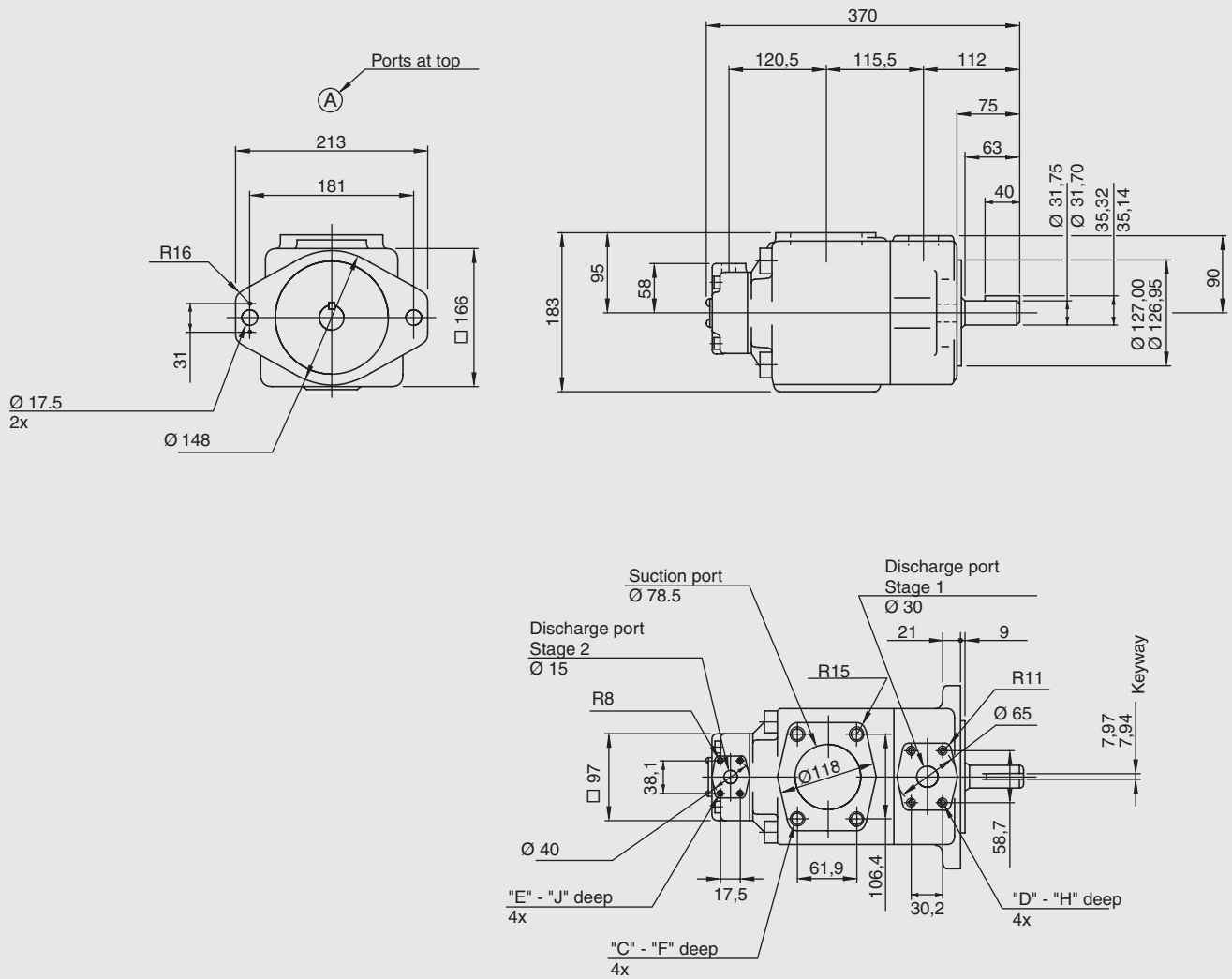
DIMENSIONS

4.2.14 PVF101-12-



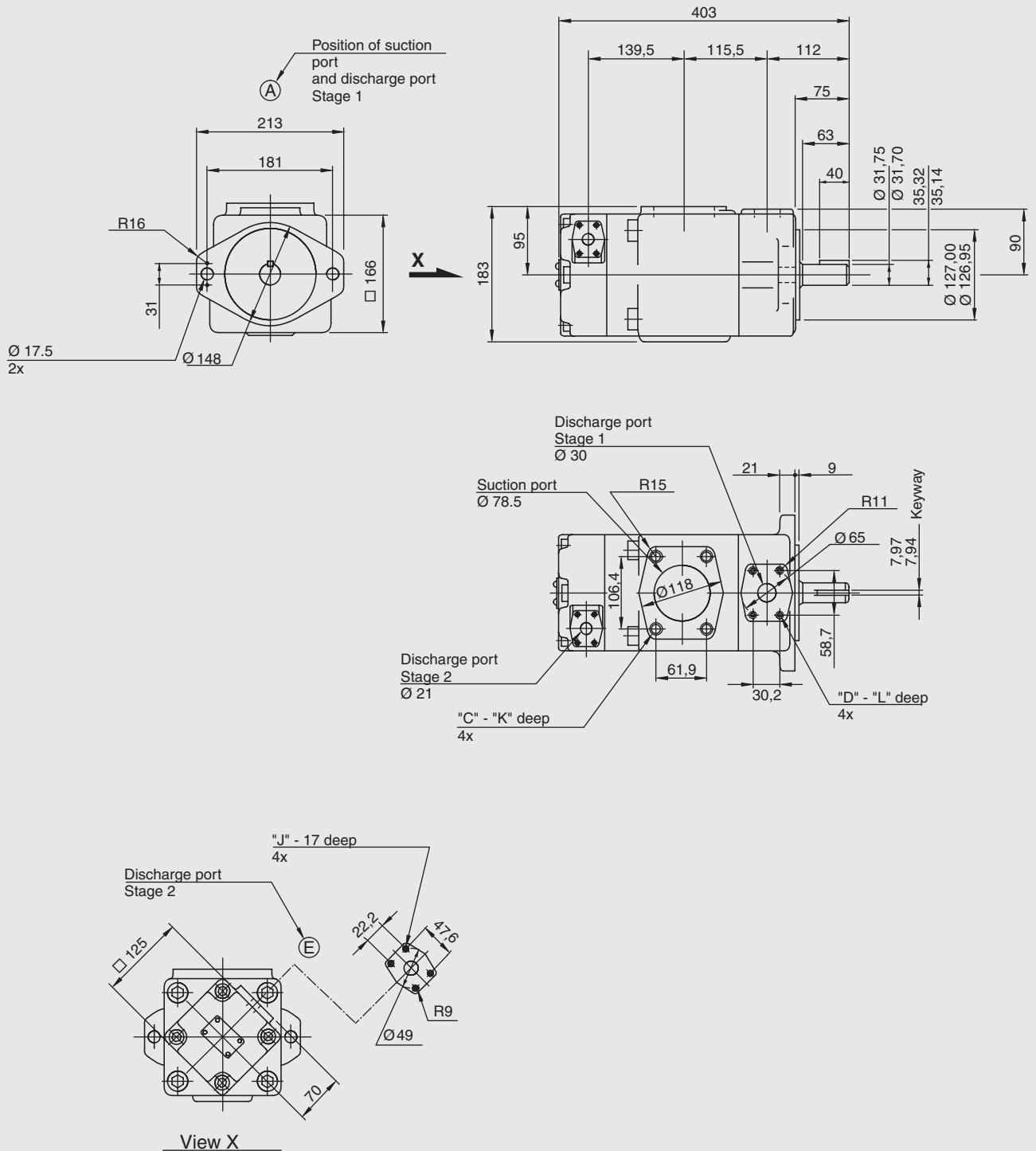
Design Standard	"C" Thread	"D" Thread	"E" Thread	J mm	K mm
PVF101-12-...42 European Standard	M12	M10	M8	19	14
PVF101-12-...4290 US Standard	1/2-13 UNC	3/8-16 UNC	5/16-18 UNC	21	16

4.2.15 PVF101-13-



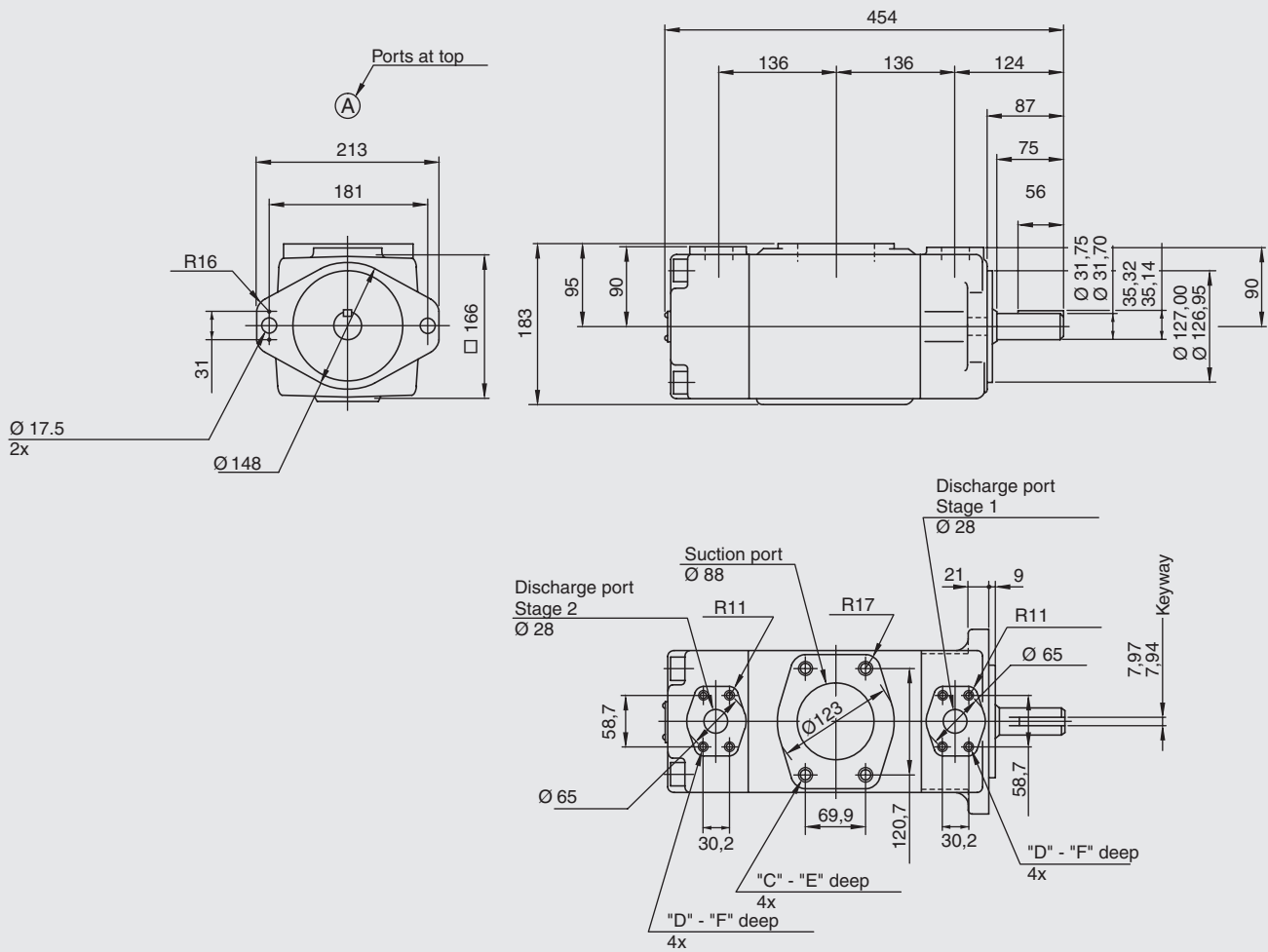
Design Standard	"C" Thread	"D" Thread	"E" Thread	F mm	H mm	J mm
PVF101-13-...42 European Standard	M16	M10	M8	19	19	14
PVF101-13-...4290 US Standard	5/8-11 UNC	7/16-14 UNC	5/16-18 UNC	21	20	16

4.2.16 PVF101-23-



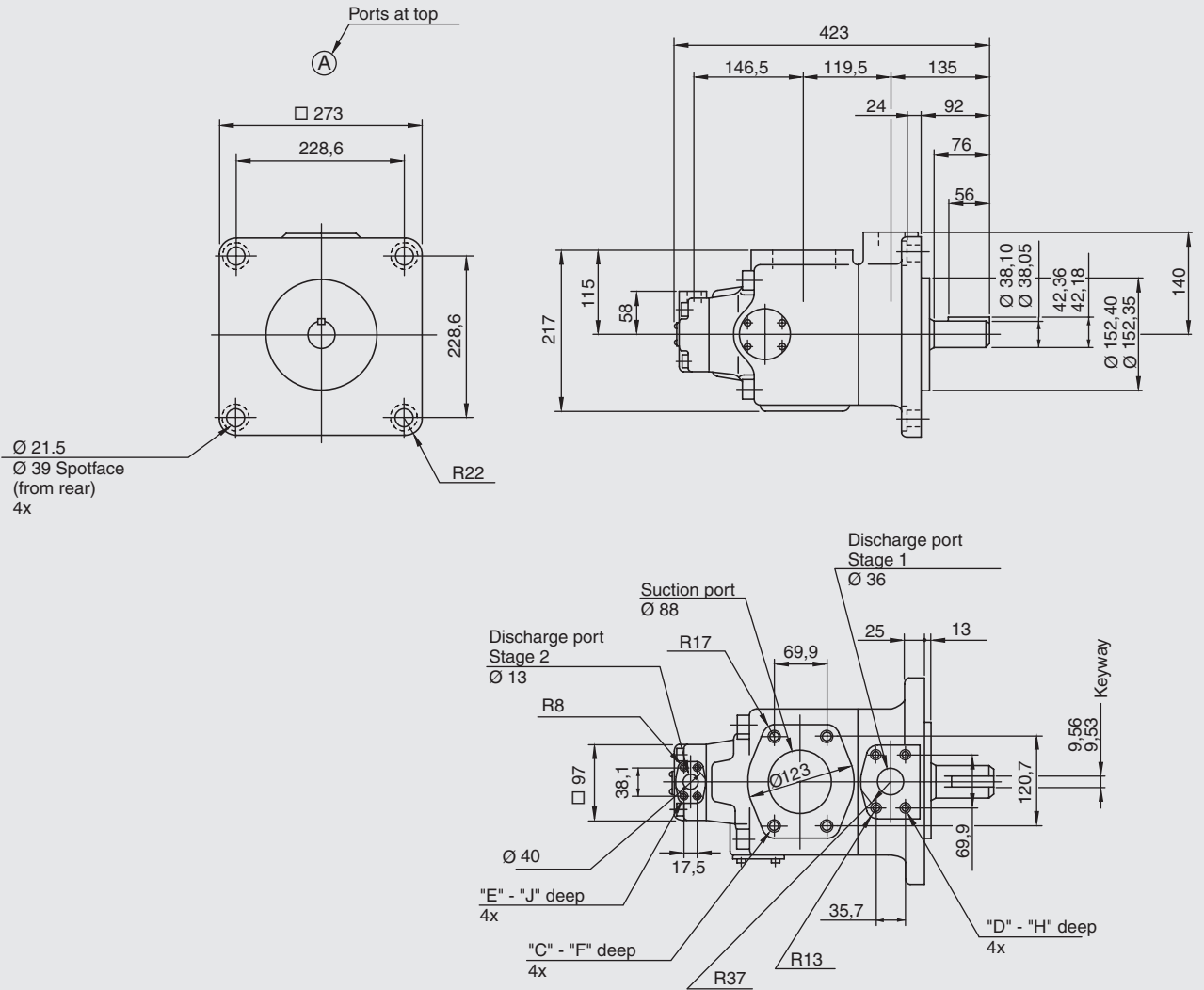
Design Standard	"C" Thread	"D" Thread	"J" Thread	K mm	L mm
PVF101-23-...41 European Standard	M16	M10	M10	19	19
PVF101-23-...4190 US Standard	5/8-11 UNC	7/16-14 UNC	3/8-16 UNC	21	20

4.2.17 PVF101-33-



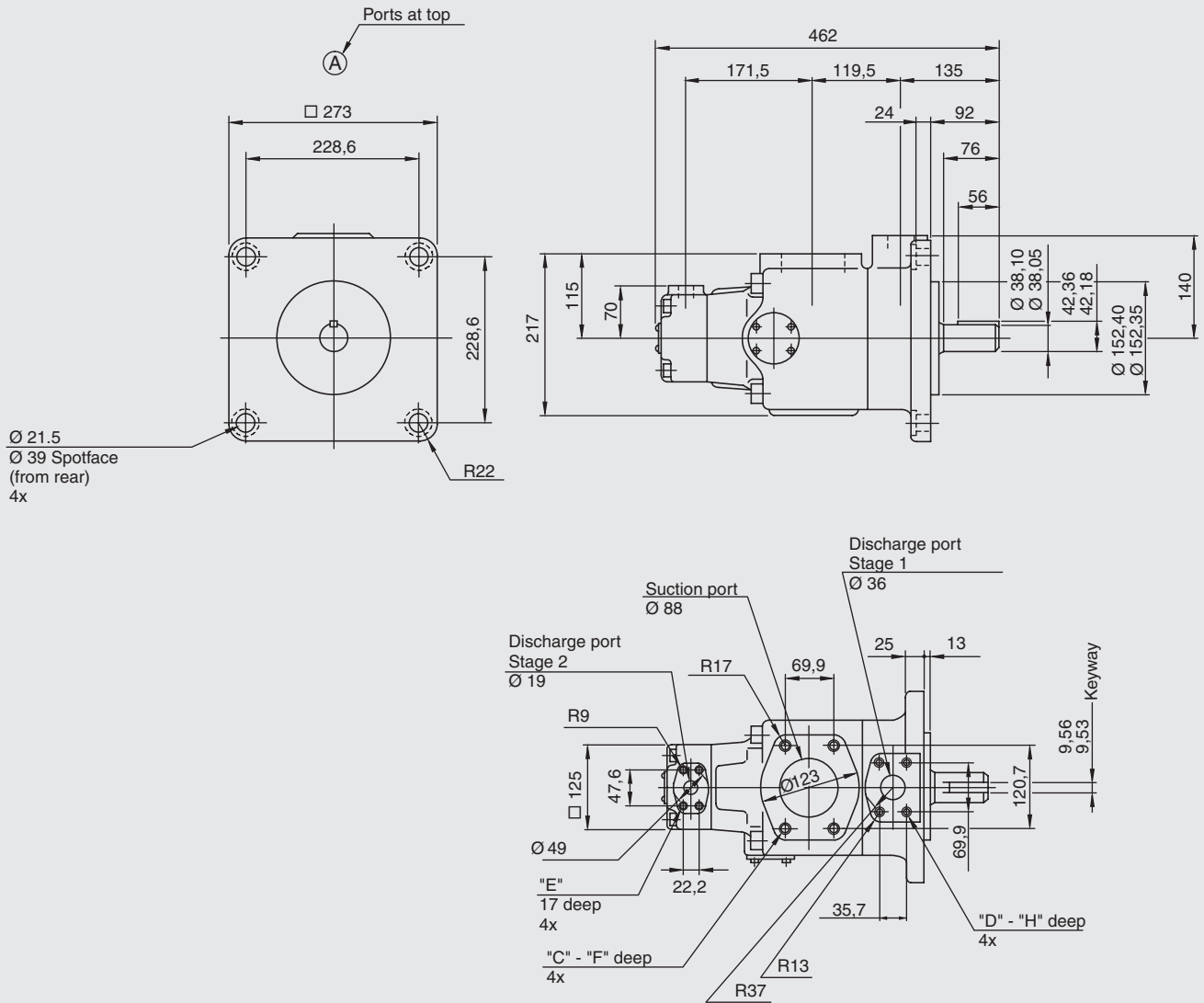
Design Standard	"C" Thread	"D" Thread	E mm	F mm
PVF101-33-...31 European Standard	M16	M10	19	19
PVF101-33-...3190 US Standard	5/8-11 UNC	7/16-14 UNC	21	20

4.2.18 PVF101-14-



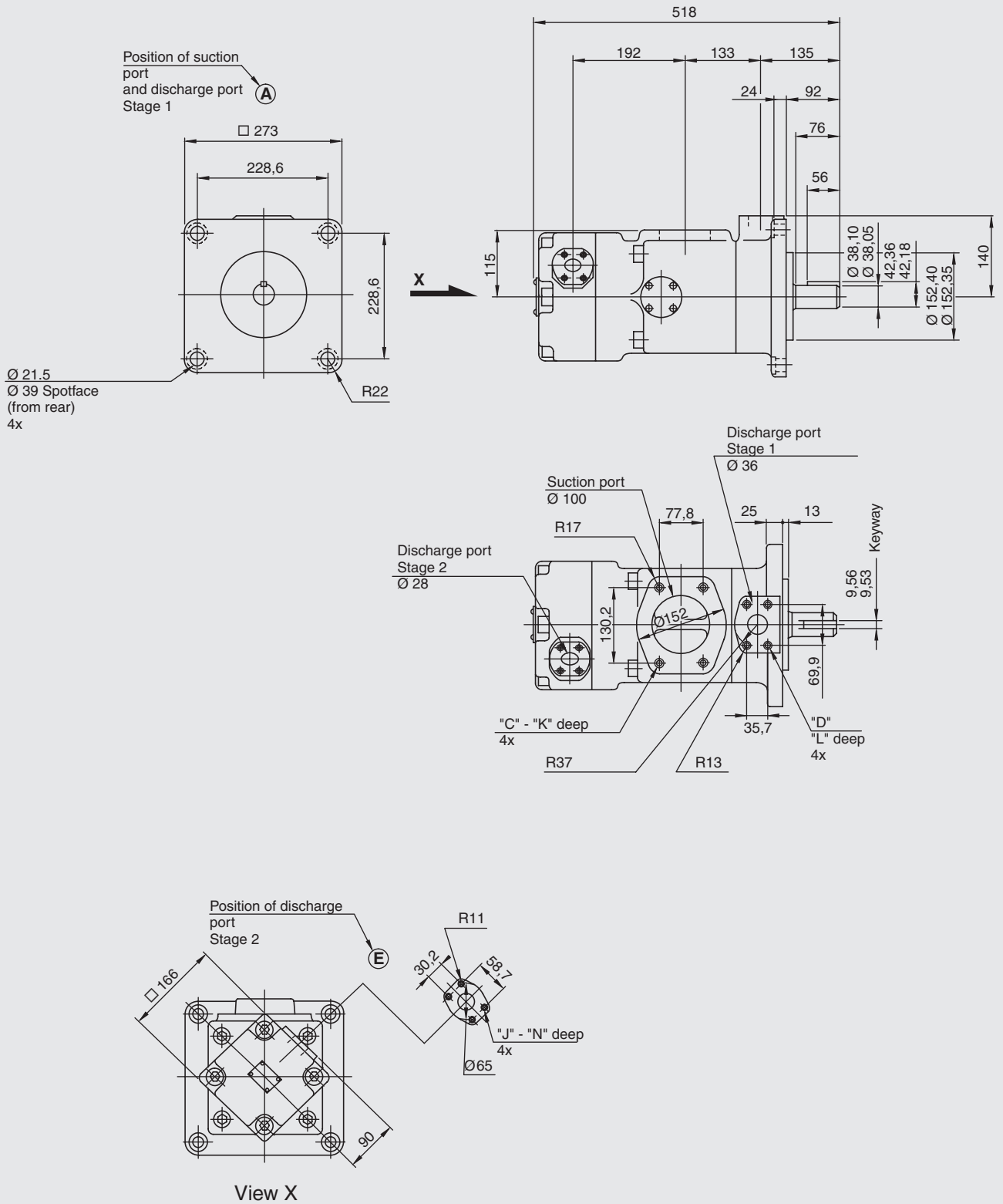
Design Standard	"C" Thread	"D" Thread	"E" Thread	F mm	H mm	J mm
PVF101-14-...32 European Standard	M16	M12	M8	19	19	14
PVF101-14-...3290 US Standard	5/8-11 UNC	1/2-13 UNC	5/16-18 UNC	21	21	16

4.2.19 PVF101-24-



Design Standard	"C" Thread	"D" Thread	"E" Thread	F mm	H mm
PVF101-24-...31 European Standard	M16	M12	M10	19	19
PVF101-24-...3190 US Standard	5/8-11 UNC	1/2-13 UNC	3/8-16 UNC	21	21

4.2.20 PVF101-34-



Design Standard	"C" Thread	"D" Thread	"J" Thread	K mm	L mm	N mm
PVF101-34-...31 European Standard	M16	M12	M8	19	19	19
PVF101-34-...3190 US Standard	5/8-11 UNC	1/2-13 UNC	7/16-14 UNC	21	21	20

