

HYDAC INTERNATIONAL



HYDAC Accessories: Buyer's guide

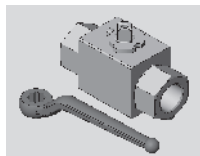


**Order direct
by phone, fax or email.**

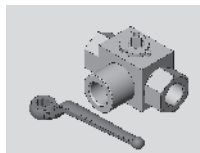
The benefits to you:

- Products immediately available,
- Easy to order using part number,
- Renowned "Made in Germany" quality,
- Over 50 years of experience in hydraulics.

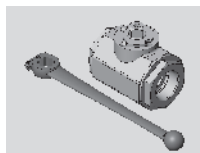
HYDAC Accessories: Product range overview



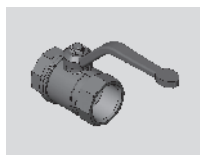
High pressure ball valves,
steel



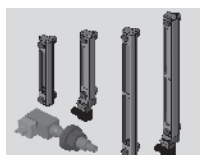
Change-over ball valves,
steel



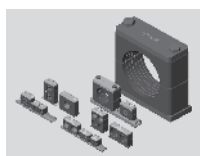
High pressure ball valves,
stainless steel



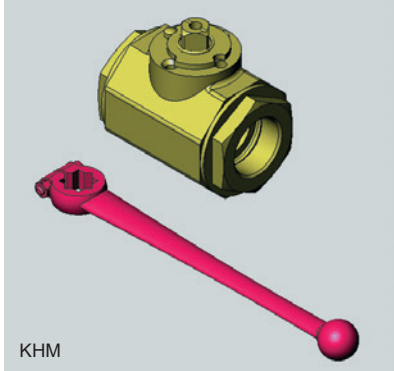
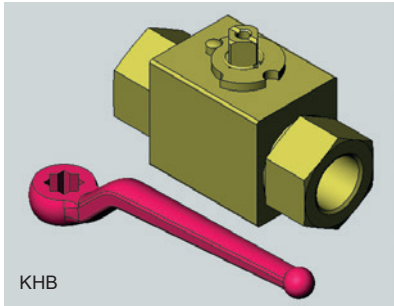
Low pressure ball valves



Gauges, switches



Mounting clamps,
overview



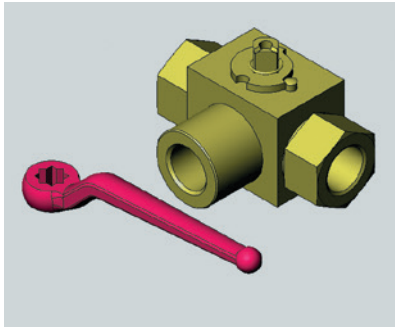
HYDAC Accessories: High pressure ball valves, steel

2/2-way ball valves KHB / KHM Steel

Features:

- ▄ Seals: Ball (POM), O-ring (NBR)
- ▄ High pressure version up to 500 bar
- ▄ Full port
- ▄ Zinc-plated
- ▄ Connections in G, LR, SR
- ▄ Temperature resistant from -10 °C to +80 °C
- ▄ Handle in aluminium (straight 01), Zinc die-cast (cranked 04)

Type of connection	DN	Designation	Handle	Part no.	Length in mm	PN in bar
G	06	KHB-G1/4	04	3288786	69	500
	10	KHB-G3/8	04	700950	72	500
	13	KHB-G1/2	04	851728	84	500
	16	KHB-G1/2	01	855871	83	420
	20	KHB-G3/4	01	552762	95	420
	25	KHB-G1	01	850711	113	420
	32	KHM-G1 1/4	01	704244	110	420
	40	KHM-G1 1/2	01	707867	130	420
	50	KHM-G2	01	851964	140	420
	LR	04	KHB-06LR	04	3288754	67
06		KHB-08LR	04	3288813	67	500
08		KHB-10LR	04	855967	74	500
10		KHB-12LR	04	704200	74	500
13		KHB-15LR	04	704800	82	500
16		KHB-18LR	01	851913	82	420
20		KHB-22LR	01	707868	101	420
25		KHB-28LR	01	707869	108	420
32		KHM-35LR	01	851670	141	420
40		KHM-42LR	01	707870	162	420
SR	04	KHB-08SR	04	3288829	73	500
	06	KHB-10SR	04	3288837	73	500
	08	KHB-12SR	04	855414	76	500
	13	KHB-16SR	04	854996	86	500
	16	KHB-20SR	01	700602	90	420
	20	KHB-25SR	01	700819	109	420
	25	KHB-30SR	01	707722	120	420
	32	KHM-38SR	01	850700	153	420



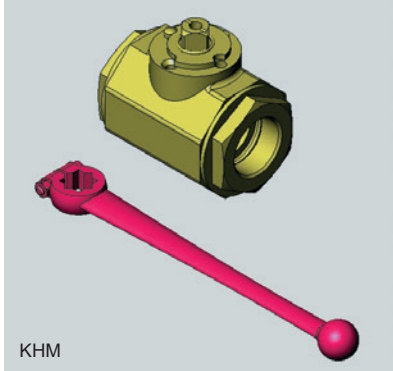
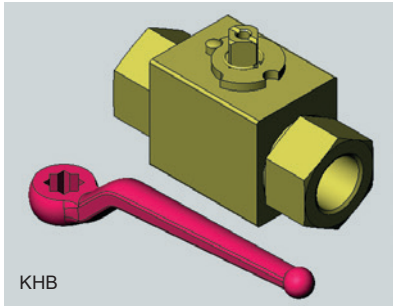
HYDAC Accessories: Change-Over ball valves, steel

3/2-way ball valves KHB3K-L Steel

Features:

- ▮ Seals: Ball (POM), O-ring (NBR)
- ▮ High pressure version up to 500 bar
- ▮ Full port
- ▮ Zinc-plated
- ▮ Connections in G, LR, SR
- ▮ Temperature resistant from -10 °C to +80 °C
- ▮ Handle in aluminium (straight 01),
Zinc die-cast (cranked 04)

Type of connection	DN	Designation	Handle	Part no.	Length in mm	PN in bar
G	06	KHB3K-G1/4-L	04	3398119	69	500
	10	KHB3K-G3/8-L	04	703308	72	500
	13	KHB3K-G1/2-L	04	703309	84	500
	16	KHB3K-G1/2-L	01	557811	83	400
	20	KHB3K-G3/4-L	01	702891	95	315
	25	KHB3K-G1-L	01	398948	113	315
LR	08	KHB3K-10LR-L	04	3007101	74	500
	10	KHB3K-12LR-L	04	703307	74	500
	13	KHB3K-15LR-L	04	703373	82	500
SR	04	KHB3K-08SR-L	04	3289217	73	500
	06	KHB3K-10SR-L	04	3288900	73	500
	08	KHB3K-12SR-L	04	3015948	76	500
	13	KHB3K-16SR-L	04	3015950	86	500



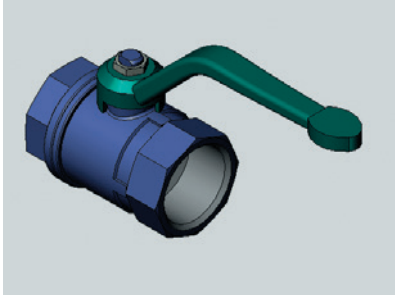
HYDAC Accessories: High pressure ball valves, stainless steel

2/2-way ball valves KHB / KHM Stainless steel

Features:

- ▄ High pressure version up to 500 bar
- ▄ Full port
- ▄ Connections in G, LR, SR
- ▄ Temperature resistant from -20 °C to +80 °C
- ▄ Handle in aluminium (straight 01)
- ▄ Seals: Ball (POM), O-ring (VITON)

Type of connection	DN	Designation	Handle	Part no.	Length in mm	PN in bar	
G	06	KHB-G1/4	01	3778924	69	500	
	10	KHB-G3/8	01	3778925	72	500	
	16	KHB-G1/2	01	3778927	83	400	
	20	KHB-G3/4	01	3778928	95	350	
	25	KHB-G1	01	3778929	113	350	
	32	KHM-G11/4	01	851547	110	350	
	40	KHM-G11/2	01	851548	130	350	
	50	KHM-G2	01	398246	140	350	
	LR	04	KHB-06LR	01	3778930	67	500
		06	KHB-08LR	01	3778931	67	500
08		KHB-10LR	01	3778932	74	500	
10		KHB-12LR	01	3778933	74	500	
13		KHB-15LR	01	3778934	82	500	
16		KHB-18LR	01	3778955	82	400	
20		KHB-22LR	01	3778956	101	350	
25		KHB-28LR	01	3778959	108	350	
32		KHM-35LR	01	398243	141	350	
40		KHM-42LR	01	855253	162	350	
SR	04	KHB-08SR	01	3778960	73	500	
	06	KHB-10SR	01	3778961	73	500	
	08	KHB-12SR	01	3778962	76	500	
	13	KHB-16SR	01	3778964	86	500	
	16	KHB-20SR	01	3778965	90	400	
	20	KHB-25SR	01	3778966	109	350	
	25	KHB-30SR	01	33778967	120	350	
	32	KHM-38SR	01	851550	153	350	



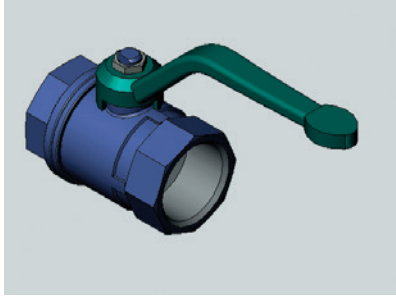
HYDAC Accessories: Low pressure ball valves

2/2-way low pressure ball valves KHNVN / KHNVS Brass

Features:

- Cost-competitive version
- Handle in aluminium (cranked 12°)
- With PTFE sealing cups
- Suitable for water, air and nitrogen

Type of connection	DN	Designation	Part no.	Length in mm	PN in bar
G	16	KHNVN-G1/2-2233-12X	702152	50.5	50
	20	KHNVN-G3/4-2233-12X	702153	57.5	40
	25	KHNVN-G1-2233-12X	702154	70	40
	32	KHNVN-G11/4-2233-12X	702155	80.5	30
	40	KHNVN-G11/2-2233-12X	702156	94	30
	50	KHNVN-G2-2233-12X	702157	112.5	25
	Rp	06	KHNVS-Rp1/4-2233-12X	702164	49.5
10		KHNVS-Rp3/8-2233-12X	702165	52.5	50
16		KHNVS-Rp1/2-2233-12X	551093	61	50
20		KHNVS-Rp3/4-2233-12X	551094	68	40
25		KHNVS-Rp1-2233-12X	551095	85	40
32		KHNVS-Rp11/4-2233-12X	551096	99.5	30
40		KHNVS-Rp11/2-2233-12X	551097	109	30
50		KHNVS-Rp2-2233-12X	551098	130	25
65		KHNVS-Rp21/2-2233-12X	702172	152	25
80		KHNVS-Rp3-2233-12X	702173	177	25



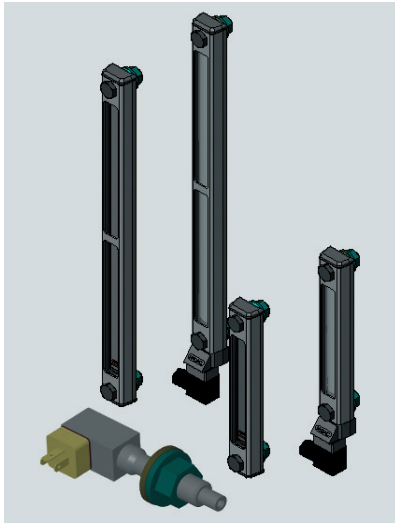
HYDAC Accessories: Low pressure ball valves

2/2-way low pressure ball valves
KHNVN / KHNVS
Stainless steel

Features:

- Cost-competitive version
- Handle in stainless steel (cranked 18)
- With PTFE sealing cups
- Suitable for water, air and nitrogen

Type of connection	DN	Designation	Part no.	Length in mm	PN in bar	
G	06	KHNVN-G1/4-3333-18X	398344	53.5	63	
	10	KHNVN-G3/8-3333-18X	398345	53.5	63	
	16	KHNVN-G1/2-3333-18X	398346	60	63	
	20	KHNVN-G3/4-3333-18X	398347	70	63	
	25	KHNVN-G1-3333-18X	398348	79	50	
	32	KHNVN-G11/4-3333-18X	398349	91	50	
	40	KHNVN-G11/2-3333-18X	397686	103	40	
	50	KHNVN-G2-3333-18X	398350	124	40	
	Rp	04	KHNVS-Rp1/8-3333-18X	702434	55	140
		06	KHNVS-Rp1/4-3333-18X	702402	55	140
10		KHNVS-Rp3/8-3333-18X	702403	55	140	
16		KHNVS-Rp1/2-3333-18X	702404	66	140	
20		KHNVS-Rp3/4-3333-18X	702405	79	105	
25		KHNVS-Rp1-3333-18X	702406	93	105	
32		KHNVS-Rp11/4-3333-18X	702407	100	64	
40		KHNVS-Rp11/2-3333-18X	702408	110	64	
50		KHNVS-Rp2-3333-18X	702409	131	64	



HYDAC Accessories: Gauges, switches

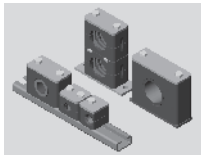
Fluid level gauge **FSA**
 Fluid level sensor **FSK**
 Temperature switch **TS/TS-L**

Features:

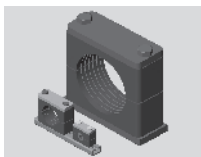
- Impact and scratch resistant
- Highly resistant to leakage
- Precise fluid level gauge
- Very easy to see fluid level
- Working temperature up to 80 °C
- Highly reliable due to potted connector in protection class IP64

Type	Size = centre distance of bolts	Designation	Part no.	
FSA	NG 76	FSA-076-1.X/-/12	700000	
	NG 76	FSA-076-1.X/T/12	700004	
	NG 127	FSA-127-1.X/-/12	700036	
	NG 127	FSA-127-1.X/T/12	700040	
	NG 176	FSA-176-1.X/-/12	700113	
	NG 176	FSA-176-1.X/T/12	700116	
	NG 254	FSA-254-1.X/-/12	700072	
	NG 254	FSA-254-1.X/T/12	700076	
	NG 381	FSA-381-1.X/-/12	700095	
	NG 381	FSA-381-1.X/T/12	700125	
	TS	M 12	TS-60/X/12	3233817
		M 12	TS-70/X/12	3233820
M 12		TS-80/X/12	3243251	
FSK	NG 127	FSK-127-2.5/C/-/12	3112276	
	NG 127	FSK-127-2.5/O/-/12	3070285	
	NG 176	FSK-176-2.5/C/-/12	3112299	
	NG 176	FSK-176-2.5/O/-/12	3112231	
	NG 254	FSK-254-2.5/C/-/12	3112303	
	NG 254	FSK-254-2.5/O/-/12	3112302	
	NG 381	FSK-381-2.5/C/-/12	3112307	
	NG 381	FSK-381-2.5/O/-/12	3112306	
	TS-L	M 12	TS-L-60/X/12	3252752
		M 12	TS-L-70/X/12	3252766
M 12		TS-L-80/X/12	3252767	

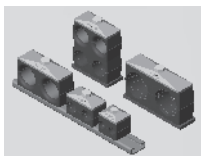
**HYDAC Accessories:
Mounting clamps,
overview**



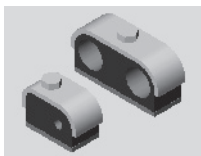
Light range DIN 3015
Part 1



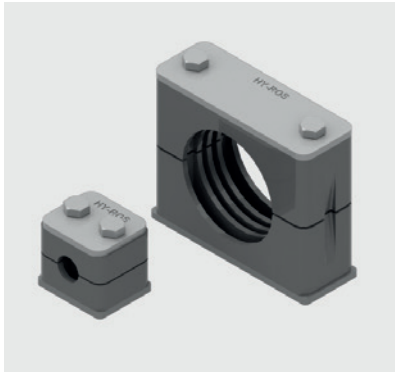
Heavy range DIN 3015
Part 2



Twin clamps DIN 3015
Part 3



Buegu clamp



HYDAC Accessories: Mounting clamps

Light range HRL
DIN 3015 Part 1
Type: Internal surface ribbed

Features:

- I International standard
- I Worldwide availability

Size	Pipe diameter Ø in mm	Designation	Part no.
1	6	HRL 1 A 6 PP ST M BL	423127
	6.4	HRL 1 A 6.4 PP ST M BL	423128
	8	HRL 1 A 8 PP ST M BL	423129
	9.5	HRL 1 A 9.5 PP ST M BL	423130
	10	HRL 1 A 10 PP ST M BL	423131
	12	HRL 1 A 12 PP ST M BL	423132
2	12.7	HRL 2 A 12.7 PP ST M BL	423133
	13.7	HRL 2 A 13.7 PP ST M BL	423134
	14	HRL 2 A 14 PP ST M BL	423135
	15	HRL 2 A 15 PP ST M BL	423136
	16	HRL 2 A 16 PP ST M BL	423137
	17.1	HRL 2 A 17.1 PP ST M BL	423138
3	18	HRL 2 A 18 PP ST M BL	423139
	19	HRL 3 A 19 PP ST M BL	423140
	20	HRL 3 A 20 PP ST M BL	423141
	21.3	HRL 3 A 21.3 PP ST M BL	423142
	22	HRL 3 A 22 PP ST M BL	423143
	23	HRL 3 A 23 PP ST M BL	423144
4	25	HRL 3 A 25 PP ST M BL	423145
	25.4	HRL 3 A 25.4 PP ST M BL	423146
	26.9	HRL 4 A 26.9 PP ST M BL	423147
	28	HRL 4 A 28 PP ST M BL	423148
	30	HRL 4 A 30 PP ST M BL	423149
	5	32	HRL 5 A 32 PP ST M BL
33.7		HRL 5 A 33.7 PP ST M BL	423151
35		HRL 5 A 35 PP ST M BL	423152
38		HRL 5 A 38 PP ST M BL	423153
40		HRL 5 A 40 PP ST M BL	423154
42		HRL 5 A 42 PP ST M BL	423155
6	44.5	HRL 6 A 44.5 PP ST M BL	423156
	48.3	HRL 6 A 48.3 PP ST M BL	423157
	50.8	HRL 6 A 50.8 PP ST M BL	423158



HYDAC Accessories: Mounting clamps

Light range **HRGL**
DIN 3015 Part 1
Type: Internal surface smooth

Features:

- International standard
- Worldwide availability

Size	Pipe diameter Ø in mm	Designation	Part no.
1	6	HRGL 1 A 6 PP ST M BL	439815
	8	HRGL 1 A 8 PP ST M BL	439817
	9.5	HRGL 1 A 9.5 PP ST M BL	439818
	10	HRGL 1 A 10 PP ST M BL	439819
	12	HRGL 1 A 12 PP ST M BL	439820
2	12.7	HRGL 2 A 12.7 PP ST M BL	439875
	13.7	HRGL 2 A 13.7 PP ST M BL	439876
	14	HRGL 2 A 14 PP ST M BL	439877
	15	HRGL 2 A 15 PP ST M BL	439878
	16	HRGL 2 A 16 PP ST M BL	439879
	17.1	HRGL 2 A 17.1 PP ST M BL	439880
	18	HRGL 2 A 18 PP ST M BL	439881
3	19	HRGL 3 A 19 PP ST M BL	439945
	20	HRGL 3 A 20 PP ST M BL	439946
	21.3	HRGL 3 A 21.3 PP ST M BL	439947
	22	HRGL 3 A 22 PP ST M BL	439948
	23	HRGL 3 A 23 PP ST M BL	439949
	25	HRGL 3 A 25 PP ST M BL	439950
	25.4	HRGL 3 A 25.4 PP ST M BL	439951
4	26.9	HRGL 4 A 26.9 PP ST M BL	440015
	28	HRGL 4 A 28 PP ST M BL	440016
	30	HRGL 4 A 30 PP ST M BL	440017
5	32	HRGL 5 A 32 PP ST M BL	440045
	33.7	HRGL 5 A 33.7 PP ST M BL	440046
	35	HRGL 5 A 35 PP ST M BL	440047
	38	HRGL 5 A 38 PP ST M BL	440048
	40	HRGL 5 A 40 PP ST M BL	440049
	42	HRGL 5 A 42 PP ST M BL	440050
6	44.5	HRGL 6 A 44.5 PP ST M BL	440105
	48.3	HRGL 6 A 48.3 PP ST M BL	440106
	50.8	HRGL 6 A 50.8 PP ST M BL	440107



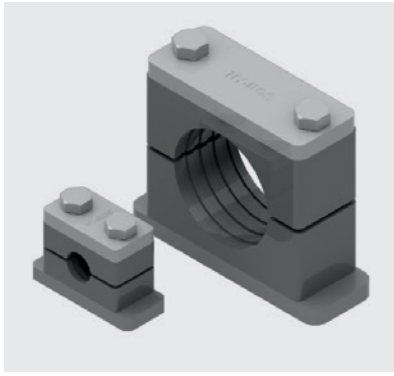
HYDAC Accessories: Mounting clamps

Light range HREL
DIN 3015 Part 1
Type: With elastomer insert

Features:

- International standard
- Worldwide availability

Size	Pipe diameter Ø in mm	Designation	Part no.	
4	6	HREL 4 A 6 PP ST M BL	435001	
	8	HREL 4 A 8 PP ST M BL	435002	
	10	HREL 4 A 10 PP ST M BL	435003	
	12	HREL 4 A 12 PP ST M BL	435004	
	12.7	HREL 4 A 12.7 PP ST M BL	435005	
	14	HREL 4 A 14 PP ST M BL	435006	
	15	HREL 4 A 15 PP ST M BL	435007	
	16	HREL 4 A 16 PP ST M BL	435008	
	17.2	HREL 4 A 17.2 PP ST M BL	435009	
	18	HREL 4 A 18 PP ST M BL	444515	
	19	HREL 4 A 19 PP ST M BL	435010	
	6	20	HREL 6 A 20 PP ST M BL	435641
		21.3	HREL 6 A 21.3 PP ST M BL	3001709
22		HREL 6 A 22 PP ST M BL	435642	
23		HREL 6 A 23 PP ST M BL	445027	
25		HREL 6 A 25 PP ST M BL	435643	
26.9		HREL 6 A 26.9 PP ST M BL	435644	
28		HREL 6 A 28 PP ST M BL	435645	
30		HREL 6 A 30 PP ST M BL	435646	
32		HREL 6 A 32 PP ST M BL	435647	



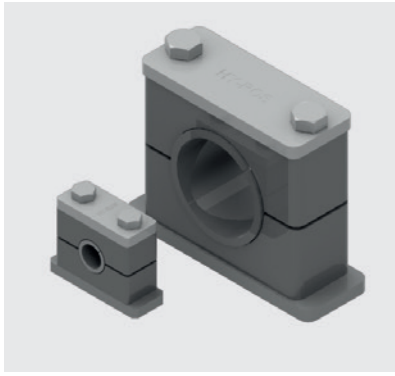
HYDAC Accessories: Mounting clamps

Heavy range HRS
DIN 3015 Part 2
Type: Internal surface ribbed

Features:

- I International standard
- I Worldwide availability

Size	Pipe diameter Ø in mm	Designation	Part no.
1	6	HRS 1 S 6 PP ST M BL	420000
	6.4	HRS 1 S 6.4 PP ST M BL	420001
	8	HRS 1 S 8 PP ST M BL	420002
	9.5	HRS 1 S 9.5 PP ST M BL	420003
	10	HRS 1 S 10 PP ST M BL	420004
	12	HRS 1 S 12 PP ST M BL	420006
	12.7	HRS 1 S 12.7 PP ST M BL	420007
	13.7	HRS 1 S 13.7 PP ST M BL	420008
	14	HRS 1 S 14 PP ST M BL	420009
	15	HRS 1 S 15 PP ST M BL	420010
	16	HRS 1 S 16 PP ST M BL	420011
	17.1	HRS 1 S 17.1 PP ST M BL	420012
	18	HRS 1 S 18 PP ST M BL	420013
2	19	HRS 2 S 19 PP ST M BL	420014
	20	HRS 2 S 20 PP ST M BL	420015
	21.3	HRS 2 S 21.3 PP ST M BL	420016
	22	HRS 2 S 22 PP ST M BL	420017
	25	HRS 2 S 25 PP ST M BL	420018
	25.4	HRS 2 S 25.4 PP ST M BL	420019
	26.9	HRS 2 S 26.9 PP ST M BL	420020
	28	HRS 2 S 28 PP ST M BL	420021
	30	HRS 2 S 30 PP ST M BL	441349
	3	30	HRS 3 S 30 PP ST M BL
32		HRS 3 S 32 PP ST M BL	420023
33.7		HRS 3 S 33.7 PP ST M BL	420024
35		HRS 3 S 35 PP ST M BL	420025
38		HRS 3 S 38 PP ST M BL	420026
40		HRS 3 S 40 PP ST M BL	420027
42		HRS 3 S 42 PP ST M BL	420028
4	38	HRS 4 S 38 PP ST M BL	420030
	42	HRS 4 S 42 PP ST M BL	420031
	44.5	HRS 4 S 44.5 PP ST M BL	420032
	48.3	HRS 4 S 48.3 PP ST M BL	420033
	50.8	HRS 4 S 50.8 PP ST M BL	420034
	55	HRS 4 S 55 PP ST M BL	441571
	57	HRS 4 S 57 PP ST M BL	3784247
	60.3	HRS 4 S 60.3 PP ST M BL	420037
	63.5	HRS 4 S 63.5 PP ST M BL	441578
	65	HRS 4 S 65 PP ST M BL	420038
70	HRS 4 S 70 PP ST M BL	420039	



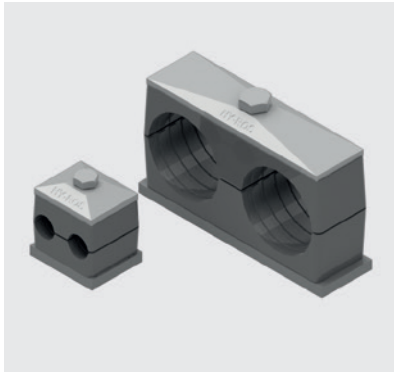
HYDAC Accessories: Mounting clamps

Heavy range HRES
DIN 3015 Part 2
Type: With elastomer insert

Features:

- I International standard
- I Worldwide availability

Size	Pipe diameter Ø in mm	Designation	Part no.
2	6	HRES 2 S 6 PP ST M BL	433457
	8	HRES 2 S 8 PP ST M BL	433458
	10	HRES 2 S 10 PP ST M BL	433459
	12	HRES 2 S 12 PP ST M BL	433460
	12.7	HRES 2 S 12.7 PP ST M BL	433461
	14	HRES 2 S 14 PP ST M BL	433462
	15	HRES 2 S 15 PP ST M BL	433463
	16	HRES 2 S 16 PP ST M BL	433464
	17.2	HRES 2 S 17.2 PP ST M BL	433465
	18	HRES 2 S 18 PP ST M BL	443460
	19	HRES 2 S 19 PP ST M BL	433466
3	20	HRES 3 S 20 PP ST M BL	433577
	22	HRES 3 S 22 PP ST M BL	433578
	25	HRES 3 S 25 PP ST M BL	433579
	26.9	HRES 3 S 26.9 PP ST M BL	433580
	28	HRES 3 S 28 PP ST M BL	433581
	30	HRES 3 S 30 PP ST M BL	433582
	32	HRES 3 S 32 PP ST M BL	433583
	33.7	HRES 4 S 33.7 PP ST M BL	433661
4	35	HRES 4 S 35 PP ST M BL	433662
	38	HRES 4 S 38 PP ST M BL	433663
	40	HRES 4 S 40 PP ST M BL	433664
	42	HRES 4 S 42 PP ST M BL	433665
	45.5	HRES 4 S 45.5 PP ST M BL	433666
	48	HRES 4 S 48 PP ST M BL	433667
	51	HRES 4 S 51 PP ST M BL	433668
	53.4	HRES 4 S 53.4 PP ST M BL	433669
5	56.4	HRES 4 S 56.4 PP ST M BL	433670
	60	HRES 5 S 60 PP ST M BL	433781
	65	HRES 5 S 65 PP ST M BL	436239
	70	HRES 5 S 70 PP ST M BL	433782



HYDAC Accessories: Mounting clamps

Twin clamp **HRZ**
DIN 3015 Part 3
Type: Internal surface ribbed

Features:

- International standard
- Worldwide availability

Size	Pipe diameter Ø in mm	Designation	Part no.
1	6	HRZ 1 A 6-6 PP ST M BL	430608
	6.4	HRZ 1 A 6.4-6.4 PP ST M BL	430609
	8	HRZ 1 A 8-8 PP ST M BL	430610
	9.5	HRZ 1 A 9.5-9.5 PP ST M BL	430611
	10	HRZ 1 A 10-10 PP ST M BL	430612
	12	HRZ 1 A 12-12 PP ST M BL	430613
2	12.7	HRZ 2 A 12.7-12.7 PP ST M BL	430614
	13.7	HRZ 2 A 13.7-13.7 PP ST M BL	430615
	14	HRZ 2 A 14-14 PP ST M BL	430616
	15	HRZ 2 A 15-15 PP ST M BL	430617
	16	HRZ 2 A 16-16 PP ST M BL	430618
	17.1	HRZ 2 A 17.1-17.1 PP ST M BL	430619
3	18	HRZ 2 A 18-18 PP ST M BL	430620
	19	HRZ 3 A 19-19 PP ST M BL	430621
	20	HRZ 3 A 20-20 PP ST M BL	430622
	21.3	HRZ 3 A 21.3-21.3 PP ST M BL	430623
	22	HRZ 3 A 22-22 PP ST M BL	430624
	23	HRZ 3 A 23-23 PP ST M BL	430625
4	25	HRZ 3 A 25-25 PP ST M BL	430626
	25.4	HRZ 3 A 25.4-25.4 PP ST M BL	430627
	26.9	HRZ 4 A 26.9-26.9 PP ST M BL	430628
	28	HRZ 4 A 28-28 PP ST M BL	430629
5	30	HRZ 4 A 30-30 PP ST M BL	430630
	32	HRZ 5 A 32-32 PP ST M BL	430631
	33.7	HRZ 5 A 33.7-33.7 PP ST M BL	430632
	35	HRZ 5 A 35-35 PP ST M BL	430633
	38	HRZ 5 A 38-38 PP ST M BL	430634
	40	HRZ 5 A 40-40 PP ST M BL	430635
	42	HRZ 5 A 42-42 PP ST M BL	430636



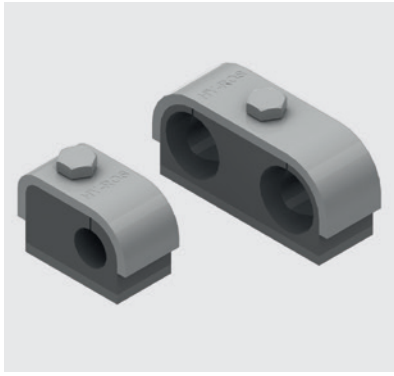
HYDAC Accessories: Mounting clamps

Twin clamp **HRGZ**
DIN 3015 Part 3
Type: Internal surface smooth

Features:

- I International standard
- I Worldwide availability

Size	Pipe diameter Ø in mm	Designation	Part no.
1	6	HRGZ 1 A 6-6 PP ST M BL	3283242
	8	HRGZ 1 A 8-8 PP ST M BL	3283306
	10	HRGZ 1 A 10-10 PP ST M BL	3283307
	12	HRGZ 1 A 12-12 PP ST M BL	3283308
2	13.5	HRGZ 2 A 13.5-13.5 PP ST M BL	3358223
	15	HRGZ 2 A 15-15 PP ST M BL	3094885
	16	HRGZ 2 A 16-16 PP ST M BL	443268
	17.1	HRGZ 2 A 17.1-17.1 PP ST M BL	3553271
	18	HRGZ 2 A 18-18 PP ST M BL	443660
	3	19	HRGZ 3 A 19-19 PP ST M BL
20		HRGZ 3 A 20-20 PP ST M BL	443266
22		HRGZ 3 A 22-22 PP ST M BL	443659
23		HRGZ 3 A 23-23 PP ST M BL	443552
25		HRGZ 3 A 25-25 PP ST M BL	3255780
4	26.9	HRGZ 4 A 26.9-26.9 PP ST M BL	3142660
	30	HRGZ 4 A 30-30 PP ST M BL	3056357
5	32	HRGZ 5 A 32-32 PP ST M BL	3204419
	42	HRGZ 5 A 42-42 PP ST M BL	3886390



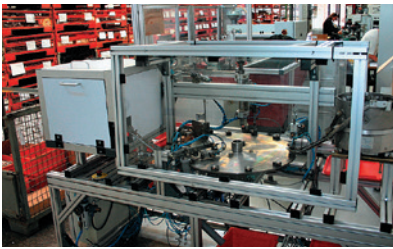
HYDAC Accessories: Mounting clamps

Buegu clamp HRBGS

Features:

- International standard
- Worldwide availability

Size	Pipe diameter Ø in mm	Designation	Part no.
0a	6	HRBGS 0a A 6 TPE ST M BL	441418
	8	HRBGS 0a A 8 TPE ST M BL	441419
	9.5	HRBGS 0a A 9.5 TPE ST M BL	444868
	10	HRBGS 0a A 10 TPE ST M BL	441420
	12	HRBGS 0a A 12 TPE ST M BL	441421
0b	12,7	HRBGS 0b A 12,7 TPE ST M BL	444876
	14	HRBGS 0b A 14 TPE ST M BL	441422
	15	HRBGS 0b A 15 TPE ST M BL	441480
	16	HRBGS 0b A 16 TPE ST M BL	441423
	18	HRBGS 0b A 18 TPE ST M BL	441732
	19	HRBGS 0b A 19 TPE ST M BL	442666
	20	HRBGS 0b A 20 TPE ST M BL	444344
	1	6 - 6	HRBGS 1 A 6-6 TPE ST M BL
8 - 8		HRBGS 1 A 8-8 TPE ST M BL	441985
9.5 - 9.5		HRBGS 1 A 9.5-9.5 TPE ST M BL	444867
10 - 10		HRBGS 1 A 10-10 TPE ST M BL	441425
12 - 12		HRBGS 1 A 12-12 TPE ST M BL	441427
2	14 - 14	HRBGS 2 A 14-14 TPE ST M BL	3087396
	15 - 15	HRBGS 2 A 15-15 TPE ST M BL	441486
	16 - 16	HRBGS 2 A 16-16 TPE ST M BL	441430
	18 - 18	HRBGS 2 A 18-18 TPE ST M BL	441431
	19 - 19	HRBGS 2 A 19-19 TPE ST M BL	444869
	20 - 20	HRBGS 2 A 20-20 TPE ST M BL	441432



HYDAC Accessories: Your contacts

HYDAC Accessories GmbH

Hirschbachstraße 2
66280 Sulzbach / Saar
Germany

Phone: +49 (0) 6897 509-01

Fax: +49 (0) 6897 509-1009

Internet: www.hydac.com

E-mail: accessories@hydac.com

You will find a local contact on our web site.

NOTE

The information in this brochure relates to the operating conditions and applications described. For applications and operating conditions not described, please contact the relevant technical department.

The operator is always responsible for determining the product suitability for the specific application. Quantified values for product characteristics are average values for a new product that undergo a time deterioration process.

Subject to technical modifications and errors.

