

## Flanged ball valves KHBF / KHMF / KHMFF

**Model code**  
(also order example)

**KHBF 16 PN040 11141 02 X ...**

### Designation

- KHBF = block type ball valve DN 16 - 25
- KHMF = sleeve type ball valve DN 32 - 50  
long version – DIN 3202 - F1  
DIN-EN 558-1, FTF, basic series 1
- KHMFF = sleeve type ball valve DN 32 - 50  
short version – DIN 3202 - F4  
DIN-EN 558-1, FTF, basic series 14

### Nominal bore (DN)

### Pressure range (to DIN EN 1092)

### Materials

#### Housing, connection adapters

- 1 = steel
- 3 = stainless steel

#### Ball, control spindle

- 1 = steel
- 3 = stainless steel

#### Ball seal

- 1 = POM (polyacetal)
- 8 = PEEK

#### Soft seal

- 2 = NBR (Perbunan)
- 4 = FKM (Viton)

#### Flanges

- 1 = steel
- 3 = stainless steel

(other material combinations on request)

### Handle

- 02 = aluminium clamped handle, cranked DN 16 - 25
- 06 = steel bolt-on handle, cranked DN 32 - 50

### Series

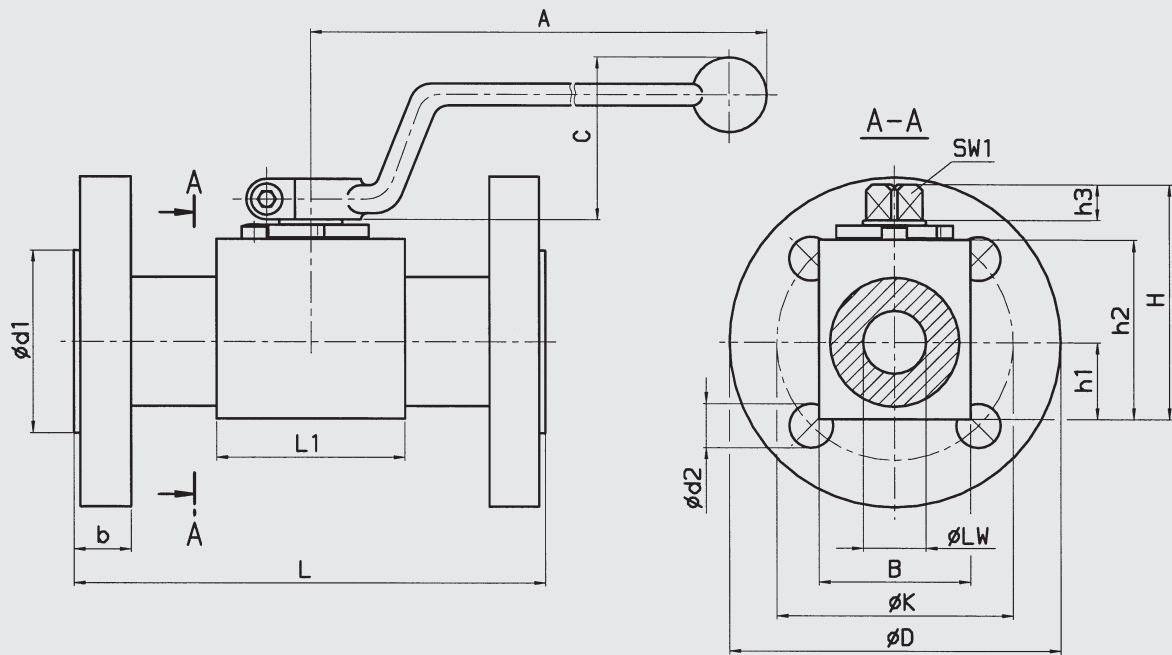
(determined by manufacturer)

### Surface protection

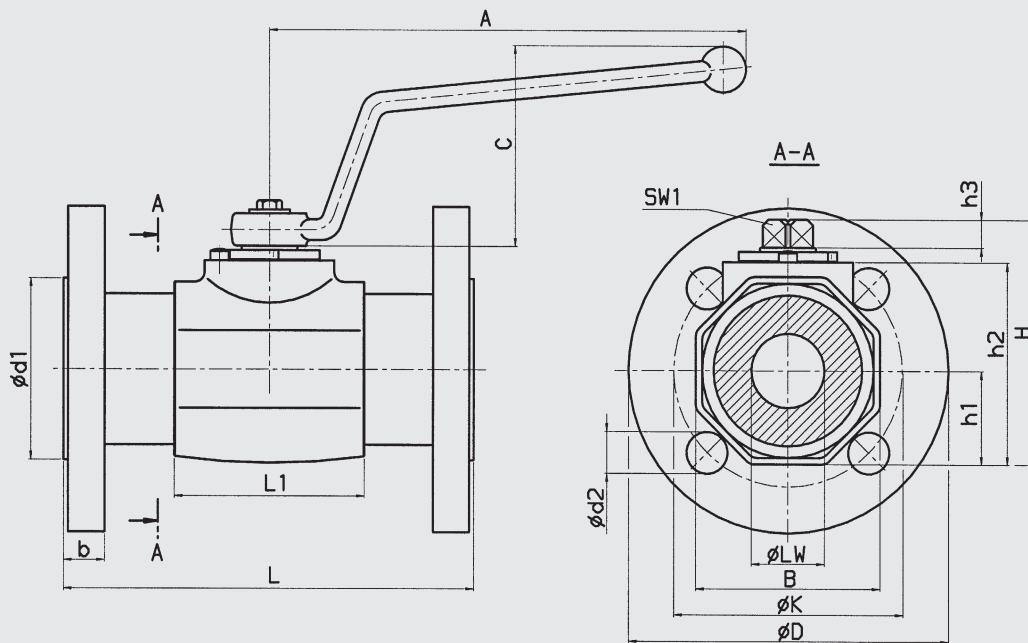
- A = zinc-plated, chrome (VI)-free
- ZN = zinc-nickel, chrome (VI)-free

# Dimensions

## KHBF



## KHMF / KHMFF



Type of construction	Housing dimensions											PN (ball valve) [bar]
	DN	LW	L1	B	H	h1	h2	h3	SW1	A	C	
Block housing KHBF DN 16 - 25	16	15	47	38	62	19	45	11	12	185	47	400
	20	20	60	48	75	24.5	57	11	14	203	54	315
	25	25	65	57	81.5	28.5	64	11	14	203	54	315
Sleeve housing KHMF / KHMFF DN 32 - 50	32	30	84	75	103	38	85	12	17	228	80	315
	40	38	91	85	114	43	96	12	17	228	80	315
	50	48	100	105	131.5	53	113	12	17	228	80	315

Type of conn. / sealing strip	Type	Pressure range PN [bar]	L	D	d1	d2	K	b	Z*	Weight [kg]	
<b>F1</b>  (FTF, basic series 1)	KHBF - 16	40	130	95	45	14	65	16	4	2.2	
		160	130	105	45	14	75	20	4	3.0	
		315	130	130	45	18	90	26	4	4.1	
	KHBF - 20	40	150	105	58	14	75	18	4	3.4	
		KHBF - 25	40	160	115	68	14	85	18	4	5.0
			160	160	140	68	18	100	24	4	7.1
	250		160	150	68	22	105	28	4	8.6	
	KHMF - 32	40	180	140	78	18	100	18	4	7.3	
		160	180	155	78	22	110	26	4	10.0	
		KHMF - 40	40	200	150	88	18	110	18	4	9.5
	160		200	170	88	22	125	28	4	13.0	
	250		200	185	88	26	135	34	4	15.5	
	KHMF - 50	315	200	195	88	26	145	38	4	17.5	
		40	230	165	102	18	125	20	4	13.1	
		63	230	180	102	22	135	26	4	18.0	
160		230	195	102	26	145	30	4	23.5		
KHMF - 50	250	230	200	102	26	150	38	8	28.5		
	315	230	210	102	26	160	42	8	31.0		
	Flange port DIN EN 1092, type B2 <b>F4</b> (FTF, basic series 14)	KHMFF - 032	40	130	140	78	18	100	18	4	6.1
KHMFF - 040			40	140	150	88	18	110	18	4	7.7
KHMFF - 050			40	150	165	102	18	125	20	4	10.7

Z\* = number of fixing holes

## Technical specifications

Length:	DIN-EN 558-1 - FTF, basic range 1 (DIN 3202 – F1, long version) DIN-EN 558-1 - FTF, basic range 14 (DIN 3202 – F4, short version)
Flange dimensions:	DIN EN 1092, type B2
Flange connections:	Rotating flanges
Mounting position:	No orientation restrictions
Ambient temperature:	-10 °C to +80 °C
Nominal pressure:	up to PN 315 (see pressure range for flanges to DIN EN 1092)
Operating fluids:	Mineral oil to DIN 51524 Part 1 and Part 2 (other fluids on request)
Temperature of operating fluid:	-10 °C to +80 °C
<b>Spare parts:</b>	Seal kits available on request
<b>Accessories:</b>	All ball valves can be supplied with the following options: Actuator Limit controls Lock

## NOTE

The information in this brochure relates to the operating conditions and applications described. For applications and operating conditions not described, please contact the relevant technical department.

The operator is always responsible for determining the product suitability for the specific application. Quantified values for product characteristics are average values for a new product that undergo a time deterioration process.

Subject to technical modifications and errors.

**HYDAC Accessories GmbH**  
Hirschbachstr. 2  
**66280 Sulzbach/Saar**  
Tel.: +49 (0)6897 - 509-01  
Fax: +49 (0)6897 - 509-1009  
Internet: www.hydac.com  
E-Mail: accessories@hydac.com

