

Tank set



COMPONENTS:

- Tank (aluminium)
- Feet (aluminium)
- Cover seal
- Cover (steel, black primer)
- Fluid level gauge FSA
- Return line filter RF
- Breather filter BFP
- Screw set

Model code
(also example order)

Tankset HYNG 30 - 120

Designation

Tankset = tank set

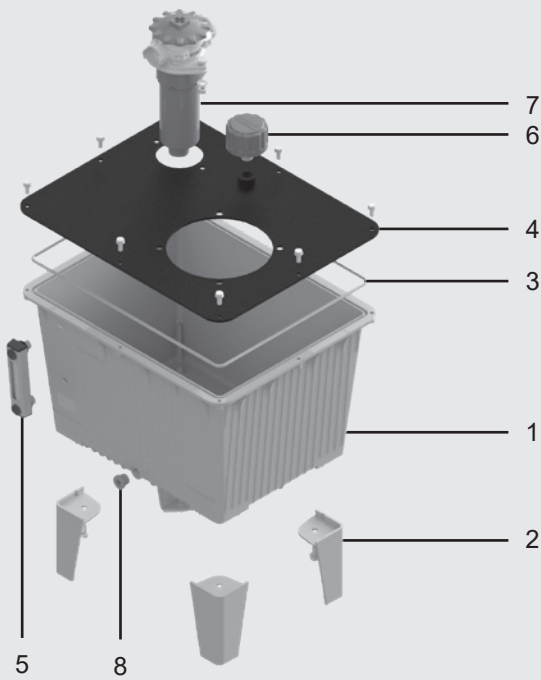
Tank type

HYNG 6,5 = nominal size 6.5
HYNG 12 = nominal size 12
HYNG 20 = nominal size 20
HYNG 30 = nominal size 30
HYNG 44 = nominal size 44
HYNG 70 = nominal size 70
HYNG 130 = nominal size 130

Size of bell housing

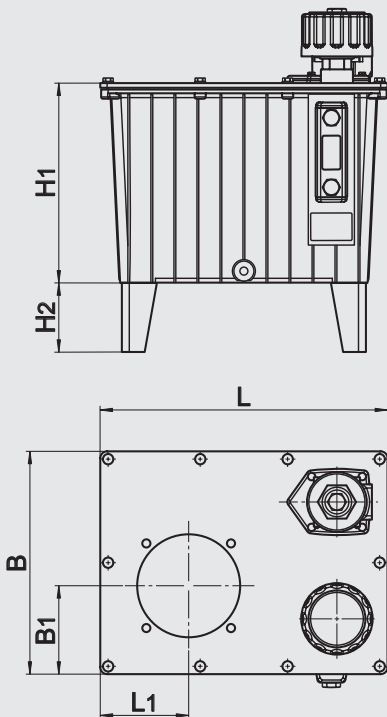
140 = nominal size 140
160 = nominal size 160
200 = nominal size 200
250 = nominal size 250
300 = nominal size 300
(others on request)

Design



Item	Designation	Quantity
1	Oil tank	1
2	Tank foot	4
3	Cover seal	1
4	Tank cover	1
5	Fluid level gauge	1
6	Breather filter	1
7	Return line filter	1
8	Screw plug	1

Dimensions [mm]



Type	Tank size LxWxH1/H2 [mm]	Coordinates L1/B1 [mm]	Part number	Effec- tive capac- ity (l)	Fluid level gauge	Return line filter with filter cartridge 10µm	Breather filter
HYNG 6.5-140	260x220x176/10	85/85	3102944	6	FSA 076	RF 30	BFP3G10W3.0
HYNG 12-140	312x242x217/75	81/86	3104404	10	FSA 076	RF 30	BFP3G10W3.0
HYNG 12-160	312x242x217/75	96/96	3102945	10	FSA 076	RF 30	BFP3G10W3.0
HYNG 20-160	369x291x246/75	99/100	3102946	17	FSA 076	RFM 75	BFP3G10W3.0
HYNG 20-200	369x291x246/75	119/120	3104405	17	FSA 076	RFM 75	BFP3G10W3.0
HYNG 30-200	490x341x280/150	125/120	3104406	27	FSA 076	RFM 165	BFP3G10W3.0
HYNG 30-250	490x341x280/150	150/145	3102947	27	FSA 076	RFM 165	BFP3G10W3.0
HYNG 44-200	525x424x310x150	170/170	3104407	40	FSA 127	RFM 165	BFP3G10W3.0
HYNG 44-250	525x424x310x150	170/170	3103018	40	FSA 127	RFM 165	BFP3G10W3.0
HYNG 70-250	615x474x360/150	170/170	3103019	63	FSA 127	RFM 165	BFP3G10W3.0
HYNG 70-300	615x474x360/150	170/170	3104428	63	FSA 127	RFM 165	BFP3G10W3.0
HYNG 130-xxx	760x600x396/150	x/x	3932175	123	FSA 127	RFM 185	BFP3G10W3.0

NOTE

The information in this brochure relates to the operating conditions and applications described. For applications and operating conditions not described, please contact the relevant technical department.

The operator is always responsible for determining the product suitability for the specific application. Quantified values for product characteristics are average values for a new product that undergo a time deterioration process.

Subject to technical modifications and errors.

HYDAC Accessories GmbH

Hirschbachstr. 2

66280 Sulzbach/Saar

Tel.: +49 (0)6897 - 509-01

Fax: +49 (0)6897 - 509-1009

Internet: www.hydac.com

E-mail: accessories@hydac.com