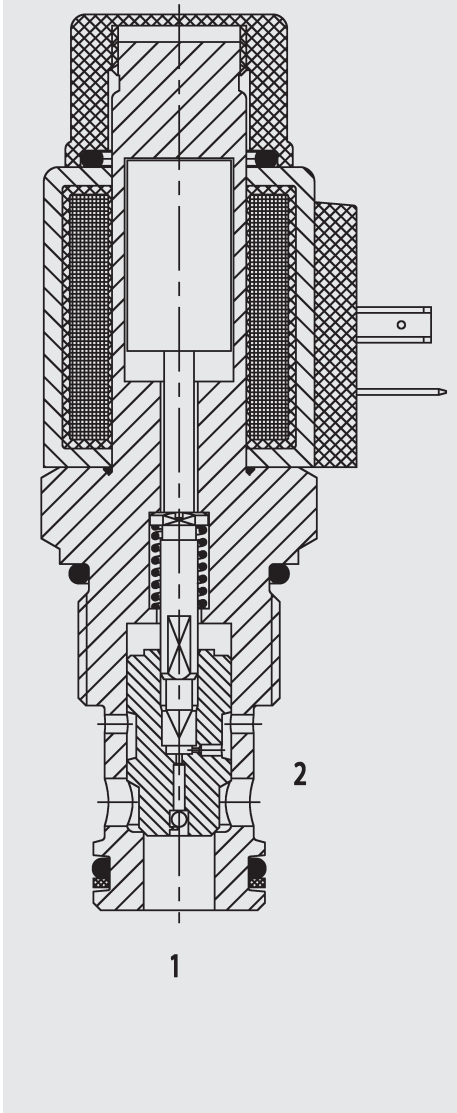


FUNCTION



When the solenoid coil is de-energized, the valve is open in both directions. When the solenoid coil is energized, the valve is closed from port 2 to port 1. In the reverse direction there is free flow through the valve when the hydraulic force on the piston exceeds the solenoid force (approx. 9 to 20 bar).

2/2 Solenoid Directional Valve Poppet Type, Pilot Operated Normally Open (Reverse Flow) Metric Cartridge – 350 bar WSM12120YR

FEATURES

- External surfaces zinc-plated and corrosion-proof
- Hardened and ground control piston to ensure minimal wear and extended service life
- Coil seals protect the solenoid system
- Wide variety of connectors available
- Excellent switching performance by high power HYDAC solenoid
- Low pressure drop due to CFD optimized flow path

SPECIFICATIONS

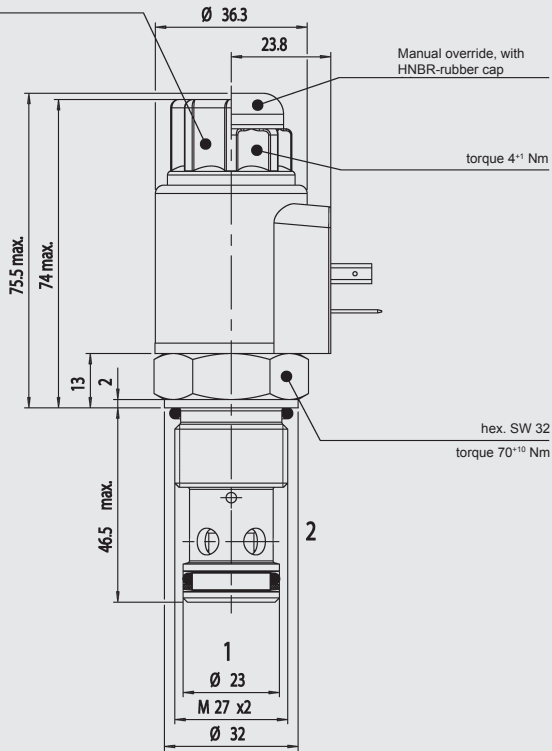
Operating pressure:	max. 350 bar
Nominal flow:	max. 110 l/min
Internal leakage:	Leakage-free (max. 5 drops \approx 0,25 cm ³ /min at 350 bar)
Media operating temperature range:	min. -20 °C to max. +100 °C
Ambient temperature range:	min. -20 °C to max. +60 °C
Operating fluid:	Hydraulic oil to DIN 51524 Part 1 and 2
Viscosity range:	min. 7.4 mm ² /s to max. 420 mm ² /s
Filtration:	Class 21/19/16 according to ISO 4406 or cleaner
MTTF _d :	150 years (see "Conditions and instructions for valves" in brochure 5.300)
Installation:	No orientation restrictions
Materials:	Valve body: free-cutting steel Poppet: hardened and ground steel Seals: NBR (standard) FKM (optional, media temperature range -20 °C to +120 °C) Back-up rings: PTFE Coil: steel / polyamide
Cavity:	12120
Weight:	Valve complete 0.49 kg Coil only 0.19 kg
Response time:	Energized: approx. 90 ms De-energized: approx. 25 ms

Electrical data

Type of voltage:	DC solenoid, AC voltage is rectified using a bridge rectifier built into the coil
Current draw at 20 °C:	1.5 A at 12 V DC 0.8 A at 24 V DC
Voltage tolerance:	\pm 15% of the nominal voltage
Coil duty rating:	Continuous up to max. 115% of the nominal voltage at 60 °C ambient temperature
Coil type:	Coil ...-40-1836

DIMENSIONS

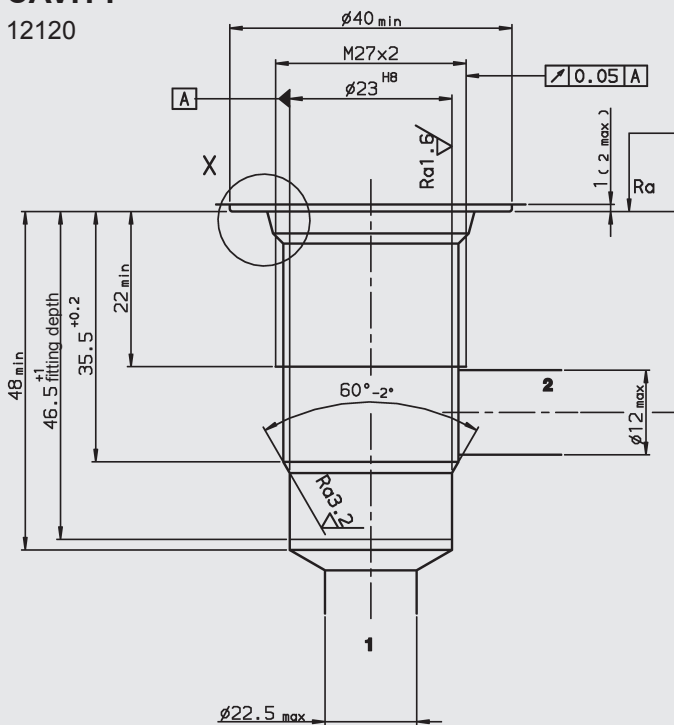
After loosening the mounting nut, the coil can be rotated through 360° and removed



millimeter
subject to technical modifications

CAVITY

12120



Form tools

Tool	Part No.
Countersink (shank MK3)	172880
Reamer	1014207

millimeter
subject to technical modifications

MODEL CODE

WSM12120YR - 01 M - C - N - 24 DG

Basic model _____
Directional poppet valve, metric

Type _____
01 = standard

Manual override _____
No details = without manual override
M = manual override

Body and ports* _____
C = cartridge only

Seals _____
N = NBR (standard)
V = FKM (optional)

Coil voltage _____
DC voltages
12 = 12 V DC
24 = 24 V DC

AC voltages (bridge rectifier built into the coil)
115 = 115 V AC
230 = 230 V AC

Other voltages on request

Coil connectors (type 40-1836) _____
DC: DG = DIN connector to EN 175301-803
DK = KOSTAL threaded connection M27x1
DL = 2 flying leads, 457 mm long, 0.75 mm²
DN = Deutsch connector, 2-pole, axial
DT = AMP Junior Timer, 2-pole, radial

AC: AG = DIN connector to EN 175301-803
Other connectors on request

Standard models

Model code	Part No.
WSM12120YR-01-C-N-12DG	3230846
WSM12120YR-01-C-N-24DG	3230852
WSM12120YR-01-C-N-230AG	3179093

Other models on request

*Standard in-line bodies

Code	Part No.	Material	Ports	Pressure
R12120-10X-01	396708	Steel, zinc-plated	G 3/4	max. 420 bar
R12120-10X-02	396707	Steel, zinc-plated	M 27 x 2	max. 420 bar

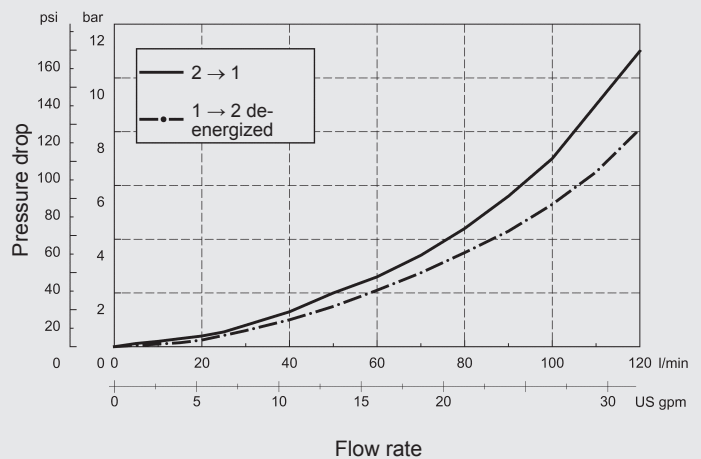
Other line bodies on request

Seal kits

Code	Material	Part No.
SEAL KIT 12120-NBR	NBR	3454001
SEAL KIT 12120-FKM	FKM	3454002

PERFORMANCE

Measured at $v = 33 \text{ mm}^2/\text{s}$, $T_{\text{oil}} = 46 \text{ }^\circ\text{C}$



NOTE

The information in this brochure relates to the operating conditions and applications described. For applications or operating conditions not described, please contact the relevant technical department.
Subject to technical modifications.

HYDAC Fluidtechnik GmbH
Justus-von-Liebig-Str.
D-66280 Sulzbach/Saar
Tel: 0 68 97 /509-01
Fax: 0 68 97 /509-598
E-Mail: flutec@hydac.com