



## Description

The HYDAC Remote Service Case (RSC) is a mobile remote maintenance tool. This service kit makes it possible to access your systems and machine controls remotely – as if the service technician was there in person. A VPN connection via mobile telephony (4G LTE), encrypted and certified to ISO 27001, to the Talk2M service portal provides protected data transfer between the control and the service technician's PC. The plug-and-play remote maintenance solution is equipped with all standard components for rapid and straightforward remote maintenance in Europe. Voltage is supplied by an enclosed power supply unit or by an optional battery pack. The RSC is available for purchase or rent.

## Applications

- Machine and system engineering
- Mobile machines
- Automotive industry
- Paper industry
- and much more

## Remote Service Case RSC

### Advantages

- Reduction in travel costs and downtime costs
- Optimisation of service times
- System availability increased
- CM/PM: e-mails or text messages can be sent with condition data and recommendations for action
- Access to all control data
- Can be incorporated into HYDAC IIoT solution CMX
- Option: preconfiguration to customer specifications

### Technical data

Supply voltage	12 to 24V DC +/- 20%
Power consumption	Approx. 30W
Ambient temperature	-20 to +70 °C
Humidity	10 to 95%, non-condensing
Protection class, open	IP 20
Protection class, closed	IP 65
Weight	8 kg

### Further data

Interfaces/protocols	OPC UA MQTT REST HTTPS FTP WLAN/WAN
Security	VPN connection, encrypted and certified to ISO 27001, to remote maintenance portal Talk2M
Network VPN	OpenVPN server, OpenVPN client
Connection to cloud platforms	HYDAC CMX Microsoft Azure MindSphere Amazon Web Services IBM Bluemix PTC ThingWorx

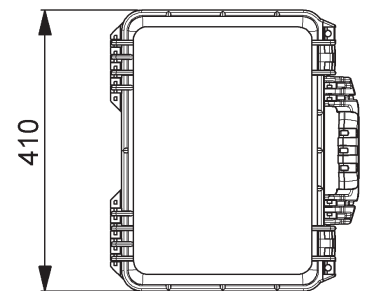
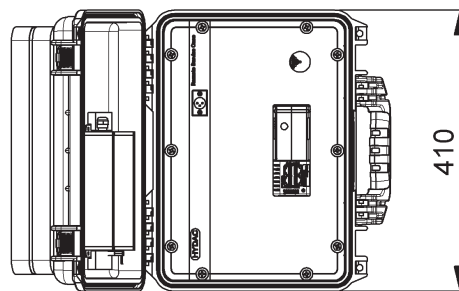
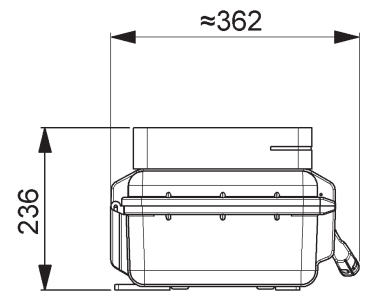
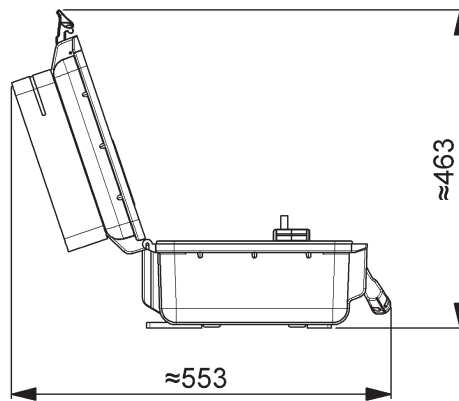
## Scope of delivery

- Remote service case incl. front pocket
- Remote maintenance router incl. 4G LTE module and LTE antenna
- 24V power supply unit with connector plug for Europe, US/Canada, UK, Australia and Japan
- Operating and Maintenance Instructions

## Accessories (optional)

- Battery pack (part no.: 3504605)
- Remote maintenance expansion card USB (part no.: 6246805)
- Remote maintenance expansion card WiFi (part no.: 6241954)
- Remote maintenance expansion card I/O module (part no.: 6241957)
- Patch cable 3m RJ45 (part no.: 6249223)
- USB cable A-A 3m (part no.: 6249388)

## Dimensions



## Note

The data provided here refers to the standard version. Customer-specific requirements can also be implemented following a review.

The information in this brochure relates to the operating conditions and applications described.

For applications or operating conditions not described, please contact the relevant technical department.

Subject to technical modifications.

## HYDAC Systems & Services GmbH

Geschäftsbereich Systemtechnik  
Werk 14 Sonnenallee 1  
D-66287 Quierschied-Göttelborn  
Campus Göttelborn Süd  
Tel: +49 (0)6897 - 509-01  
Internet: [www.hydac.com](http://www.hydac.com)  
E-mail: [systeme@hydac.com](mailto:systeme@hydac.com)