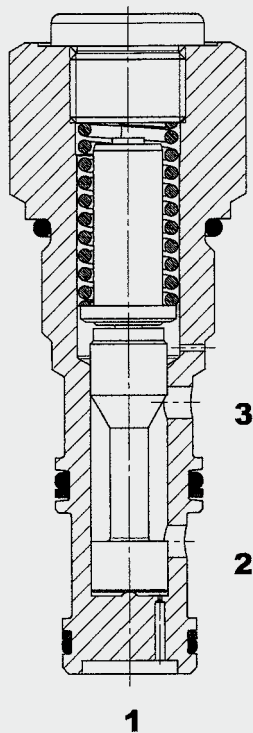


Up to 130 l/min
Up to 250 bar

FUNCTION



The pressure compensator DWM12130Y is a normally open, direct-acting, spring-loaded flow control valve. By maintaining a constant differential between inlet and outlet pressure of an orifice (ports 1 and 3 of the pressure compensator), a constant flow rate is maintained (independently of the load pressure). As soon as the pressure differential exceeds the value pre-set by the spring force, the control piston reduces an orifice cross-section. The pressure compensator can, for example, be used when lowering variable loads at the same velocity. Together with a proportional flow control valve it can be used as a 2-way proportional flow regulator. In a load sensing system in which several consumers are operated, the speed of each individual circuit can be controlled.

Pressure Compensator, Downstream, Spool Type, Direct-Acting, Normally Open Metric Cartridge – 250 bar DWM12130Y

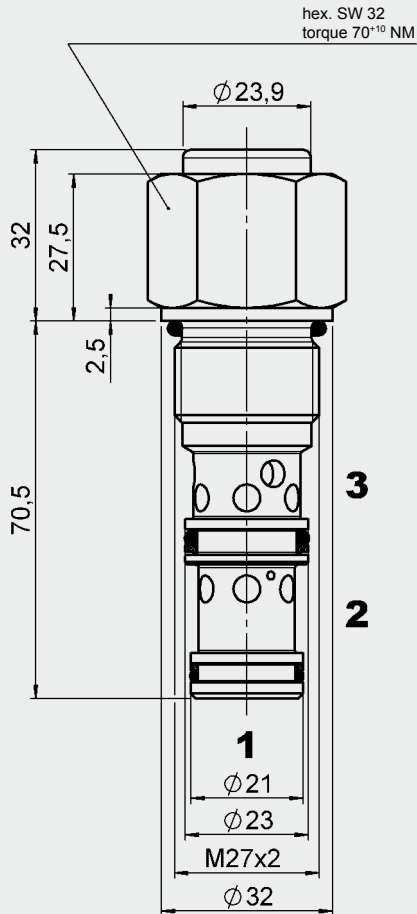
FEATURES

- Used to control the flow rate of consumers independently of the load pressure
- Versions for two different control pressure differentials and for flow rates up to max. 130 l/min
- Excellent stability throughout pressure and flow range
- Excellent dynamic performance
- External surfaces zinc-plated and corrosion-proof
- Hardened and ground valve components to ensure minimal wear and extended service life
- Reliable operation due to integral stroke limitation

SPECIFICATIONS

Operating pressure:	max. 250 bar
Nominal flow:	max. 130 l/min
Control accuracy:	+/- 10%
Media operating temperature range:	min. -20 °C to max. +120 °C
Ambient temperature range:	min. -20 °C to max. +120 °C
Operating fluid:	Hydraulic oil to DIN 51524 Part 1 and 2
Viscosity range:	min. 10 mm ² /s to max. 420 mm ² /s
Filtration:	Class 21/19/16 according to ISO 4406 or cleaner
MTTF _d :	150 years (see "Conditions and instructions for valves" in brochure 5.300)
Installation:	No orientation restrictions
Materials:	Valve body: high tensile steel Piston: hardened and ground steel Seals: FKM NBR (optional, media temperature range -30 °C to +100 °C) Back-up rings: PTFE
Cavity:	Metric 12130
Weight:	0.35 kg

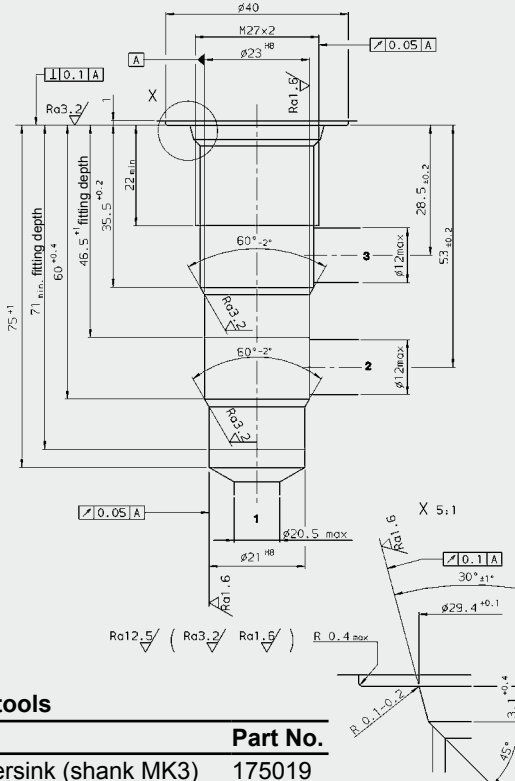
DIMENSIONS



Millimeter
Subject to technical modifications

CAVITY

Metric 12130



Millimeter
Subject to technical modifications

Form tools

Tool	Part No.
Countersink (shank MK3)	175019
Reamer (shank MK2)	175021

MODEL CODE

DWM 12130 Y-21-C-V-15

Basic model _____
Pressure compensator

Cavity to ISO _____

Function symbol _____
Y = downstream pressure compensator

Type _____

21 = without damping, without venting
22 = with damping, without venting

Body and ports _____

C = cartridge only
Versions with bodies on request

Seals _____

V = FKM (standard)
N = NBR

Control pressure differential _____

15 = 15 bar differential pressure, up to 90 l/min
22 = 22 bar differential pressure, up to 130 l/min

Standard models

Model code	Part No.
DWM12130Y-21-C-V-15	554334
DWM12130Y-21-C-V-22	557576

Standard in-line bodies

Code	Part No.	Material	Ports	Pressure
R12130	3305489	Steel, zinc-plated	G 3/4	420 bar

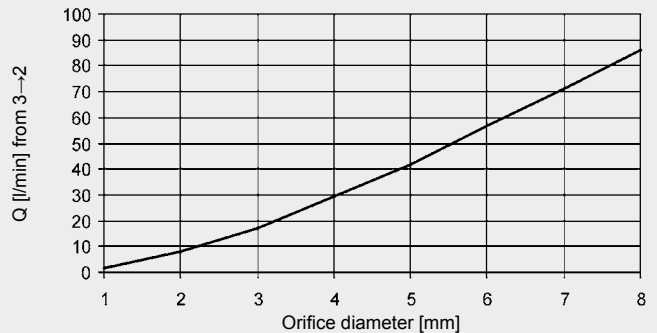
Seal kits

Code	Material	Part No.
Seal kit 12130	NBR	3506022
Seal kit 12130	FKM	3506021

PERFORMANCE

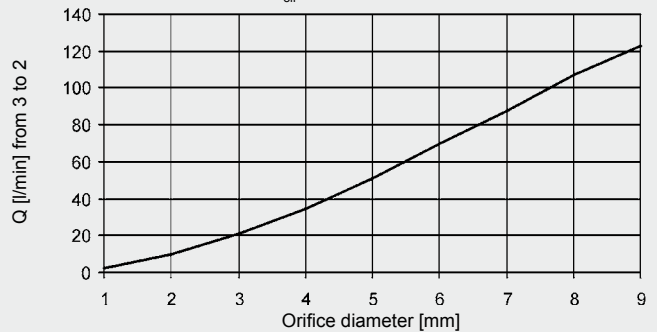
DWM12130Y-...-C-V-15

Measured at $v = 44 \text{ mm}^2/\text{s}$, $T_{\text{oil}} = 40 \text{ }^\circ\text{C}$



DWM12130Y-...-C-V-22

Measured at $v = 33 \text{ mm}^2/\text{s}$, $T_{\text{oil}} = 46 \text{ }^\circ\text{C}$



NOTE

The information in this brochure relates to the operating conditions and applications described. For applications or operating conditions not described, please contact the relevant technical department.
Subject to technical modifications.

HYDAC Fluidtechnik GmbH

Justus-von-Liebig-Str.
D-66280 Sulzbach/Saar
Tel: 0 68 97 /509-01
Fax: 0 68 97 /509-598
E-Mail: flutec@hydac.com