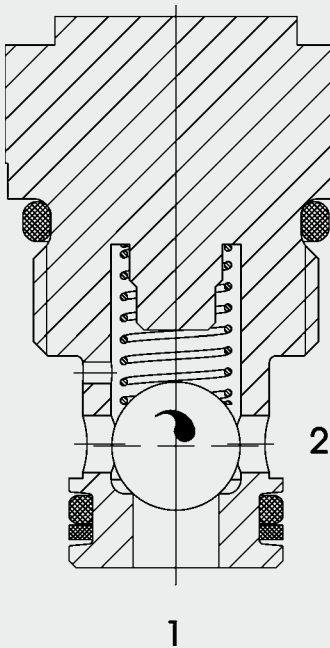




Up to 38 l/min
Up to 350 bar

FUNCTION



The check valve RVM06020 is a direct-acting, spring-loaded ball poppet valve. When there is no flow through the valve, the spring holds the ball in the closed position and therefore shuts off port 2 from port 1. The valve opens when the pressure at port 1 is higher than the pressure at port 2, including the pressure created by the spring force.

Check Valve Ball Seat Type Metric Cartridge – 350 bar RVM06020

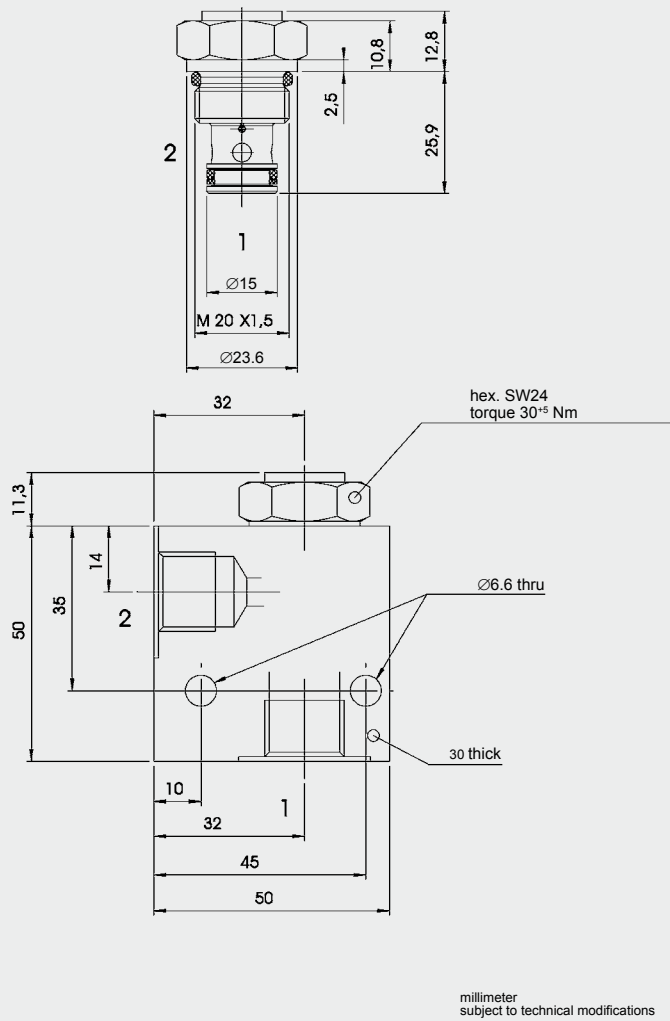
FEATURES

- Main application is to prevent uncontrolled movement or creeping of loaded cylinders and also to shut-off sections of the system
- External surfaces zinc-plated
- Low pressure drop by CFD optimized flow path
- Optional version with hardened and ground seat

SPECIFICATIONS

| | |
|------------------------------------|---|
| Operating pressure: | max. 350 bar |
| Nominal flow: | max. 38 l/min |
| Internal leakage: | Leak-free (max. 5 drops \approx 0,25 cm ³ /min at 350 bar) |
| Cracking pressure: | 0.5 bar (others on request) |
| Ambient temperature range: | min. -30 °C to max. +100 °C |
| Media operating temperature range: | min. -30 °C to max. +100 °C |
| Operating fluid: | Hydraulic oil to DIN 51524 Part 1 and 2 |
| Viscosity range: | min. 2.8 mm ² /s to max. 800 mm ² /s |
| Filtration: | Class 21/19/16 according to ISO 4406 or cleaner |
| MTTF _d : | 150 years (see "Conditions and instructions for valves" in brochure 5.300) |
| Installation: | No orientation restrictions |
| Materials: | Valve body: high tensile steel Closing element: hardened and ground steel Seals: NBR (standard) FKM (optional, media temperature range -20 °C to +120 °C) Back-up rings: PTFE |
| Cavity: | 06020 |
| Weight: | 0.08 kg |

DIMENSIONS



MODEL CODE

RVM 06020 - 01 - C - N - 0.5

Basic model ————
Check valve, metric

Cavity ————
06020 = 2-way cavity

Type ————
01 = standard model
(surface zinc-plated)
06 = hardened seat version

Body and ports ————
C = cartridge

Seals ————
N = NBR
V = FKM

Cracking pressure ————
0.5 = 0.5 bar
Others on request

Standard models

| Model code | Part No. |
|-------------------------|----------|
| RVM06020-01-C-N-0.5 | 3196992 |
| Other models on request | |

Standard in-line bodies

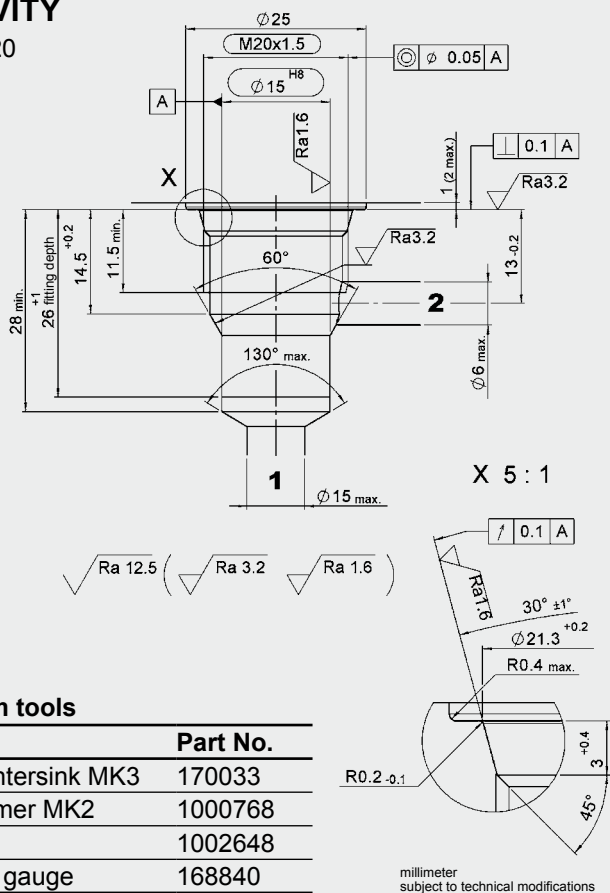
| Code | Part No. | Material | Ports |
|---------------|----------|--------------------|-------|
| R06020-01X-01 | 275266 | Steel, zinc-plated | G 3/8 |

Seal kits

| Code | Material | Part No. |
|--------------------|----------|----------|
| SEAL KIT 06020-NBR | NBR | 3119017 |
| SEAL KIT 06020-FKM | FKM | 3262477 |

CAVITY

06020

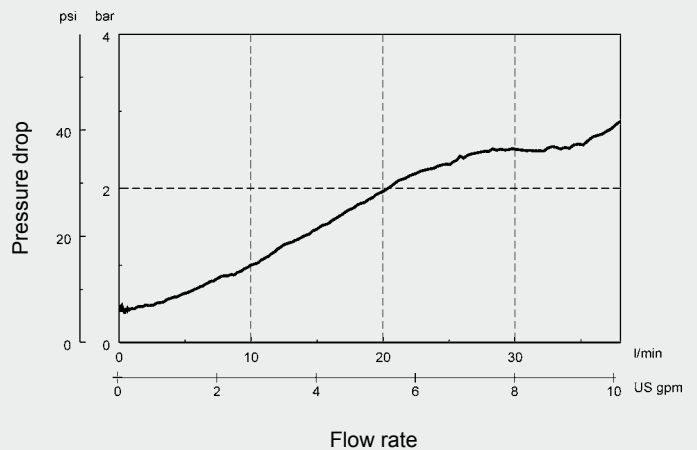


Form tools

| Tool | Part No. |
|-----------------|----------|
| Countersink MK3 | 170033 |
| Reamer MK2 | 1000768 |
| Tap | 1002648 |
| Plug gauge | 168840 |

PERFORMANCE

Measured at:
 $v = 34 \text{ mm}^2/\text{s}$, $T_{\text{oil}} = 46^\circ \text{C}$



NOTE

The information in this brochure relates to the operating conditions and applications described. For applications or operating conditions not described, please contact the relevant technical department.
Subject to technical modifications.

HYDAC Fluidtechnik GmbH
Justus-von-Liebig-Str.
D-66280 Sulzbach/Saar
Tel: 0 68 97 /509-01
Fax: 0 68 97 /509-598
E-Mail: flutec@hydac.com