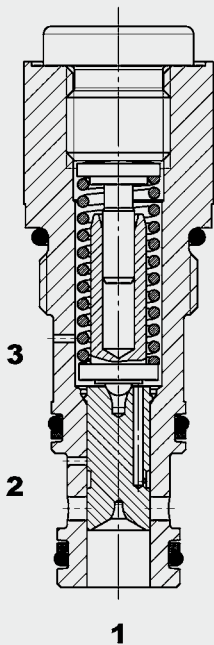


FUNCTION



The pressure compensator DWM08130Z is a normally closed, direct-acting, spring-loaded flow control valve which operates smoothly.

By maintaining a constant differential between inlet and outlet pressure of an orifice (ports 1 and 3 of the pressure compensator), a constant flow rate is maintained (independently of the load pressure). As soon as the pressure differential exceeds the value pre-set by the spring force, the control piston opens an orifice cross-section and diverts the surplus flow which is not required by the consumer, through a third port.

The pressure compensator can, for example, be used when raising variable loads at the same velocity. Together with a proportional flow control valve it can be used as a 3-way proportional flow regulator. In load sensing circuits with a fixed displacement pump, if there is no demand from the consumer, the valve allows the oil to flow back to tank and therefore vents the whole system.

Pressure Compensator Bypass Spool Type, Direct-Acting, Normally Closed Metric Cartridge – 250 bar

DWM08130Z

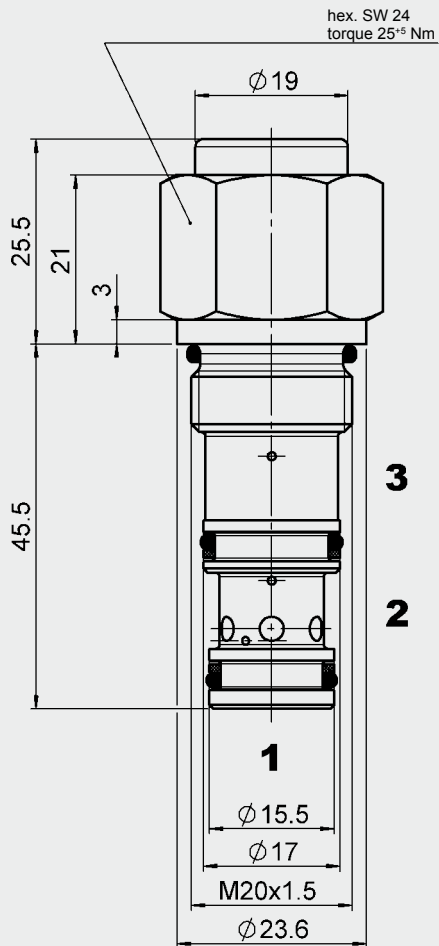
FEATURES

- Used as a load sensing valve to control the flow rate of consumers independently of the pressure
- Versions available for different control pressure differentials
- Hydrodynamic damping
- Excellent stability throughout pressure and flow range
- Excellent dynamic performance
- External surfaces zinc-plated and corrosion-proof
- Hardened and ground valve components to ensure minimal wear and extended service life
- Reliable operation due to integral stroke limitation
- Internal venting of the load sensing line when valve is open

SPECIFICATIONS

Operating pressure:	max. 250 bar
Nominal flow:	max. 40 l/min
Media operating temperature range:	min. -30 °C to max. +100 °C
Ambient temperature range:	min. -30 °C to max. +100 °C
Operating fluid:	Hydraulic oil to DIN 51524 Part 1 and 2
Viscosity range:	min. 10 mm ² /s to max. 420 mm ² /s
Filtration:	Class 21/19/16 according to ISO 4406 or cleaner
MTTF _d :	150 years (see "Conditions and instructions for valves" in brochure 5.300)
Installation:	No orientation restrictions
Materials:	Valve body: high tensile steel Closing element: hardened and ground steel Seals: NBR (standard) FKM (optional, media temperature range -20 °C to +120 °C) Back-up rings: PTFE
Cavity:	Metric 08130
Weight:	0.15 kg

DIMENSIONS



millimeter
subject to technical modifications

MODEL CODE

DWM 08130 Z - 32 - C - N - 10

Basic model _____
Pressure compensator

Cavity to ISO _____

Function symbol _____
Z = pressure compensator, normally closed

Type _____
21 = without damping, without venting from 3 → 2
22 = with damping, without venting from 3 → 2
31 = without damping, with venting from 3 → 2
32 = with damping, with venting from 3 → 2

Body and ports _____
C = cartridge only
Versions with bodies on request

Seals _____
N = NBR (standard)
V = FKM (optional)

Control pressure differential _____
10 = 10 bar differential pressure
15 = 15 bar differential pressure

Standard models

Model code	Part No.
DWM08130Z-21-C-N-15	3036651
DWM08130Z-22-C-N-15	3036882
DWM08130Z-31-C-N-15	555147
DWM08130Z-32-C-N-15	3036877

Other models on request

Standard in-line bodies

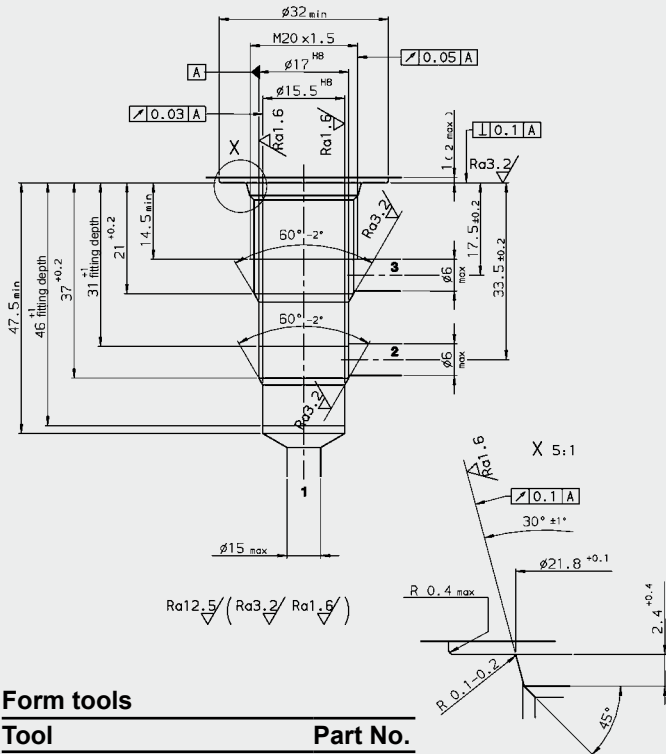
Code	Part No.	Material	Ports	Pressure
R08130-01X-01	394488	Steel, zinc-plated	G 3/8	420 bar
R08130-01X-02	394378	Steel, zinc-plated	M14 x 1.5	420 bar

Seal kits

Code	Material	Part No.
Seal kit 08120	NBR	3164596
Seal kit 08120	FKM	3183746

CAVITY

Metric 08130

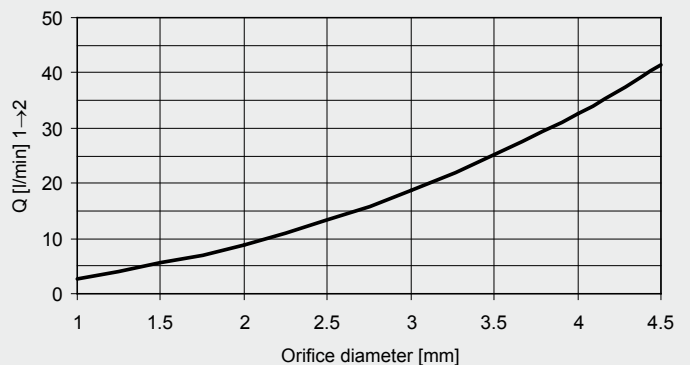


millimeter
subject to technical modifications

PERFORMANCE

DWM08130Z-...-C-N-15

Measured at $v = 56 \text{ mm}^2/\text{s}$, $T_{\text{oil}} = 34 \text{ °C}$



NOTE

The information in this brochure relates to the operating conditions and applications described. For applications or operating conditions not described, please contact the relevant technical department.
Subject to technical modifications.

HYDAC Fluidtechnik GmbH
Justus-von-Liebig-Str.
D-66280 Sulzbach/Saar
Tel: 0 68 97 /509-01
Fax: 0 68 97 /509-598
E-Mail: flutec@hydac.com

Form tools

Tool	Part No.
Countersink (shank MK3)	169265
Reamer (shank MK2)	163639

millimeter
subject to technical modifications