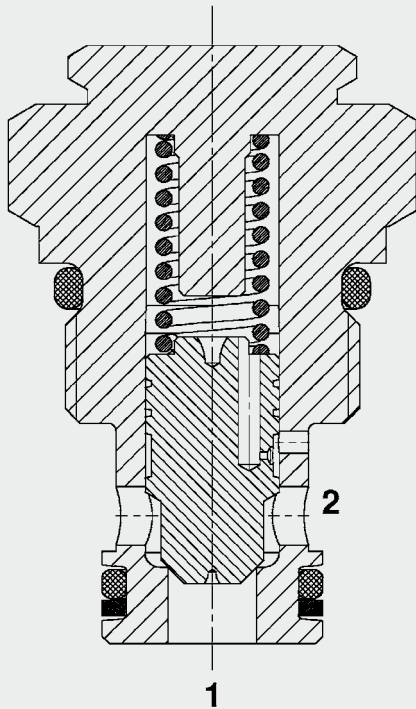




38 l/min  
350 bar

## FUNCTION



The check valve RVM06020-51 is a direct-acting, spring-loaded poppet valve.

When there is no flow through the valve, the spring holds the poppet in the closed position and therefore shuts off port 2 from port 1. The valve opens when the pressure at port 1 is higher than the pressure at port 2, including the pressure created by the spring force.

## Check Valve Poppet Type Metric Cartridge – 350 bar RVM06020-51

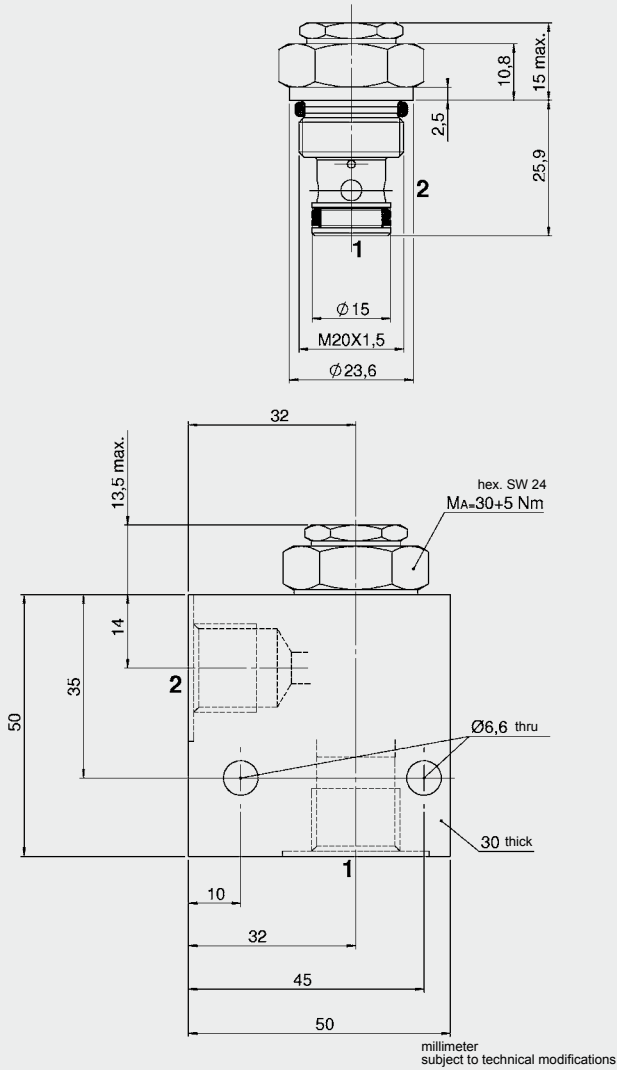
### FEATURES

- High performance version for high cycle rate
- Main application is to prevent uncontrolled movement or creeping of loaded cylinders and also to shut-off sections of the system
- External surfaces zinc-plated
- Hardened and ground valve components to ensure minimal wear and extended service life
- Low pressure drop by CFD optimized flow path
- Improved wear resistance, achieved by a guided and dampened piston

### SPECIFICATIONS

Operating pressure:	350 bar
Nominal flow:	38 l/min
Internal leakage:	0.064 cm <sup>3</sup> at 350 bar
Cracking pressure:	0.5 bar (others on request)
Media operating temperature range:	min. -30 °C to max. +100 °C
Ambient temperature range:	min. -30 °C to max. +100 °C
Operating fluid:	Hydraulic oil to DIN 51524 Part 1 and 2
Viscosity range:	min. 10 mm <sup>2</sup> /s to max. 420 mm <sup>2</sup> /s
Filtration:	Class 21/19/16 according to ISO 4406 or cleaner
MTTF <sub>d</sub> :	150 years (see "Conditions and instructions for valves" in brochure 5.300)
Installation:	No orientation restrictions
Materials:	Valve body: high tensile steel Piston: hardened and ground steel Seals: NBR (standard) FKM (optional, media temperature range -20 °C to +120 °C)
	Back-up rings: PTFE
Cavity:	Metric 06020
Weight:	0.07 kg

## DIMENSIONS



## MODEL CODE

**RVM 06020 - 51 - C - N - 0.5**

**Basic model** \_\_\_\_\_  
Check valve, metric

**Cavity** \_\_\_\_\_  
06020 = 2-way cavity

**Type** \_\_\_\_\_  
51 = poppet type, optimized for high cycle rate

**Body and ports** \_\_\_\_\_  
C = cartridge only

**Seals** \_\_\_\_\_  
N = NBR (standard)  
V = FKM

**Cracking pressure** \_\_\_\_\_  
0.5 = 0.5 bar  
Others on request

### Standard models

Model code	Part No.
RVM06020-51-C-N-0.5	3347965

Other models on request

### Standard in-line bodies

Code	Part No.	Material	Ports	Pressure
R06020-01X-01	275266	Steel, zinc-plated	G 3/8	420 bar

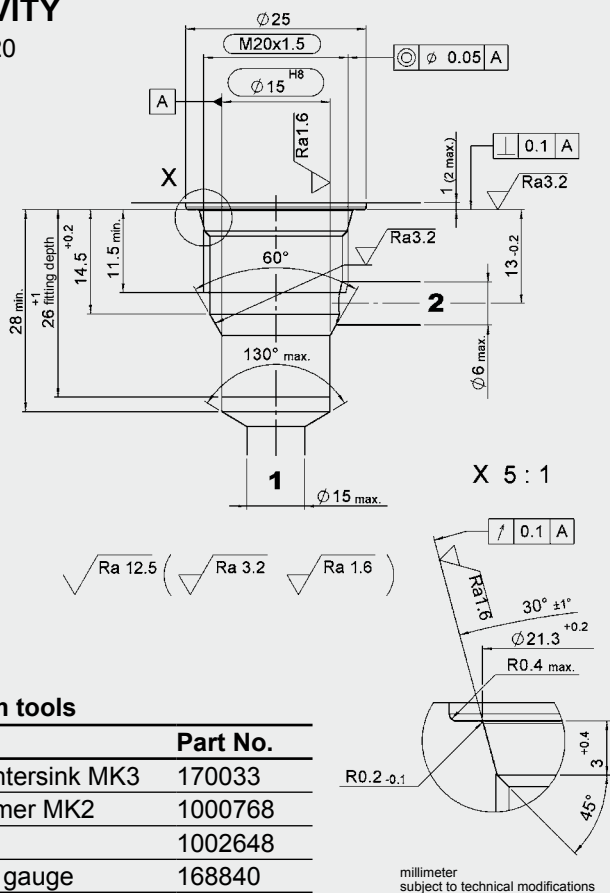
Other line bodies on request

### Seal kits

Code	Part No.
SEAL KIT 06020-NBR	3119017
SEAL KIT 06020-FKM	3262477

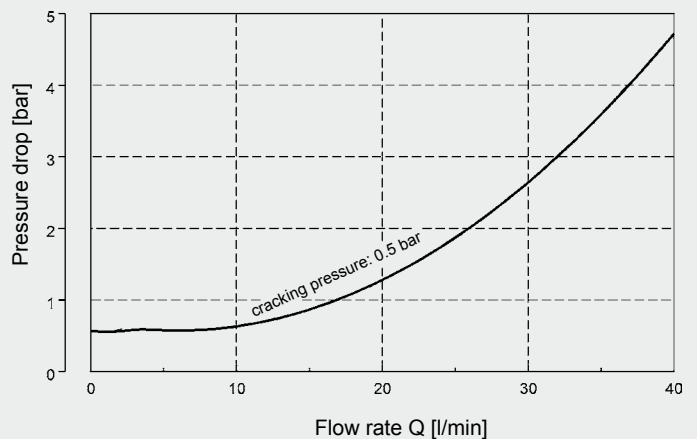
## CAVITY

06020



## PERFORMANCE

Measured at  $v = 34 \text{ mm}^2/\text{s}$ ,  $T_{oil} = 46 \text{ }^\circ\text{C}$



### NOTE

The information in this brochure relates to the operating conditions and applications described. For applications or operating conditions not described, please contact the relevant technical department.  
Subject to technical modifications.

**HYDAC Fluidtechnik GmbH**  
Justus-von-Liebig-Str.  
**D-66280 Sulzbach/Saar**  
Tel: 0 68 97 /509-01  
Fax: 0 68 97 /509-598  
E-Mail: flutec@hydac.com