



Hydraulic Pilot Controls HPV Series

Introduction

The product, with its single lever dual axis control, and supported by an extensive range of control curve characteristics and handle options, makes it suitable for a wide range of both mobile and industrial applications.

Our engineers can offer specialist support to optimise this product to suit your application. The product is supported by a comprehensive Sales and Service facility around the world.

Benefits

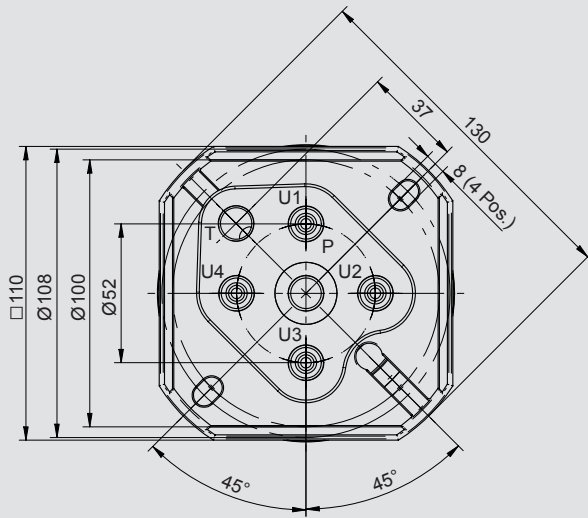
- Compact and light weight
- All ports on bottom face for ease of installation
- Suitable for arm rest of console mounting
- Compatible with a wide range of product
- Stylish good looks suitable for modern cabs
- Operator is insulated from high temperature components
- Proven, simple pressure reducing elements
- Wide range of low hysteresis, high accuracy, pressure control curves
- Wide range of electrical options in both standard and multi-functional ergonomic handles
- Low effort lever control

Technical data

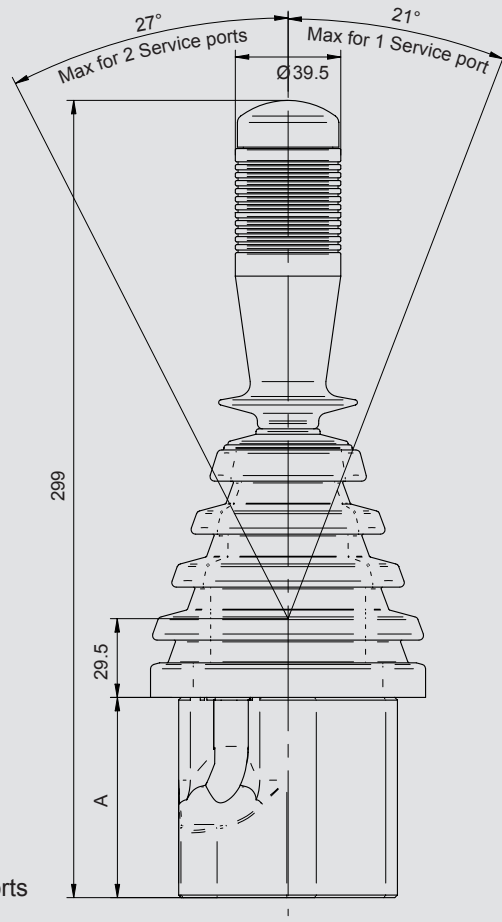
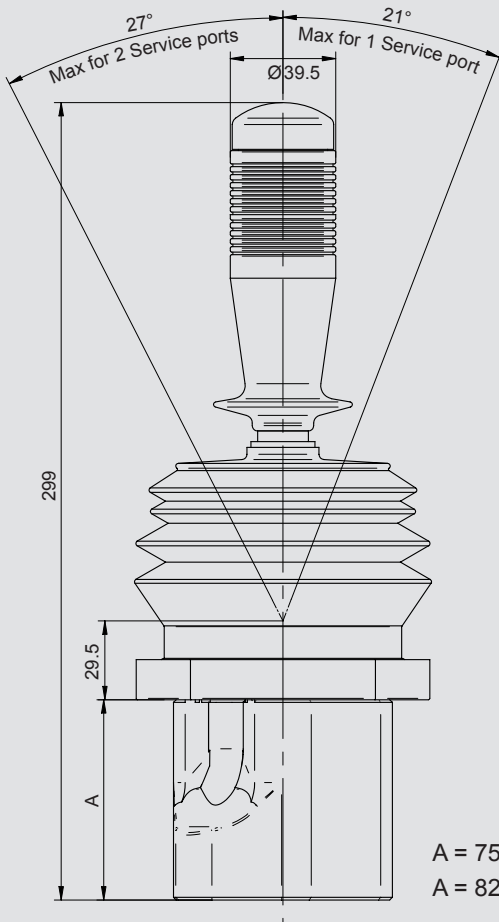
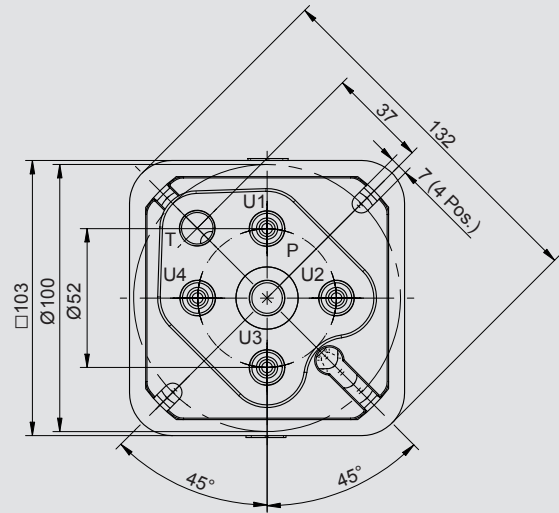
Service ports:	P, T, U1, U2, U3, U4; 1/4" BSP
Max. inlet pressure at port P:	50 bar
Max. back pressure at port T:	3 bar
Supply flow range:	from 5 up to 20 l/min
Max. hysteresis:	+/-0.5 bar
Fluid:	Mineral Oils ISO, HM and HV
Contamination class:	21/16/13 ISO 4406/1999
Fluid temperature range:	from -20 °C up to +80 °C

Dimensions

CO1 with round Gaiter

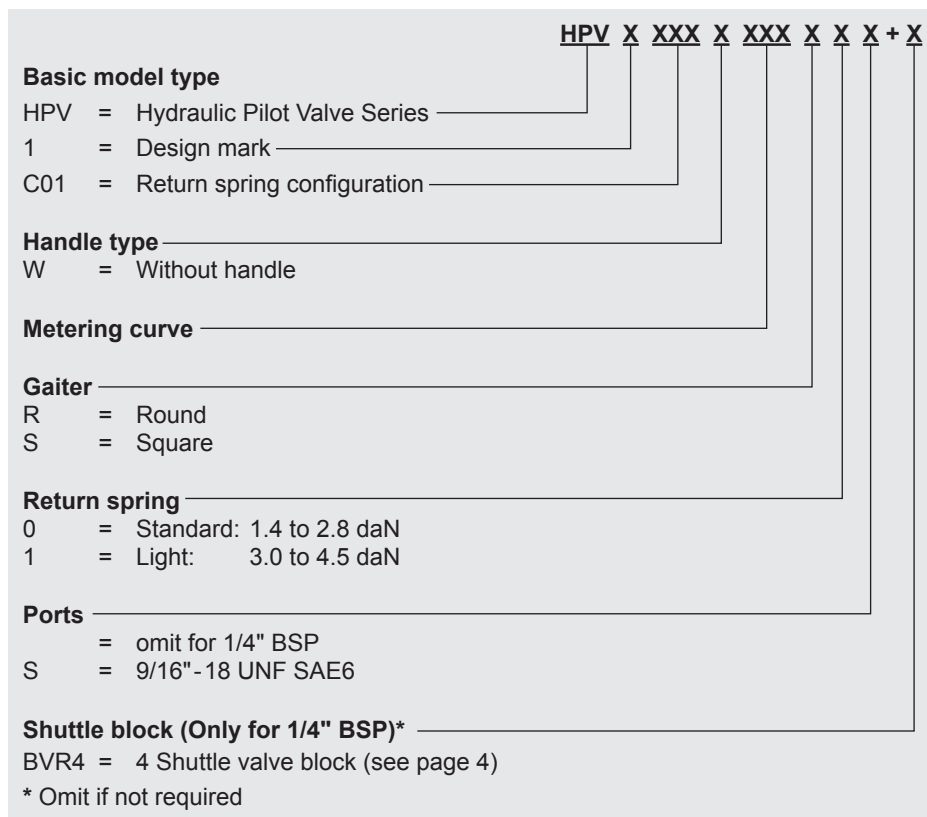


CO1 with square Gaiter



A = 75 mm 1/4" BSP Ports
 A = 82 mm 9/16"-18 SAE6 Ports

Model code



Note

The information in this brochure relates to the operating conditions and applications described.

For applications or operating conditions not described, please contact the relevant technical department.

Subject to technical modifications.



Nordhydraulic
HYDAC INTERNATIONAL

Head Office
HYDAC INTERNATIONAL
GMBH

Industriegebiet
66380 Sulzbach/Saar
Germany

Tel.: +49 6897 509-01
Fax: +49 6897 509-577

E-mail: mobilevalves@hydac.com
Internet: www.hydac.com