

Flanged Ball Valves

KHBF / KHMFF / KHMFF

Model code
(also order example)

KHBF 16 PN040 11141 02 X ...

Designation

- KHBF = Block-type ball valve DN 16 - 25 (steel)
- KHMF = Sleeve-type ball valve DN 32 - 50 (steel)
DN 16 - 50 (stainless steel)
- Long version – DIN 3202 - F1
DIN-EN 558-1, FTF, basic range 1
- KHMFF= Sleeve-type ball valve DN 32 - 50 (steel / stainless steel)
Short version – DIN 3202 - F4
DIN-EN 558-1, FTF, basic range 14

Nominal bore
(DN)

Pressure range
(to DIN 2401)

Materials

Housing, connection adapters

- 1 = Steel
- 3 = Stainless steel (1.4571)

Ball, control spindle

- 1 = Steel
- 3 = Stainless steel (1.4571)

Ball seal

- 1 = POM (polyacetal)

Soft seal

- 4 = FKM (Viton)

Flanges

- 1 = Steel
- 3 = Stainless steel (1.4571)

(other material combinations on request)

Handle

- 02 = Aluminium clamped handle, cranked, supplied loose DN 16 - 25
- 06 = Steel bolt-on handle, cranked, supplied loose DN 32 - 50

Series

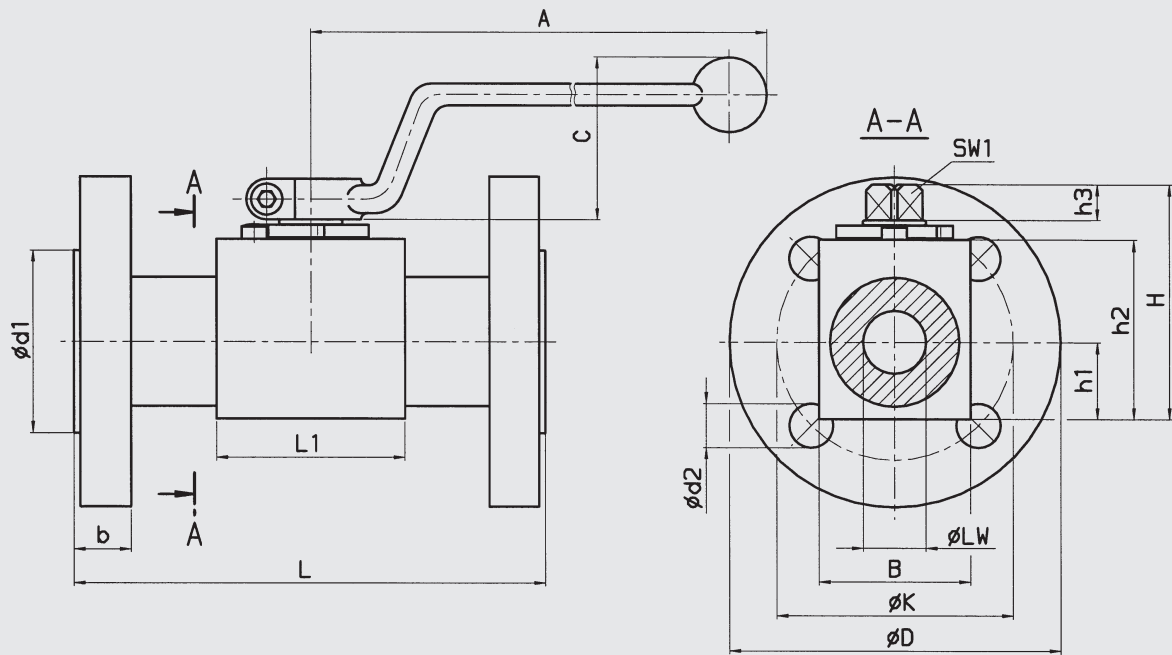
(determined by manufacturer)

Surface protection

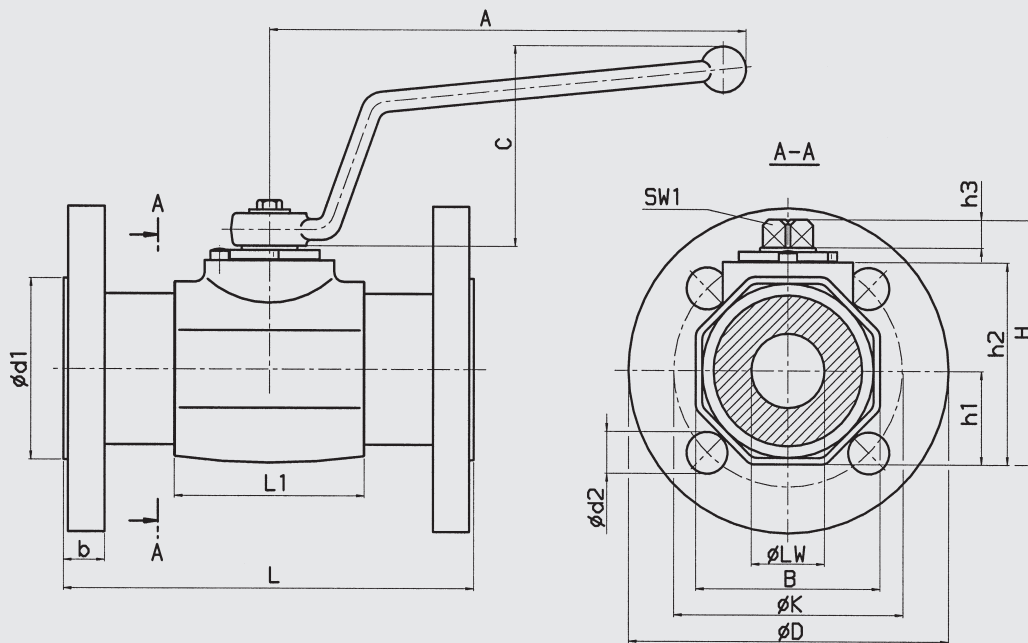
- ... = Phosphate-plated (no details required)
- A = Zinc-plated, chrome (VI)-free

Dimensions

KHBF



KHMF / KHMFF



Version	Housing dimensions											PN (ball valve) [bar]
	DN	LW	L1	B	H	h1	h2	h3	SW1	A	C	
Block housing KHBF DN16-25 (steel)	16	15	47	38	62	19	45	11	12	185	47	400
	20	20	60	48	75	24.5	57	11	14	203	54	315
	25	25	65	57	81.5	28.5	64	11	14	203	54	315
Sleeve housing KHMF / KHMFF DN16-50 (stainless steel) DN32-50 (steel)	16	15	46	45	66.5	22.5	48.5	11	12	185	47	400
	20	20	58	55	78	27.5	60	11	14	203	54	315
	25	25	64	60	83.5	30	65.5	11	14	203	54	315
	32	30	84	75	103	38	85	12	17	228	80	315
	40	38	91	85	114	43	96	12	17	228	80	315
50	48	100	105	131.5	53	113	12	17	228	80	315	

Type of conn. / Seal face	Type	Pressure range PN [bar]	L	D	d1	d2	K	b	Z*	Weight [kg]	
F1 (FTF, basic range 1)	Flange connection DIN EN 1092, type B2	KHBF - 16	40	130	95	45	14	65	16	4	2.2
		KHMF - 16	160	130	105	45	14	75	20	4	3.0
			315	130	130	45	18	90	26	4	4.1
	KHBF - 20 KHMF - 20	40	150	105	58	14	75	18	4	3.4	
		KHBF - 25 KHMF - 25	40	160	115	68	14	85	18	4	5.0
			160	160	140	68	18	100	24	4	7.1
	250		160	150	68	22	105	28	4	8.6	
	KHMF - 32	315	160	160	68	22	115	34	4	9.2	
		40	180	140	78	18	100	18	4	7.3	
		160	180	155	78	22	110	26	4	10.0	
	KHMF - 40	40	200	150	88	18	110	18	4	9.5	
		160	200	170	88	22	125	28	4	13.0	
		250	200	185	88	26	135	34	4	15.5	
		315	200	195	88	26	145	38	4	17.5	
	KHMF - 50	40	230	165	102	18	125	20	4	13.1	
63		230	180	102	22	135	26	4	18.0		
160		230	195	102	26	145	30	4	23.5		
250		230	200	102	26	150	38	8	28.5		
315		230	210	102	26	160	42	8	31.0		
Flange connection DIN EN 1092, type B2 F4 (FTF, basic range 14)	KHMFF - 032	40	130	140	78	18	100	18	4	6.1	
		40	140	150	88	18	110	18	4	7.7	
	KHMFF - 050	40	150	165	102	18	125	20	4	10.7	

z* = number of fixing holes

Technical specifications

Length:	DIN-EN 558-1 - FTF, basic range 1 (DIN 3202 – F1, long version) DIN-EN 558-1 - FTF, basic range 14 (DIN 3202 – F4, short version)
Flange dimensions:	DIN EN 1092, type B2
Flange connections:	Rotating flanges
Mounting position:	Optional
Ambient temperature:	-10 °C to +80 °C
Nominal pressure:	Up to PN 315 (see pressure range for flanges to DIN EN 1092)
Operating fluids:	Mineral oil to DIN 51524 Part 1 and Part 2 (other fluids on request)
Temperature of operating fluid:	-10 °C to +80 °C
Spare parts:	Seal kits available on request
Accessories:	All ball valves can be supplied with the following options: Actuator Limit switch Lock

NOTE

The information in this brochure relates to the operating conditions and applications described.

For applications and operating conditions not described, please contact the relevant technical department.

Subject to technical modifications.

HYDAC Accessories GmbH
Hirschbachstr. 2
66280 Sulzbach/Saar
Tel.: +49 (0)6897 - 509-01
Fax: +49 (0)6897 - 509-1009
Internet: www.hydac.com
E-Mail: info@hydac.com

