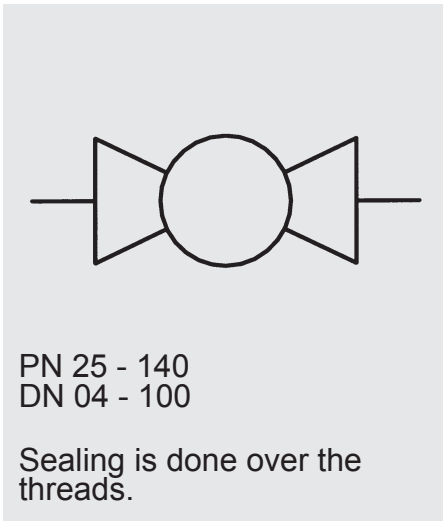


Stainless Steel Low Pressure Ball Valves

KHNVN / KHNVS



Model code
(also order example)

KHNVS **Rp** **1/2** **3333** **18** **X**

Designation

KHNVN – Low pressure ball valve - standard model
KHNVS – Low pressure ball valve - heavy duty model

Type of connection

Rp
G

Thread size

Materials

Housing
3 = Stainless steel (1.4408)

Ball, control spindle
3 = Stainless steel (1.4408)

Ball seals
3 = PTFE

Seals
3 = PTFE

Handle

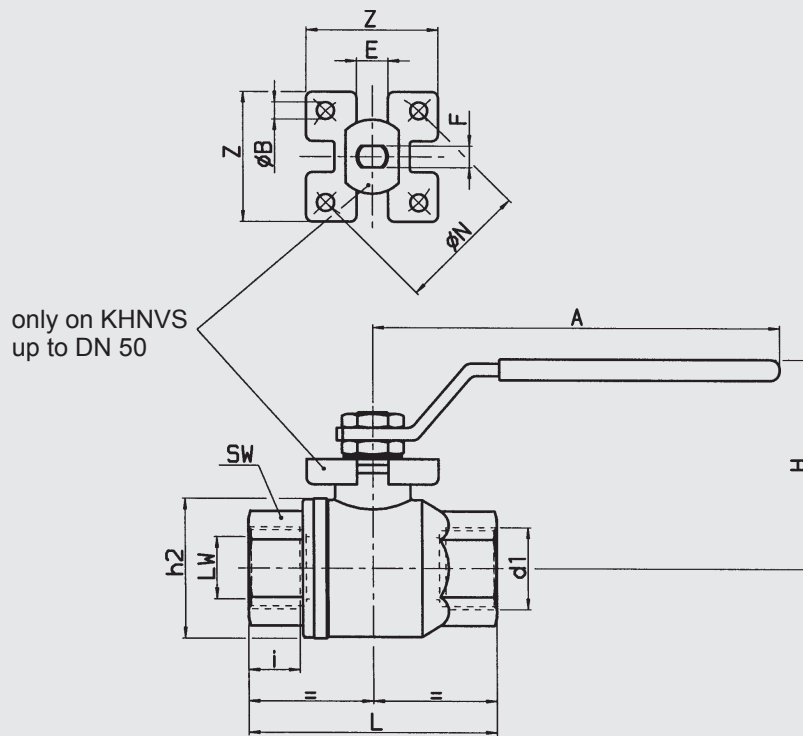
18 = Stainless steel handle, cranked, supplied fitted

Series

(determined by manufacturer)

Dimensions

KHNVN / KHNVS



| Type | d1 | Nominal bore DN | ØLW Int. diam. | PN [bar] | i [mm] | L [mm] | H [mm] | A [mm] | SW [mm] | Weight [kg] |
|-------|--------|--------------------|-------------------|-------------|-----------|-----------|-----------|-----------|------------|----------------|
| KHNVN | G1/4 | 6 | 9.2 | 64 | 10 | 48.6 | 47.5 | 81 | 19 | 0.24 |
| KHNVN | G3/8 | 10 | 12.5 | 64 | 12 | 52.5 | 52 | 87 | 22 | 0.25 |
| KHNVN | G1/2 | 16 | 15 | 64 | 14.5 | 59 | 56.5 | 100 | 26 | 0.29 |
| KHNVN | G3/4 | 20 | 20 | 64 | 16 | 65 | 58.5 | 100 | 32 | 0.44 |
| KHNVN | G1 | 25 | 25 | 50 | 18 | 76 | 74 | 148 | 41 | 0.72 |
| KHNVN | G1 1/4 | 32 | 32 | 50 | 20 | 90 | 78 | 148 | 50 | 1.20 |
| KHNVN | G1 1/2 | 40 | 38 | 40 | 20 | 102 | 92 | 190 | 55 | 1.82 |
| KHNVN | G2 | 50 | 50 | 40 | 22 | 121.5 | 103 | 190 | 70 | 2.74 |

| Type | d1 | Nominal bore DN | ØLW Int. diam. | PN [bar] | i [mm] | L [mm] | Øh2 [mm] | H [mm] | A [mm] | SW [mm] | Weight [kg] |
|-------|---------|--------------------|-------------------|-------------|-----------|-----------|-------------|-----------|-----------|------------|----------------|
| KHNVS | Rp1/8 | 04 | 8 | 140 | 7.4 | 55.5 | 30 | 50 | 111 | 22 | 0.25 |
| KHNVS | Rp1/4 | 06 | 10 | 140 | 11 | 55.5 | 30 | 50 | 111 | 22 | 0.24 |
| KHNVS | Rp3/8 | 10 | 10 | 140 | 11.4 | 55.5 | 30 | 50 | 111 | 22 | 0.22 |
| KHNVS | Rp1/2 | 16 | 15 | 140 | 15 | 66 | 36 | 53 | 111 | 27 | 0.30 |
| KHNVS | Rp3/4 | 20 | 20 | 105 | 16.3 | 79 | 45 | 68 | 132 | 32 | 0.50 |
| KHNVS | Rp1 | 25 | 25 | 105 | 19.1 | 93 | 54 | 77 | 175 | 41 | 0.95 |
| KHNVS | Rp1 1/4 | 32 | 32 | 64 | 21.4 | 100 | 64 | 83 | 175 | 50 | 1.30 |
| KHNVS | Rp1 1/2 | 40 | 40 | 64 | 21.4 | 110 | 80 | 100 | 250 | 55 | 2.10 |
| KHNVS | Rp2 | 50 | 50 | 64 | 25.7 | 131 | 95 | 108 | 250 | 70 | 3.30 |
| KHNVS | Rp2 1/2 | 65 | 65 | 25 | 30.2 | 159 | 122 | 126 | 321 | 90 | 6.81 |
| KHNVS | Rp3 | 80 | 80 | 25 | 33.3 | 185 | 144 | 137 | 321 | 105 | 10.20 |
| KHNVS | Rp4 | 100 | 100 | 25 | 39.3 | 222 | 177 | 156 | 381 | 130 | 17.40 |

| Type | d1 | ØB | F | E | ØN | Z |
|-------|--------|-----|----|----|-------|----|
| KHNVS | Rp1/8 | – | 5 | 8 | – | – |
| KHNVS | Rp1/4 | 5.5 | 5 | 8 | 36F03 | 36 |
| KHNVS | Rp3/8 | 5.5 | 5 | 8 | 36F03 | 36 |
| KHNVS | Rp1/2 | 5.5 | 5 | 8 | 36F03 | 36 |
| KHNVS | Rp3/4 | 5.5 | 7 | 10 | 42F04 | 42 |
| KHNVS | Rp1 | 5.5 | 8 | 12 | 42F04 | 42 |
| KHNVS | Rp11/4 | 5.5 | 8 | 12 | 42F04 | 42 |
| KHNVS | Rp11/2 | 6.5 | 10 | 16 | 50F05 | 50 |
| KHNVS | Rp2 | 8.5 | 10 | 16 | 50F05 | 50 |

Technical specifications

| | |
|---------------------------------|--|
| Type of connection: | Whitworth female thread to ISO 228 (G) Whitworth female thread to DIN 2999 (Rp) |
| Mounting position: | Optional |
| Ambient temperature: | -20 °C to +160 °C |
| Nominal pressure: | up to PN 140 |
| Operating media: | Mineral oil to DIN 51524 part 1 + 2, gaseous media, compressed air, water other media on request |
| Temperature of operating media: | -20 °C to +160 °C |
| Accessories: | All ball valves can be supplied with the following options: Actuator Limit switch Lock |

NOTE

The information in this brochure relates to the operating conditions and applications described.

For applications and operating conditions not described, please contact the relevant technical department.

The operator is always responsible for determining the product suitability for the specific application. Quantified values for product characteristics are average values for a new product that undergo a time deterioration process.

Subject to technical modifications and errors.

HYDAC Accessories GmbH
Hirschbachstr. 2
66280 Sulzbach/Saar
Tel.: +49 (0)6897 - 509-01
Fax: +49 (0)6897 - 509-1009
Internet: www.hydac.com
E-Mail: info@hydac.com

