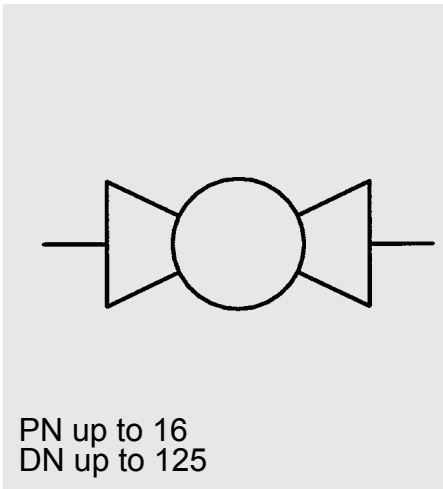




Flange Type Ball Valve DN 65 - 125

KHMFF



PN up to 16
DN up to 125

Model code

(also order example)

KHMFF 080 PN016 8834 02 X

Designation

KHMFF = Sleeve-type flange type ball valve
(short version F4) DN 65 - 100
and DN 125 reduced

Nominal bore

DN 65 - 100	PN 16	Material code	8834
DN 65 - 125	PN 16 reduced	Material code	8232

Pressure range

to DIN EN 1092

Materials

Housing, flange

8 = Cast iron (GG25), spindle in steel

Ball

2 = Brass

8 = Cast iron, hard-chromed

Ball seal

3 = PTFE

Housing seal and control spindle seal

2 = NBR (Perbunan)

4 = FKM (Viton)

Handle

02 = Aluminium clamped handle, cranked DN 16 - 100

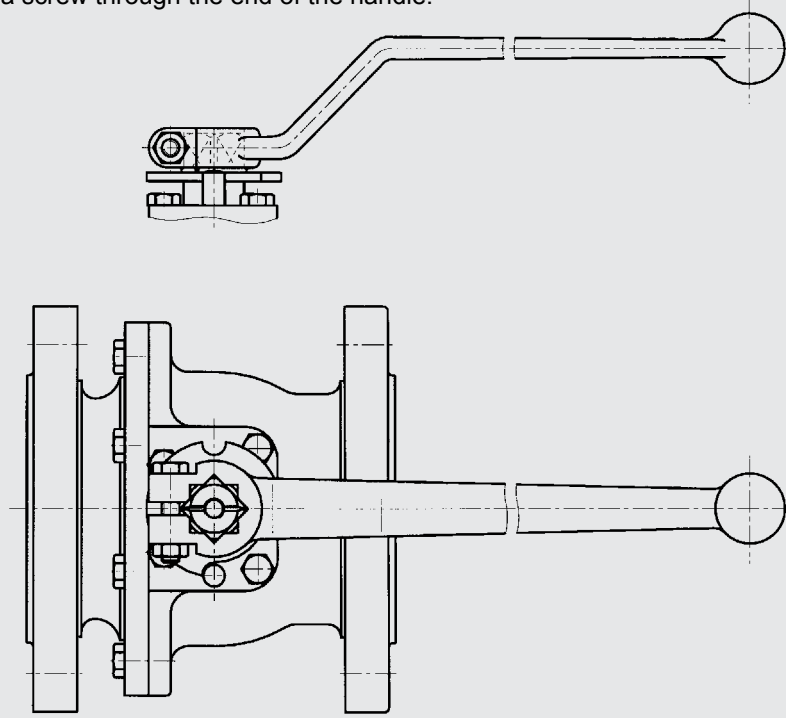
16 = Steel bolt-on handle, cranked, supplied loose
reduced nominal bores DN 65 - 125

Series

(determined by manufacturer)

Notes on assembly

The clamped handle is pushed onto the square end of the ball valve spindle and clamped to the square by means of a screw through the end of the handle.



The handles can be displaced by 45° DN 65 -100.
(Except for DN 65 - 125 reduced with fixed handle position)

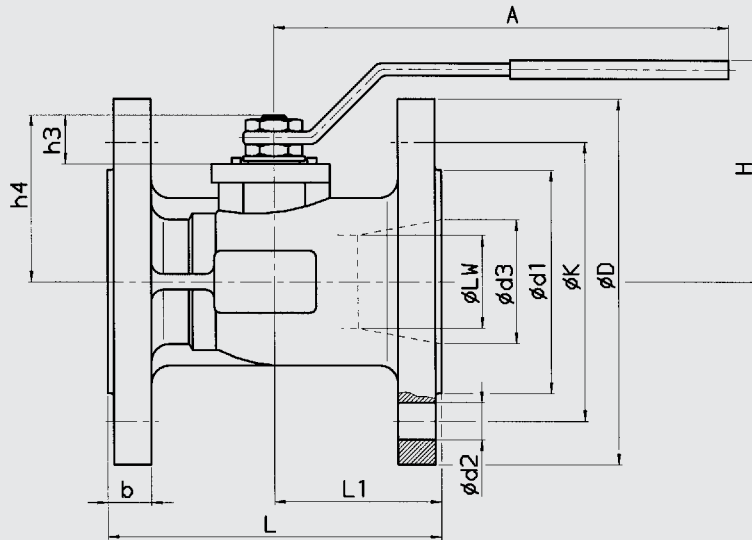
SW 22

Torque value

10 Nm

Dimensions

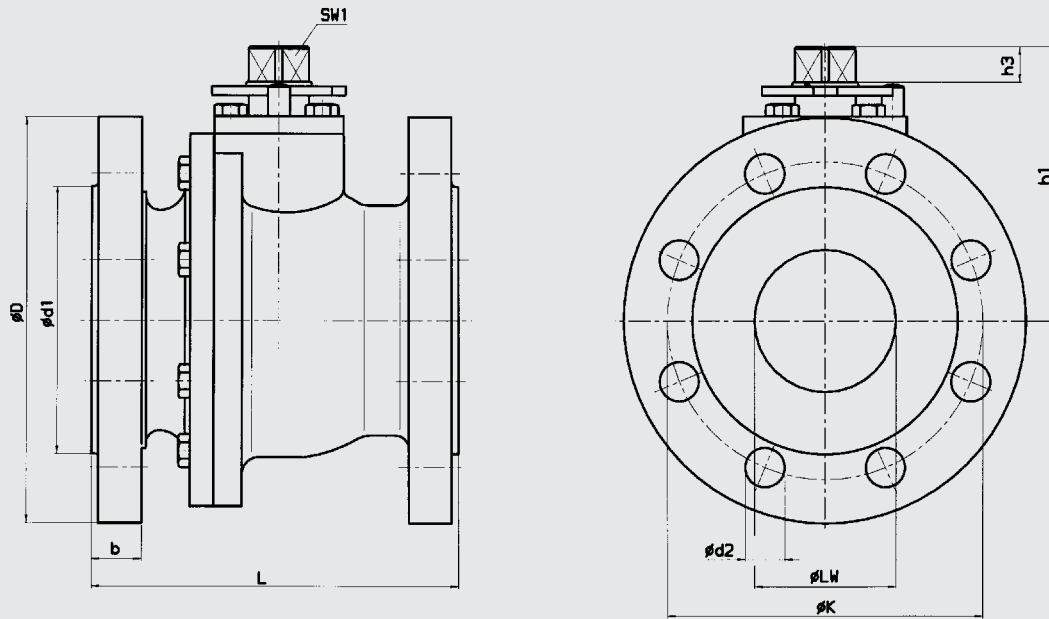
KHMFF (reduced)



Type of conn. / sealing face	Type	Pressure range	LW	A	L	L1	D	d1	d2	d3	K	b	H	h3	h4	Z*	Weight [kg]	Length DIN 3202
Flange connection DIN EN 1092, Form B2 F4	KHMFF - 065	16	50.2*	250	170	85	185	122	18	65	145	18	112	23	86.5	4	10.5	F4
	KHMFF - 080	16	64*	321	180	90	200	138	18	80	160	20	128	29	105	8	15	F4
	KHMFF - 100	16	76*	321	190	95	220	158	18	100	180	20	138	29	114.5	8	18	F4
	KHMFF - 125	16	95*	381	200	100	250	188	18	125	210	22	157	33	137.5	8	26.5	F4

* = reduced nominal bore
Z* = number of fixing holes

KHMFF (DN 65-100)



Type of conn./ sealing face	Type	Pressure range	LW	L	D	d1	d2	K	b	h1	h3	SW1	Z*	Weight (kg)
Flange connection DIN EN 1092, Form B2 F4	KHMFF - 065	10 - 16	65	170	185	122	18	145	21.5	118	16	22	4	17
	KHMFF - 080	10 - 16	80	180	200	138	18	160	24	128	16	22	8	20
	KHMFF - 100	10 - 16	100	190	220	158	18	180	22	142.5	16	22	8	24

Z* = number of fixing holes

NOTE

The information in this brochure relates to the operating conditions and applications described.

For applications and operating conditions not described, please contact the relevant technical department.

Subject to technical modifications.

HYDAC Accessories GmbH
Hirschbachstr. 2
66280 Sulzbach/Saar
Tel.: +49 (0)6897 - 509-01
Fax: +49 (0)6897 - 509-1009
Internet: www.hydac.com
E-Mail: info@hydac.com

