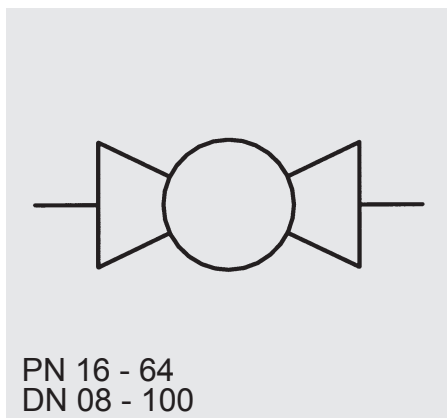


## Weld-Type Low Pressure Ball Valves

### KHM3S



#### Model code

(also order example)

**KHM3S 20 1333 16 X**

#### Designation

KHM3S = Three-part weld-type low pressure ball valve

#### Nominal bore

#### Materials

*Housing, butt weld*

- 1 = Steel
- 3 = Stainless steel

*Ball, spindle*

- 3 = Stainless steel

*Ball seals*

- 3 = PTFE

*Seals*

- 3 = PTFE

#### Handle

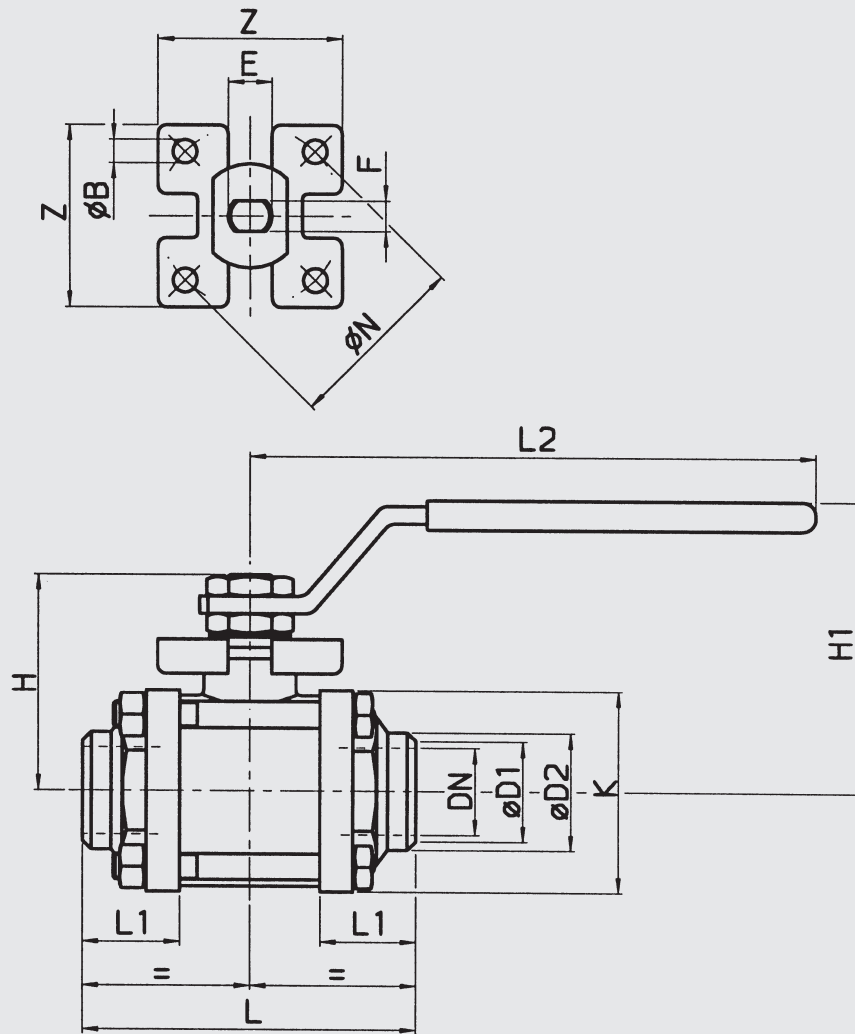
- 16 = Steel bolt-on handle, cranked, supplied fitted
- 18 = Stainless steel bolt-on handle, cranked, supplied fitted      DN 10 - 50

#### Series

(determined by manufacturer)

## Dimensions

### KHM3S



| Type       | DN  | D1     | D2    | H    | H1    | L     | L1   | L2  |
|------------|-----|--------|-------|------|-------|-------|------|-----|
| KHM3S - 8  | 8   | –      | –     | 35   | 50    | 57    | 18   | 110 |
| KHM3S - 10 | 10  | 12.48  | 17.1  | 35   | 50    | 57    | 18   | 110 |
| KHM3S - 15 | 15  | 15.76  | 21.3  | 47   | 64    | 65    | 20.5 | 131 |
| KHM3S - 20 | 20  | 20.96  | 26.7  | 51.5 | 68    | 76    | 22.5 | 131 |
| KHM3S - 25 | 25  | 26.64  | 33.4  | 60   | 78.5  | 92    | 27   | 174 |
| KHM3S - 32 | 32  | 35.08  | 42.2  | 64.5 | 83.5  | 106.5 | 30   | 174 |
| KHM3S - 40 | 40  | 40.94  | 48.3  | 79   | 100   | 116   | 31   | 250 |
| KHM3S - 50 | 50  | 52.48  | 60.3  | 86   | 107   | 136   | 36   | 250 |
| KHM3S - 65 | 65  | 62.68  | 73    | 103  | 126.5 | 153.5 | 38.5 | 321 |
| KHM3S - 80 | 80  | 77.92  | 88.9  | 114  | 137.5 | 180   | 43   | 321 |
| KHM3S -100 | 100 | 102.26 | 114.3 | 137  | 156.5 | 217   | 50   | 381 |

| Type       | K    | Z  | B   | N       | F  | E  | Weight [kg] | PN [bar] |
|------------|------|----|-----|---------|----|----|-------------|----------|
| KHM3S - 8  | 33   | –  | –   | –       | 5  | 8  | 0.28        | 64       |
| KHM3S - 10 | 33   | –  | –   | –       | 5  | 8  | 0.28        | 64       |
| KHM3S - 15 | 38   | 36 | 6   | 36 F03  | 7  | 10 | 0.40        | 64       |
| KHM3S - 20 | 46.5 | 42 | 5.5 | 42 F04  | 7  | 10 | 0.60        | 40       |
| KHM3S - 25 | 58   | 42 | 5.5 | 42 F04  | 8  | 12 | 1.10        | 40       |
| KHM3S - 32 | 66.5 | 42 | 5.5 | 42 F04  | 8  | 12 | 1.50        | 25       |
| KHM3S - 40 | 76   | 50 | 6.5 | 50 F05  | 10 | 16 | 2.10        | 25       |
| KHM3S - 50 | 90   | 50 | 6.5 | 50 F05  | 10 | 16 | 3.20        | 25       |
| KHM3S - 65 | 134  | 64 | M 8 | 70 F07  | 14 | 20 | 8.15        | 16       |
| KHM3S - 80 | 161  | 64 | M 8 | 70 F07  | 14 | 20 | 12.80       | 16       |
| KHM3S -100 | 190  | 92 | M10 | 102 F10 | 18 | 24 | 21.50       | 16       |

## Technical specifications

|                                 |   |
|---------------------------------|---|
| Type of connection:             | Butt weld   |
| Mounting position:              | Optional  |
| Ambient temperature:            | -20 °C to + 160 °C  |
| Nominal pressure:               | up to PN 64   |
| Operating fluids:               | Mineral oil to DIN 51524 part 1 + 2, gaseous media, compressed air, water<br>other media on request |
| Temperature of operating fluid: | -20 °C to + 160 °C  |
| <b>Spare parts:</b>             | Seal kits available on request  |
| <b>Accessories:</b>             | All ball valves can be supplied with the following options: Actuator<br>Limit controls<br>Lock      |

### NOTE

The information in this brochure relates to the operating conditions and applications described.

For applications and operating conditions not described, please contact the relevant technical department.

Subject to technical modifications.

**HYDAC Accessories GmbH**  
Hirschbachstr. 2  
**66280 Sulzbach/Saar**  
Tel.: +49 (0)6897 - 509-01  
Fax: +49 (0)6897 - 509-1009  
Internet: [www.hydac.com](http://www.hydac.com)  
E-Mail: [info@hydac.com](mailto:info@hydac.com)

