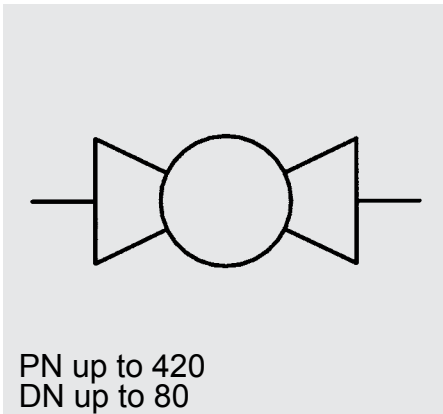
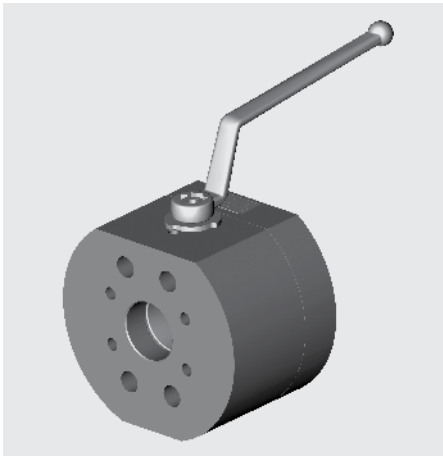


## SAE Fixed Flange Ball Valves

### KHF3/6



#### Model code

(also order example)

KHF3/6 20 1114 16 X A

#### Designation

KHF3/6 = Fixed flange ball valve

#### Nominal bore

#### Materials

*Housing, connection adapters*

- 1 = Steel
- 3 = Stainless steel
- 5 = Structural steel ST52-3

*Ball, control spindle*

- 1 = Steel
- 3 = Stainless steel

*Ball seal*

- 1 = POM
- 3 = PTFE
- 8 = PEEK

*Control spindle seal*

- 2 = NBR (Perbunan)
- 3 = PTFE
- 4 = FKM (Viton)

#### Handle

- 05 = Steel bolt-on handle, straight
- 16 = Steel bolt-on handle, cranked, fitted
- 18 = Stainless steel bolt-on handle, cranked, fitted
- 36 = Steel bolt-on handle, cranked, long, fitted

#### Series

(determined by manufacturer)

#### Surface protection

- ... = Phosphate-plated (no details required)
- A = Zinc-plated, chrome (VI)-free

## Technical specifications

Types of connection:	SAE fixed flanges to ISO 6162, Table 1 and 2 (SAE J 518 c), either with metric or UNC thread
Mounting position:	Optional
Ambient temperature:	-10 °C to +80 °C
Nominal pressure:	420 bar
Operating fluids:	Mineral oil to DIN 51524 part 1 and part 2 (other fluids on request)
Temperature of operating fluid:	-10 °C to +80 °C
Spare parts:	Seal kits available on request

### Metric thread version

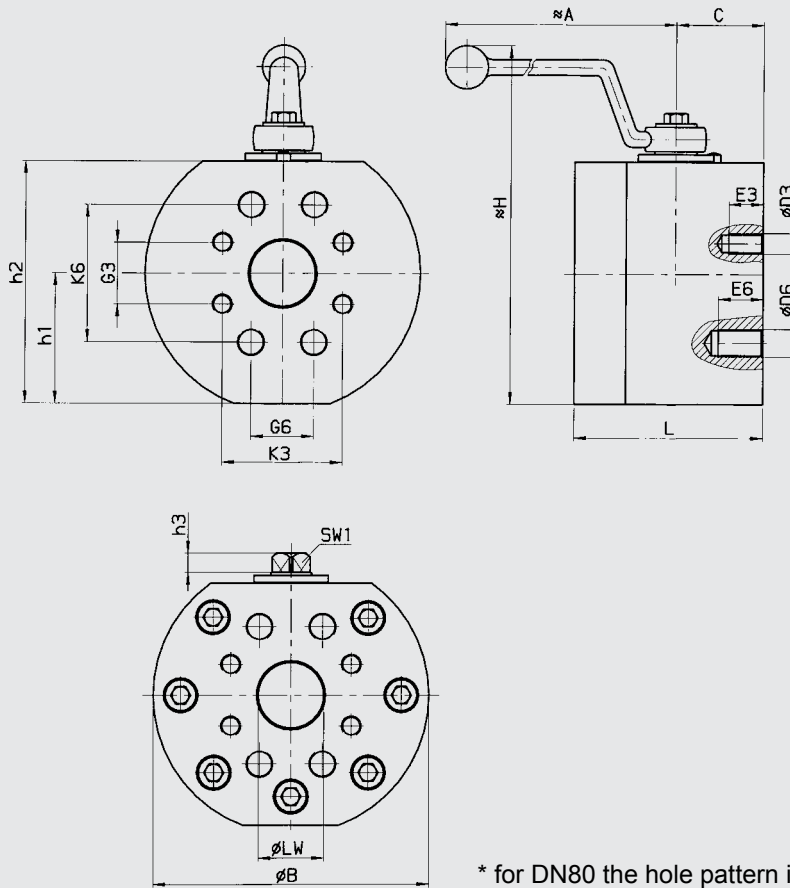
Connection type	SAE Size	Nominal bore / Type	Nominal bore DN	Nominal pressure PN [bar] *	Weight [kg]
Fixed flange connection ISO 6162 Table 1+2 (SAE J 518 c) <b>F3/F6</b>	1/2 "	KHF3/6 - 16 - 1114-16X-A	16	420	2.5
	3/4 "	KHF3/6 - 20 - 1114-16X-A	20	420	3.9
	1 "	KHF3/6 - 25 - 1114-16X-A	25	420	6.0
	1 1/4 "	KHF3/6 - 32 - 1114-36X-A-M12	32	420	11.6
	1 1/4 "	KHF3/6 - 32 - 1114-36X-A-M14	32	420	11.6
	1 1/2 "	KHF3/6 - 40 - 1114-36X-A	40	420	16.4
	2 "	KHF3/6 - 50 - 1114-36X-A	50	420	24.9
	2 1/2 "	KHF3/6 - 65 - 5314-05X-A	65	420	60.0
	3 "	KHF3/6 - 80 - 5314-05X-A	80	420	64.0

### UNC thread version

Connection type	SAE Size	Nominal bore / Type	Nominal bore DN	Nominal pressure PN [bar] *	Weight [kg]
Fixed flange connection ISO 6162 Table 1+2 (SAE J 518 c) <b>F3/F6</b>	1/2 "	KHF3/6 - 16 - 1114-16X-UNC	16	420	2.5
	3/4 "	KHF3/6 - 20 - 1114-16X-UNC	20	420	3.9
	1 "	KHF3/6 - 25 - 1114-16X-UNC	25	420	6.0
	1 1/4 "	KHF3/6 - 32 - 1114-36X-UNC	32	420	11.6
	1 1/2 "	KHF3/6 - 40 - 1114-36X-UNC	40	420	16.4
	2 "	KHF3/6 - 50 - 1114-36X-UNC	50	420	24.9

\* = The permitted operating pressure for the flange connection must be adhered to.

## Dimensions



\* for DN80 the hole pattern is rotated by 90°

### KHF3/6

Type	SAE size	DN	LW	L	C	H	h1	h2	h3	B	SW1	A
KHF3/6-16	1/2"	16	13	75	32.5	136.6	37.5	77.5	11	79	12	169
KHF3/6-20	3/4"	20	19	80	34.3	155.2	46	90	11.6	99	14	169
KHF3/6-25	1"	25	25	88	38	167.2	55	102	11.6	119	14	169
KHF3/6-32	1 1/4"	32	30	100	44	211.5	65	124	12	139	17	306
KHF3/6-40	1 1/2"	40	38	110	51	227.5	75	140	12	159	17	306
KHF3/6-50	2"	50	48	116	54	244	84	156.6	12	179	17	306
KHF3/6-65	2 1/2"	65	63	170	80	317	120	234	27.9	240	27	900
KHF3/6-80	3"	80*	76	170	80	336.5	129	253	27.9	258	27	900

### Connection dimensions - metric

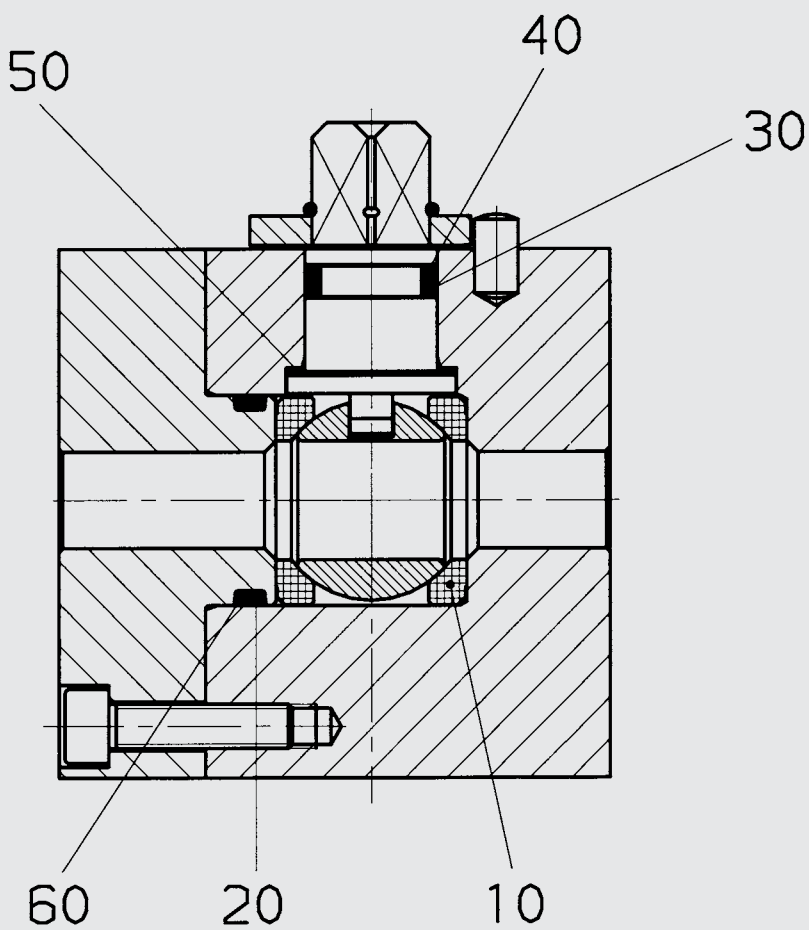
Type	K3	G3	D3	E3	K6	G6	D6	E6
KHF3/6-16	38.1	17.5	M8	16	40.5	18.2	M8	16
KHF3/6-20	47.6	22.3	M10	18	50.8	23.8	M10	18
KHF3/6-25	52.4	26.2	M10	18	57.2	27.8	M12	21
KHF3/6-32 / M12	58.7	30.2	M10	18	66.6	31.8	M12	21
KHF3/6-32 / M14	58.7	30.2	M10	18	66.6	31.8	M14	21
KHF3/6-40	69.9	35.7	M12	20	79.3	36.5	M16	26
KHF3/6-50	77.8	42.9	M12	22	96.8	44.5	M20	34
KHF3/6-65	88.9	50.8	M12	19	123.8	58.8	M24	41
KHF3/6-80	106.4	61.9	M16	24	152.4	71.4	M30	47

### Connection dimensions - UNC

Type	K3	G3	D3	E3	K6	G6	D6	E6
KHF3/6-16	38.1	17.5	5/16-18-UNC	16	40.5	18.2	5/16-18-UNC	16
KHF3/6-20	47.6	22.3	3/8-16-UNC	18	50.8	23.8	3/8-16-UNC	19
KHF3/6-25	52.4	26.2	3/8-16-UNC	21	57.2	27.8	7/16-14-UNC	21
KHF3/6-32	58.7	30.2	7/16-14-UNC	18	66.6	31.8	1/2-13-UNC	21
KHF3/6-40	69.9	35.7	1/2-13-UNC	26	79.3	36.5	5/8-11-UNC	26
KHF3/6-50	77.8	42.9	1/2-13-UNC	22	96.8	44.5	3/4-10-UNC	30

## Spare parts

(Seal kit)



## NOTE

The information in this brochure relates to the operating conditions and applications described.

For applications and operating conditions not described, please contact the relevant technical department.

Subject to technical modifications.

Seal kit	Order no. = part no.
DN 16	3015691
DN 20	3015694
DN 25	3015695
DN 32	3015696
DN 40	3015697
DN 50	3015698
DN 65	3791490
DN 80	3791492

**HYDAC Accessories GmbH**  
Hirschbachstr. 2  
**66280 Sulzbach/Saar**  
Tel.: +49 (0)6897 - 509-01  
Fax: +49 (0)6897 - 509-1009  
Internet: [www.hydac.com](http://www.hydac.com)  
E-Mail: [info@hydac.com](mailto:info@hydac.com)