

ANSI Flange Ball Valve KHBF / KHMF

Model code

(also order example)

KHBF 20 A0150 ... 11141 02 X ...

Designation

KHBF = Block-type ball valve DN 16 – 25
KHMF = Sleeve-type ball valve DN 32 – 50

Nominal size

(DN)

Pressure range

(acc. to ASME / ANSI - B16.5)

Sealing surface

... = Smooth seal face (no details required)
RTJ = Seal face with O-ring

Materials

Housing, connection adapters

1 = Steel
3 = Stainless steel

Ball, control spindle

1 = Steel
3 = Stainless steel

Ball seal

1 = POM (polyacetal)
8 = PEEK

Soft seal

2 = NBR (Perbunan)
4 = FKM (Viton)

Flanges

1 = Steel
3 = Stainless steel

(other materials on request)

Handle

02 = Aluminium clamped handle, cranked DN 16 - 25
06 = Steel bolt-on handle, cranked DN 32 - 50

Series

(determined by manufacturer)

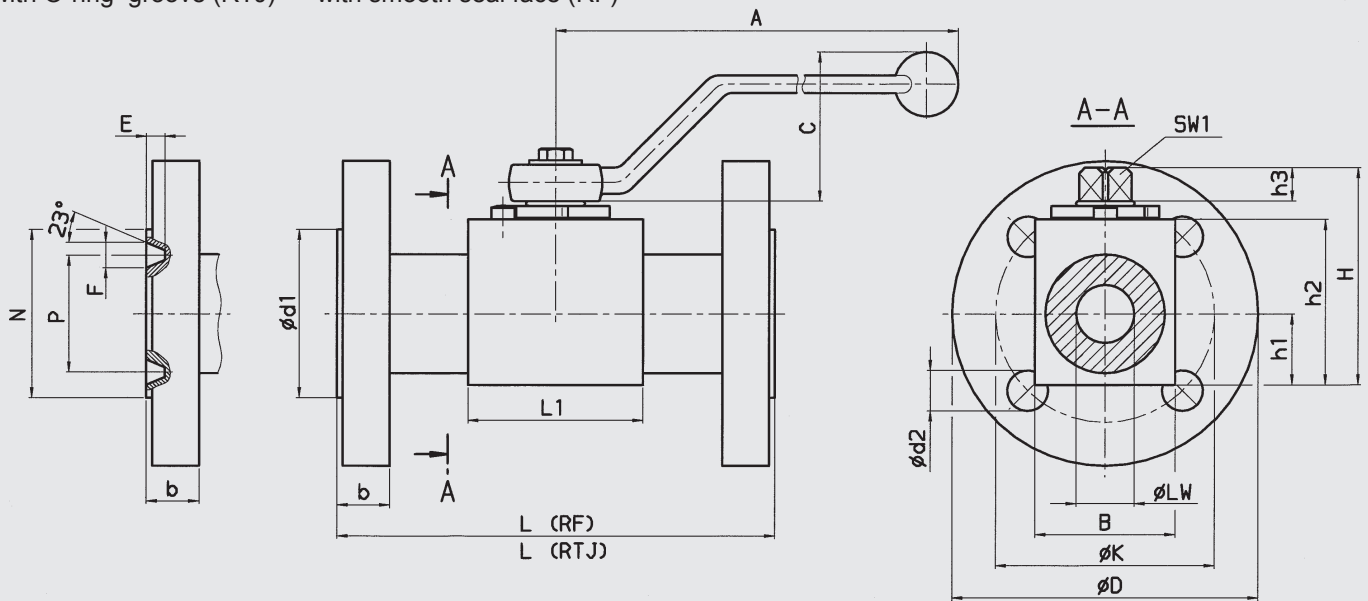
Surface protection

A = Zinc-plated, chrome (VI)-free
ZN = Zinc-nickel, chrome (VI)-free

Dimensions

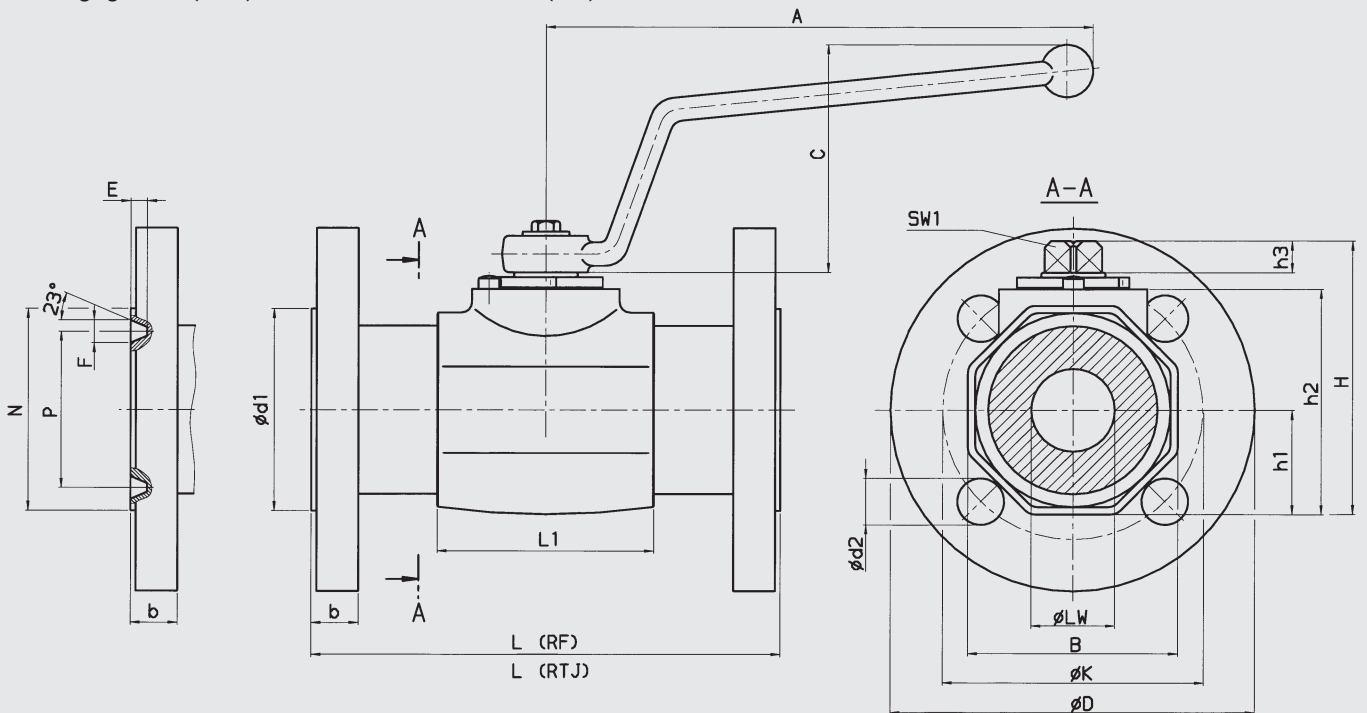
KHBF

with O-ring groove (RTJ) with smooth seal face (RF)



KHMF

with O-ring groove (RTJ) with smooth seal face (RF)



Type of constr.	Housing dimensions [mm]												PN (ball valve) [bar]
	Type	DN	LW	L1	B	H	h1	h2	h3	SW1	A	C	
Block housing DN 16-25	KHBF-16	16 - 1/2"	15	47	38	62	19	45	11	12	169	59	400
	KHBF-20	20 - 3/4"	20	60	48	75	24.5	57	11	14	169	59	350
	KHBF-25	25 - 1"	25	65	57	81.5	28.5	64	11	14	169	59	350
Sleeve housing DN 32-50	KHMF-32	32 - 1 1/4"	30	84	75	103	38	85	12	17	228	80	350
	KHMF-40	40 - 1 1/2"	38	91	85	114	43	96	12	17	228	80	350
	KHMF-50	50 - 2"	48	100	105	131.5	53	113	12	17	228	80	350

Flange dimensions ANSI class 150 [mm]

DN	L (RF)	L (RTJ)	D	d1	d2	k	b	z*	N	P	F	E	Weight [kg]
16 - 1/2"	108	-	88.9	35.1	15.8	60.5	11.2	4	-	-	-	-	1.8
20 - 3/4"	117.4	-	98.6	42.9	15.8	69.9	12.7	4	-	-	-	-	2.9
25 - 1"	127	139.7	108	50.8	15.8	79.2	14.2	4	63.5	47.6	8.7	6.4	4.0
32 - 11/4"	139.7	152.4	117.3	63.5	15.8	88.9	15.7	4	73.2	57.2	8.7	6.4	6.4
40 - 11/2"	165.1	177.8	127	73.2	15.8	98.6	17.5	4	82.6	65.1	8.7	6.4	7.5
50 - 2"	177.8	190.5	152.4	91.9	19	120.7	19	4	101.6	82.6	8.7	6.4	11.1

Flange dimensions ANSI class 300 [mm]

DN	L (RF)	L (RTJ)	D	d1	d2	k	b	z*	N	P	F	E	Weight [kg]
16 - 1/2"	139.7	150.9	95.3	35.1	15.8	66.6	14.2	4	50.8	34.1	7.1	5.6	2.2
20 - 3/4"	152.4	165.1	117.4	42.9	19	82.6	15.7	4	63.5	42.9	8.7	6.4	3.9
25 - 1"	165.1	177.8	124	50.8	19	88.9	17.5	4	69.9	50.8	8.7	6.4	5.0
32 - 11/4"	177.8	190.5	133.4	63.5	19	98.6	19	4	79.3	60.3	8.7	6.4	8.3
40 - 11/2"	190.5	203.2	155.5	73.2	22.4	114.3	20.6	4	90.4	68.3	8.7	6.4	9.9
50 - 2"	215.9	231.7	165.1	91.9	19	127	22.4	8	108	82.6	11.9	7.9	12.8

Flange dimensions ANSI class 400/600 [mm]

DN	L (RF)	L (RTJ)	D	d1	d2	k	b	z*	N	P	F	E	Weight [kg]
16 - 1/2"	165.1	163.6	95.3	35.1	15.8	66.6	20.6	4	50.8	34.1	7.1	5.6	2.5
20 - 3/4"	190.5	190.5	117.4	42.9	19	82.6	22.1	4	63.5	42.9	8.7	6.4	4.4
25 - 1"	215.9	215.9	124	50.8	19	88.9	23.9	4	69.9	50.8	8.7	6.4	5.5
32 - 11/4"	228.6	228.6	133.4	63.5	19	98.6	26.9	4	79.3	60.3	8.7	6.4	9.2
40 - 11/2"	241.3	241.3	155.4	73.2	22.4	114.3	28.7	4	90.4	68.3	8.7	6.4	11.1
50 - 2"	292.1	295.2	165.1	91.9	19	127	31.8	8	108	82.6	11.9	7.9	14.7

Flange dimensions ANSI class 900/1500 [mm]

DN	L (RF)	L (RTJ)	D	d1	d2	k	b	z*	N	P	F	E	Weight [kg]
16 - 1/2"	215.9	215.9	120.7	35.1	22.4	82.6	28.7	4	60.5	39.7	8.7	6.4	4.9
20 - 3/4"	228.6	228.6	130.1	42.9	22.4	88.9	31.8	4	66.6	44.5	8.7	6.4	6.7
25 - 1"	254	254	149.4	50.8	25.4	101.6	34.8	4	71.4	50.8	8.7	6.4	9.7
32 - 11/4"	279.4	279.4	158.8	63.5	25.4	111.3	34.8	4	81	60.3	8.7	6.4	13.5
40 - 11/2"	304.8	304.8	177.8	73.2	28.5	124	38.1	4	92	68.3	8.7	6.4	17.4
50 - 2"	368.3	371.4	215.9	91.9	25.4	165.1	44.5	8	124	95.3	11.9	7.9	28.4

Flange dimensions ANSI class 2500 [mm]

DN	L (RF)	L (RTJ)	D	d1	d2	k	b	z*	N	P	F	E	Weight [kg]
16 - 1/2"	263.7	263.7	133.4	35.1	22.4	88.9	36.6	4	65	42.9	8.7	6.4	9.0
20 - 3/4"	273.1	273.1	139.7	42.9	22.4	95.3	38.1	4	73.2	50.8	8.7	6.4	11.5
25 - 1"	307.9	307.9	158.8	50.8	25.4	108	41.4	4	82.6	60.3	8.7	6.4	14.8
32 - 11/4"	349.3	352.3	184.2	63.5	28.5	130.1	44.5	4	101.6	72.2	11.9	7.9	21.9
40 - 11/2"	384.1	387.1	203.1	73.2	31.8	146	50.8	4	114.3	82.6	11.9	7.9	29.5
50 - 2"	450.9	453.9	235	91.9	28.5	171.5	57.2	8	133.4	101.6	11.9	7.9	43.0

z* = number of fixing holes

Technical specifications

Length:	ASME / ANSI - B16.10		
Flange dimensions:	ASME / ANSI - B16.5		
Flange connections:	Rotating flanges		
Mounting position:	Optional		
Ambient temperature:	-10 °C to +80 °C		
Nominal pressure:	up to 400 bar		
Operating fluids:	Mineral oil to DIN 51524 Part 1 and Part 2 (other fluids on request)		
Temperature of operating fluid:	-10 °C to +80 °C		
Spare parts:	Seal kits available on request		
Accessories:	All ball valves can be supplied with the following options:		Actuator Limit controls Lock

NOTE

The information in this brochure relates to the operating conditions and applications described. For applications and operating conditions not described, please contact the proper HYDAC department.

The operator is always responsible for determining the product suitability for the specific application. Quantified values for product characteristics are average values for a new product that undergo a time deterioration process.

Subject to technical modifications and errors.

HYDAC Accessories GmbH

Hirschbachstr. 2
66280 Sulzbach/Saar
 Tel.: +49 (0)6897 - 509-01
 Fax: +49 (0)6897 - 509-1009
 Internet: www.hydac.com
 E-Mail: info@hydac.com

