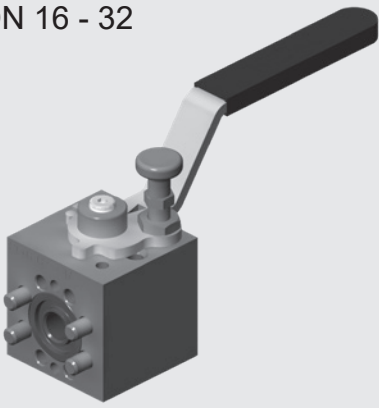
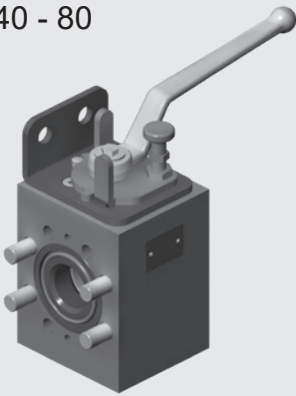


DN 16 - 32



DN 40 - 80



PN up to 420
DN 16 - 80

Direct flanged ball valve KHDF3 / KHDF6

Model code

(also order example)

KHDF3 16 1114 18X A ...

Designation

KHDF3 = direct flange ball valve 3000 psi
KHDF6 = direct flange ball valve 6000 psi

Nominal bore

(DN)

Materials

Housing, connection adapters

- 1 = steel (standard)
- 3 = stainless steel

Ball, control spindle

- 1 = steel (standard)
- 3 = stainless steel

Ball seal

- 1 = POM

Control spindle seal

- 2 = NBR (Perbunan)
- 4 = FKM (Viton) (standard)

Handle

- 18 = stainless steel bolt-on handle, cranked DN 16 - 32
- 16 = steel bolt-on handle, cranked DN 40 - 80

Surface protection

- A = zinc-plated, chrome (VI)-free (standard)

Option

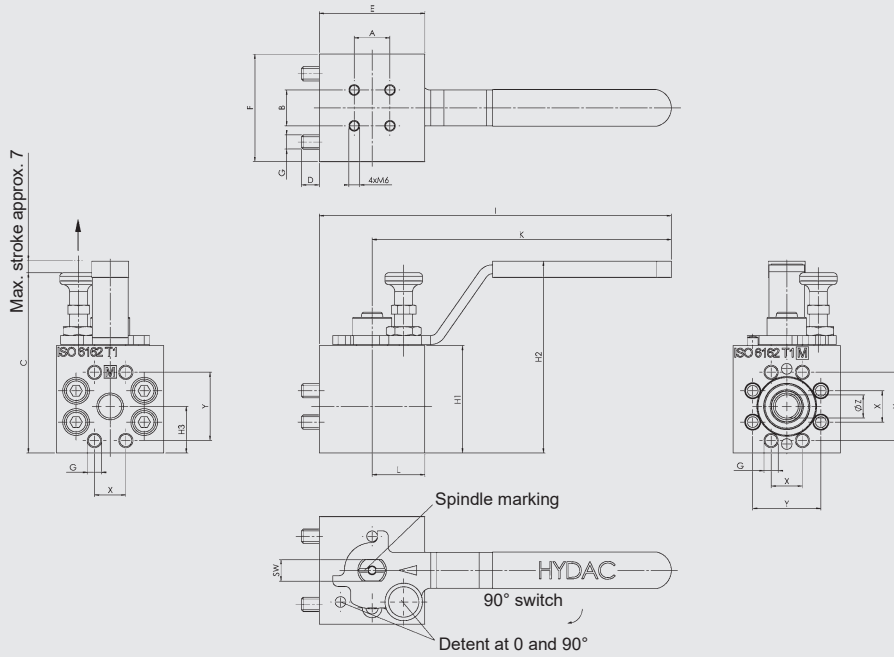
- SO 760 = ball valve can be locked in open and closed position using padlock, padlock not supplied
- I-1.300 = adapted for proximity switch M12, monitoring of ball valve in either open, closed or both positions
- I-1.200 = with standard M12 proximity switch, monitoring of ball valve in open position
- I-3.200 = with 2 standard M12 proximity switches, monitoring of ball valve in both positions

Note

For DN40-50-65 the ball has dual bearings (EASY SWITCH)
Detent on open and closed positions as standard
4 fastening screws supplied

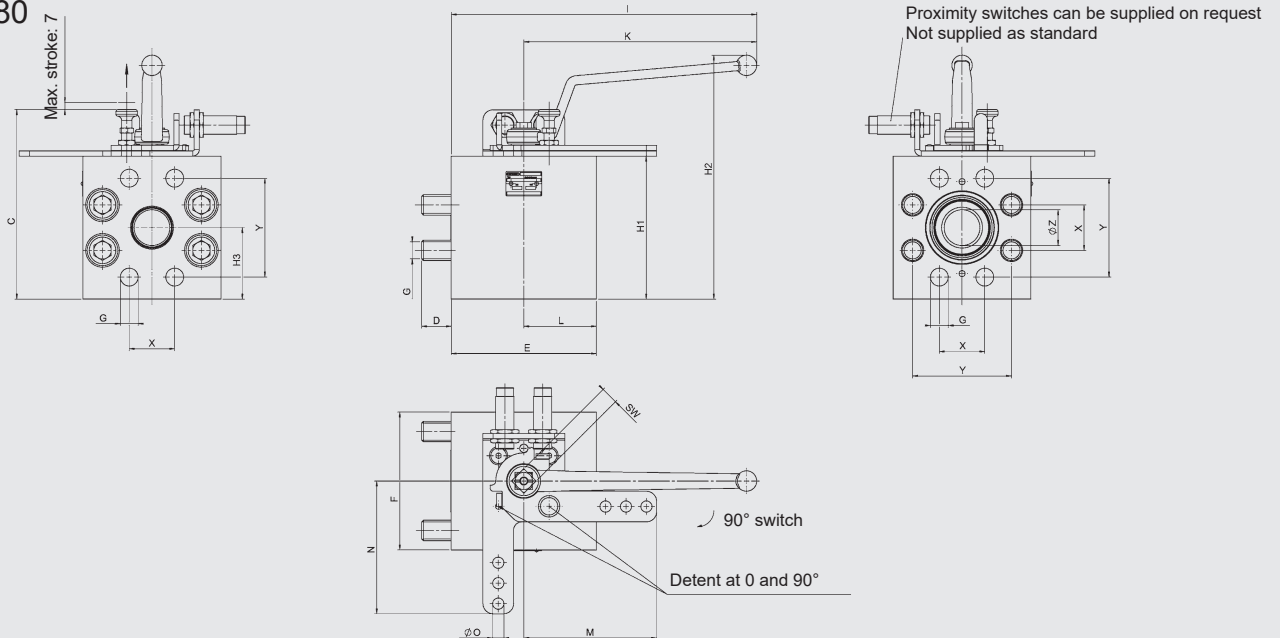
Dimensions

DN 16 - 32



Type	A	B	C	D	E	F	G	H1	H2	H3	I	K	L	X	Y	SW	Z	PN	
																		MPa	PSI
KHDF3-16	20	20	100.6	10	59	60	M8	60	107.1	26	197	167	29.5	17.5	38.1	12	13	35	5000
KHDF3-20	20	20	111	12.6	68	70	M10	70	118	32.5	206	170	32	22.3	47.6	14	19	35	5000
KHDF3-25	25	25	116	11.6	69	75	M10	75	123	37.5	206	170	33	26.2	52.4	14	20	35	5000
KHDF3-32	25	25	126	12	81	85	M10	85	133	42.5	209	170	42	30.2	58.7	14	25	28	4000
KHDF6-16	20	20	105.6	13.5	65	60	M8	65	112.1	31	200	167	32.5	18.2	40.5	12	13	42	6000
KHDF6-20	20	20	116	15	71	75	M10	75	123	37.5	206	170	35	23.8	50.8	14	19	42	6000
KHDF6-25	25	25	126	18	81	85	M12	85	133	42.5	209	170	42	27.8	57.2	14	25	42	6000
KHDF6-32	25	25	141	20	81	100	M12	100	147.5	49.5	209	170	42	31.8	66.6	14	25	42	6000
KHDF6-32	25	25	141	19	81	100	M14	100	147.5	49.5	209	170	42	31.8	66.6	14	25	42	6000

DN40 - 80



Type	C	D	E	F	G	H1	H2	H3	I	K	L	X	Y	SW	Z	PN		Proximity switch
																MPa	PSI	
KHDF3-40	165.5	19	84	94	M12	120	190.7	60	208	169	45	35.7	69.9	14	27	21	3000	M12
KHDF3-50	185.4	19	94	102	M12	140	238.7	70	275	228	47	42.9	77.8	17	35	21	3000	M12
KHDF3-65	200.4	19	114	120	M12	155	253.7	77.5	286	228	56	50.8	88.9	17	45	17.5	2500	M12
KHDF3-80	217.0	25.5	162	158	M16	171	258.0	85.5	381	300	81	61.9	106.4	22	55	16	2300	M18
KHDF6-40	165.4	27	120	115	M16	120	190.7	60	229	169	60	36.5	79.3	14	27	42	6000	M12
KHDF6-50	185.5	29	142	135	M20	140	238.8	70	299	228	71	44.5	96.8	17	35	42	6000	M12

Technical specifications

Types of connection	SAE fixed flanges to SAE J 518-1 + 2
Mounting position	No orientation restrictions
Ambient temperature	-10 °C to +80 °C
Nominal pressure	210 bar or 420 bar
Operating fluids	Mineral oil to DIN 51524 part 1 and part 2 (other fluids on request)
Temperature of operating fluid	-10 °C to +80 °C
Spare parts	Seal kits available on request

NOTE

The information in this brochure relates to the operating conditions and applications described. For applications and operating conditions not described, please contact the relevant technical department.

The operator is always responsible for determining the product suitability for the specific application. Quantified values for product characteristics are average values for a new product that undergo a time deterioration process.

Subject to technical modifications and errors.

HYDAC Accessories GmbH
Hirschbachstr. 2
66280 Sulzbach/Saar
Tel.: +49 (0)6897 - 509-01
Fax: +49 (0)6897 - 509-1009
Internet: www.hydac.com
E-Mail: accessories@hydac.com

