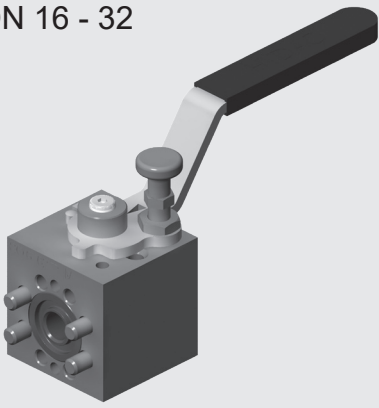
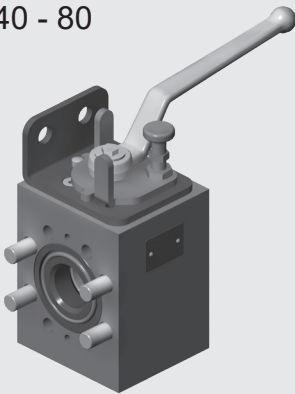


DN 16 - 32



DN 40 - 80



PN up to 420
DN 16 - 80

Direct flanged ball valve KHDF3 / KHDF6

Model code

(also order example)

KHDF3 16 1114 18 X A ...

Designation

KHDF3 = direct flange ball valve 3000 psi
KHDF6 = direct flange ball valve 6000 psi

Nominal bore

(DN)

Materials

Housing, connection adapters

- 1 = steel (standard)
- 3 = stainless steel

Ball, control spindle

- 1 = steel (standard)
- 3 = stainless steel

Ball seal

- 1 = POM

Control spindle seal

- 2 = NBR (Perbunan)
- 4 = FKM (Viton) (standard)

Handle

- 18 = stainless steel bolt-on handle, cranked DN 16 - 32
- 16 = steel bolt-on handle, cranked DN 40 - 80

Series

(determined by manufacturer)

Surface protection

- A = zinc-plated, chrome (VI)-free (standard)

Option

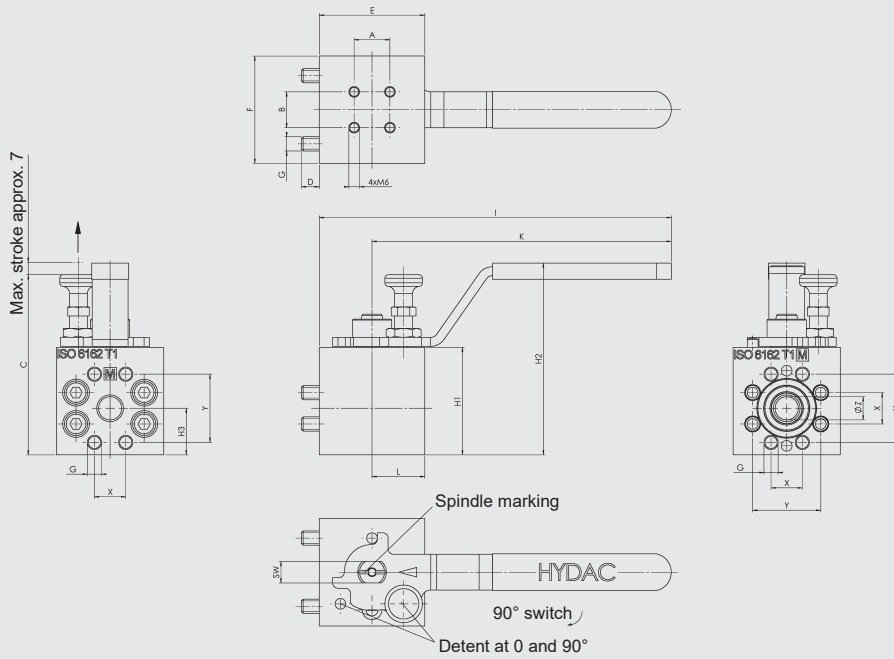
- SO 760 = ball valve can be locked in open and closed position using padlock, padlock not supplied
- I-1.300 = adapted for proximity switch M12, monitoring of ball valve in either open, closed or both positions
- I-1.200 = with standard M12 proximity switch, monitoring of ball valve in open position
- I-3.200 = with 2 standard M12 proximity switches, monitoring of ball valve in both positions

Note

For DN40-50-65 the ball has dual bearings (EASY SWITCH)
Detent on open and closed positions as standard
4 fastening screws supplied

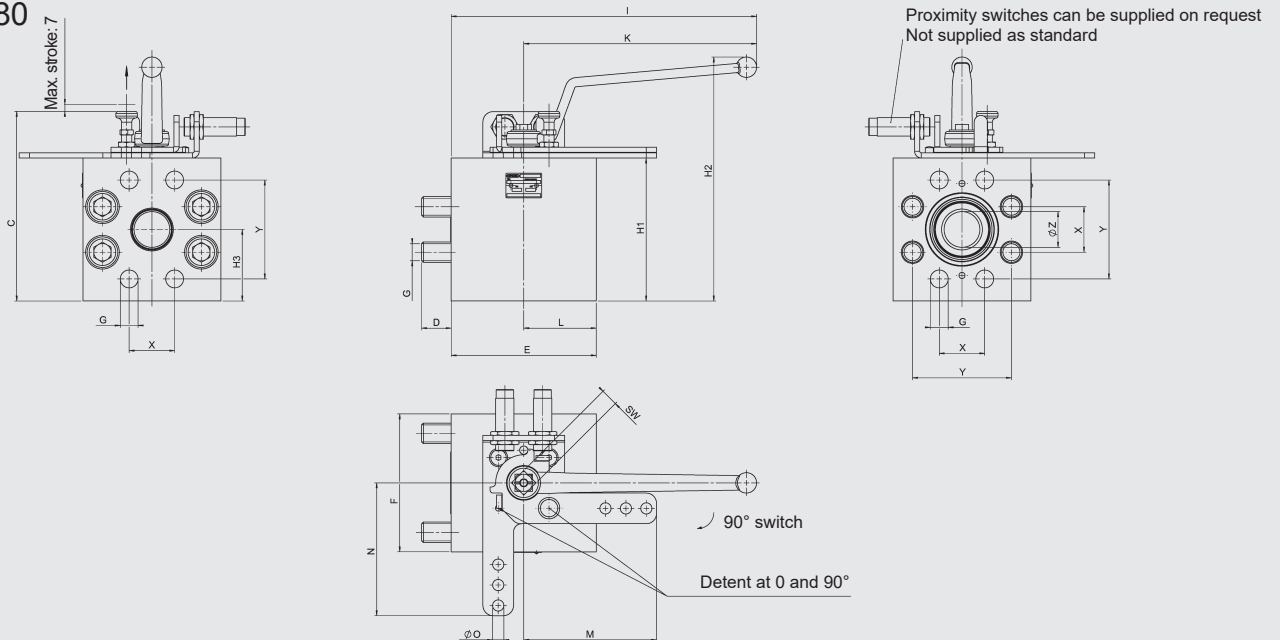
Dimensions

DN 16 - 32



| Type | A | B | C | D | E | F | G | H1 | H2 | H3 | I | K | L | X | Y | SW | Z | PN | |
|----------|----|----|-------|------|----|-----|-----|-----|-------|------|-----|-----|------|------|------|----|----|-----|------|
| | | | | | | | | | | | | | | | | | | MPa | PSI |
| KHDF3-16 | 20 | 20 | 100.6 | 10 | 59 | 60 | M8 | 60 | 107.1 | 26 | 197 | 167 | 29.5 | 17.5 | 38.1 | 12 | 13 | 35 | 5000 |
| KHDF3-20 | 20 | 20 | 111 | 12.6 | 68 | 70 | M10 | 70 | 118 | 32.5 | 206 | 170 | 32 | 22.3 | 47.6 | 14 | 19 | 35 | 5000 |
| KHDF3-25 | 25 | 25 | 116 | 11.6 | 69 | 75 | M10 | 75 | 123 | 37.5 | 206 | 170 | 33 | 26.2 | 52.4 | 14 | 20 | 35 | 5000 |
| KHDF3-32 | 25 | 25 | 126 | 12 | 81 | 85 | M10 | 85 | 133 | 42.5 | 209 | 170 | 42 | 30.2 | 58.7 | 14 | 25 | 28 | 4000 |
| KHDF6-16 | 20 | 20 | 105.6 | 13.5 | 65 | 60 | M8 | 65 | 112.1 | 31 | 200 | 167 | 32.5 | 18.2 | 40.5 | 12 | 13 | 42 | 6000 |
| KHDF6-20 | 20 | 20 | 116 | 15 | 71 | 75 | M10 | 75 | 123 | 37.5 | 206 | 170 | 35 | 23.8 | 50.8 | 14 | 19 | 42 | 6000 |
| KHDF6-25 | 25 | 25 | 126 | 18 | 81 | 85 | M12 | 85 | 133 | 42.5 | 209 | 170 | 42 | 27.8 | 57.2 | 14 | 25 | 42 | 6000 |
| KHDF6-32 | 25 | 25 | 141 | 20 | 81 | 100 | M12 | 100 | 147.5 | 49.5 | 209 | 170 | 42 | 31.8 | 66.6 | 14 | 25 | 42 | 6000 |
| KHDF6-32 | 25 | 25 | 141 | 19 | 81 | 100 | M14 | 100 | 147.5 | 49.5 | 209 | 170 | 42 | 31.8 | 66.6 | 14 | 25 | 42 | 6000 |

DN40 - 80



| Type | C | D | E | F | G | H1 | H2 | H3 | I | K | L | X | Y | SW | Z | PN | | Proximity switch |
|----------|-------|------|-----|-----|-----|-----|-------|------|-----|-----|----|------|-------|----|----|------|------|------------------|
| | | | | | | | | | | | | | | | | MPa | PSI | |
| KHDF3-40 | 165.5 | 19 | 84 | 94 | M12 | 120 | 190.7 | 60 | 208 | 169 | 45 | 35.7 | 69.9 | 14 | 27 | 21 | 3000 | M12 |
| KHDF3-50 | 185.4 | 19 | 94 | 102 | M12 | 140 | 238.7 | 70 | 275 | 228 | 47 | 42.9 | 77.8 | 17 | 35 | 21 | 3000 | M12 |
| KHDF3-65 | 200.4 | 19 | 114 | 120 | M12 | 155 | 253.7 | 77.5 | 286 | 228 | 56 | 50.8 | 88.9 | 17 | 45 | 17.5 | 2500 | M12 |
| KHDF3-80 | 217.0 | 25.5 | 162 | 158 | M16 | 171 | 258.0 | 85.5 | 381 | 300 | 81 | 61.9 | 106.4 | 22 | 55 | 16 | 2300 | M18 |
| KHDF6-40 | 165.4 | 27 | 120 | 115 | M16 | 120 | 190.7 | 60 | 229 | 169 | 60 | 36.5 | 79.3 | 14 | 27 | 42 | 6000 | M12 |
| KHDF6-50 | 185.5 | 29 | 142 | 135 | M20 | 140 | 238.8 | 70 | 299 | 228 | 71 | 44.5 | 96.8 | 17 | 35 | 42 | 6000 | M12 |

Technical specifications

| | |
|--------------------------------|---|
| Types of connection | SAE fixed flanges to SAE J 518-1 + 2 |
| Mounting position | No orientation restrictions |
| Ambient temperature | -10 °C to +80 °C |
| Nominal pressure | 210 bar or 420 bar |
| Operating fluids | Mineral oil to DIN 51524 part 1 and part 2 (other fluids on request) |
| Temperature of operating fluid | -10 °C to +80 °C |
| Spare parts | Seal kits available on request |

NOTE

The information in this brochure relates to the operating conditions and applications described. For applications and operating conditions not described, please contact the relevant technical department.

The operator is always responsible for determining the product suitability for the specific application. Quantified values for product characteristics are average values for a new product that undergo a time deterioration process.

Subject to technical modifications and errors.

HYDAC Accessories GmbH
Hirschbachstr. 2
66280 Sulzbach/Saar
Tel.: +49 (0)6897 - 509-01
Internet: www.hydac.com
E-Mail: accessories@hydac.com

