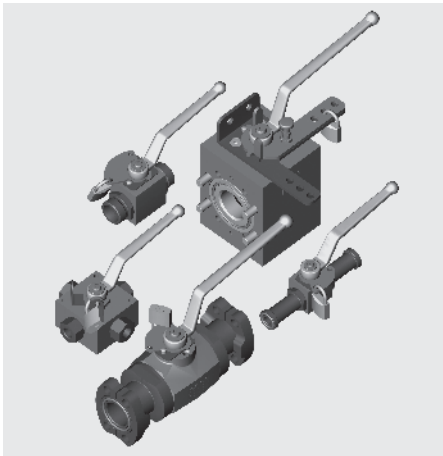


Lockable ball valves



Model code
(also example order)

KHB-16SR-1114-16X SO 760

Designation

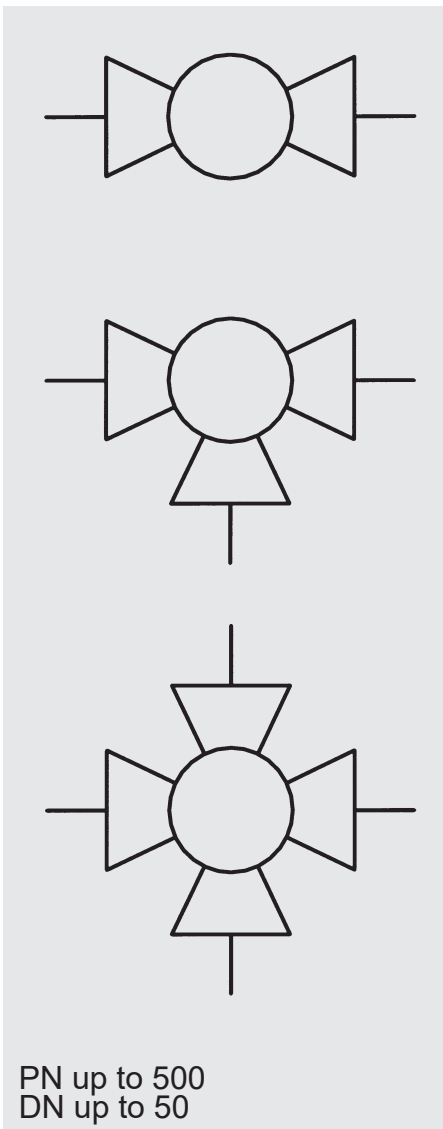
Type of ball valve

Lockable

SO 760 = ball valve can be locked in open and closed position using padlock, padlock not supplied

SO 770 = ball valve can be locked in open and closed position using padlock

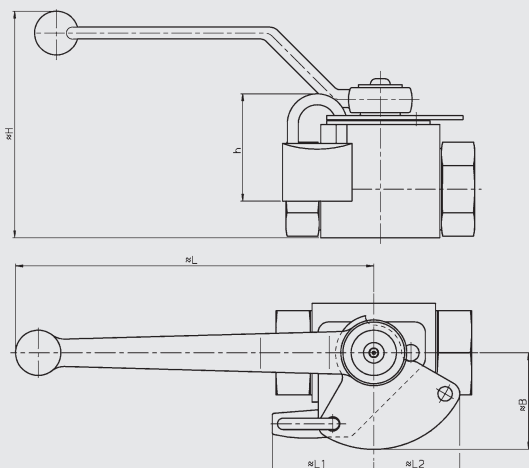
SO 160 = ball valve can be locked in open and closed position using cylinder lock, key can be removed when locked



PN up to 500
DN up to 50

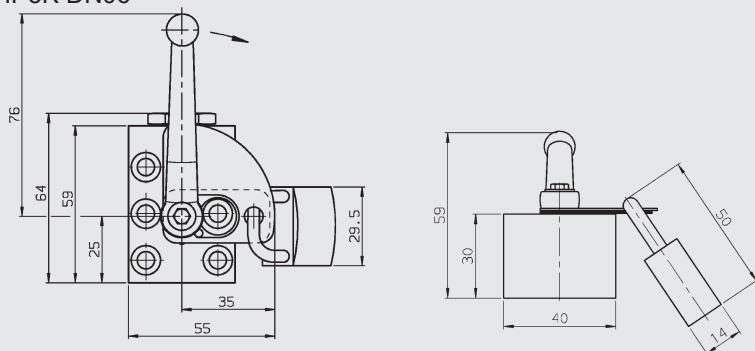
Lockable ball valves SO 760/770

KHB/KHM

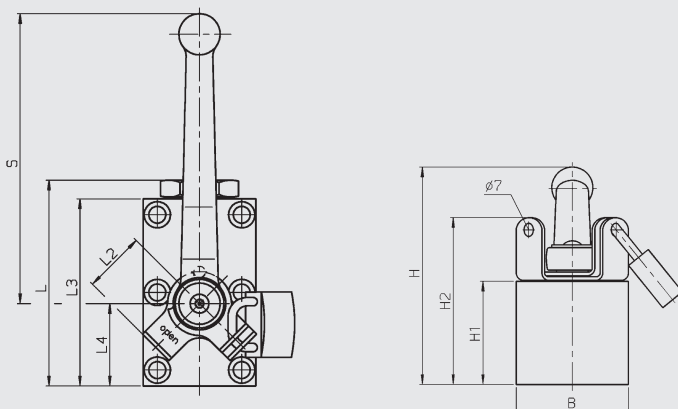


DN		L1	L2	h	B	H	L
04/06	M5	42	28.5	54	32	63.5	108
08/10/13	M5	42	28.5		32	68.5	108
12/16	M5	43	30.5		34	102	174
20	M6	50	41.7		47	114	174
25	M6	50	41.7		47	121	174
32	M8	47	37.9		42	158.5	213
40	M8	47	37.9		42	169.5	213
50	M8	47	37.9		42	186	213

KHP/KHP3K DN06



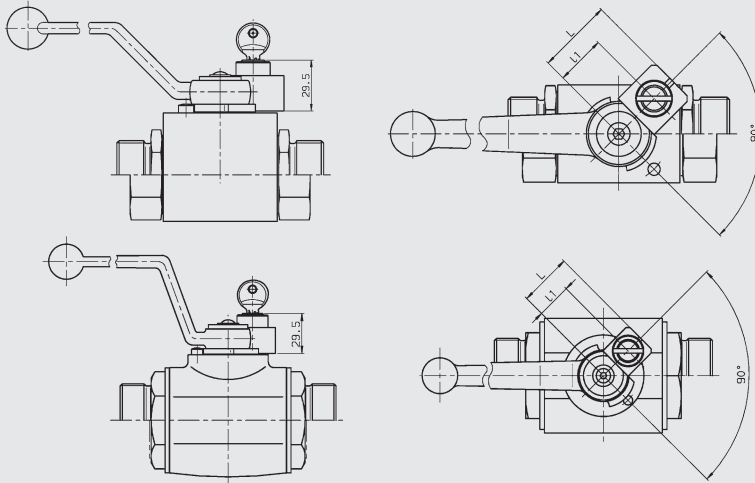
KHP/KHP3K DN10 - 50



Type	DN	B	H	H1	H2	L	L2	L3	L4	S
KHP/ KHP3K	06	40	59	30	-	64	35	59	25	76
	10	55	78	45	74	80	22	70	29	108
	16	60	120	55	89	110	33	100	44.5	174
	20	70	136	70	106	127	35	117	51	174
	25	80	146	80	116	145	35	135	62	174
	32	100	187	100	137	176	36	165	75	231
KHP	40	130	187	100	137	205	36	180	85	231
	50	149	197	110	147	245	36	220	106	231

Lockable ball valve SO 160 (cylinder lock)

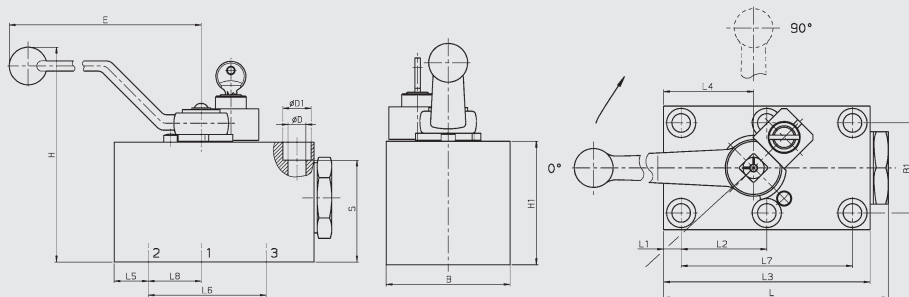
KHB - KHM



SO 160 - Ball valve can be locked in open and closed position using cylinder lock.
Key can be removed when locked.

DN	L	L1
04/06	35	22.5
08/10/13	31.5	19
12/16	33.5	21
20/25	37	24.5
32/50	37	24.5

KHP3K 16-25



Type	DN	LW	L	L1	L2	L3	L4	L5	L6	L7	L8	B	B1	E	H	H1	ØD	ØD1	S
KHP3K	16	16	110	8.5	41.5	100	44.5	17	58	83	26.5	60	45	169	119	55	9	14	48
	20	20	127	10	48.5	117	51	20	69	97	31	70	51	169	134	70	10.5	16.5	59.5
	25	23.5	145	10	57.5	135	62	24	81	115	38	80	60	169	144	80	10.5	17	69

NOTE

The information in this brochure relates to the operating conditions and applications described. For applications and operating conditions not described, please contact the relevant technical department.

The operator is always responsible for determining the product suitability for the specific application. Quantified values for product characteristics are average values for a new product that undergo a time deterioration process.

Subject to technical modifications and errors.

HYDAC Accessories GmbH

Hirschbachstr. 2

66280 Sulzbach/Saar

Tel.: +49 (0)6897 - 509-01

Fax: +49 (0)6897 - 509-1009

Internet: www.hydac.com

E-Mail: accessories@hydac.com

