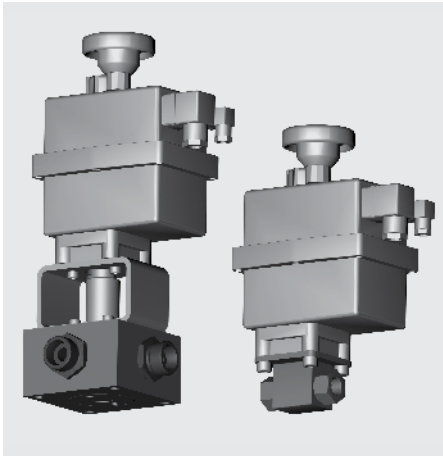
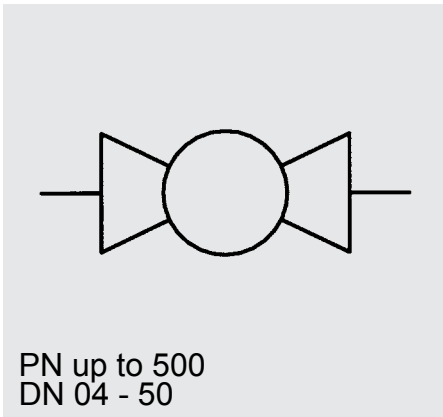


## Electrically Actuated Ball Valves



**Model code**  
(also example order)

**KHB-G1/4-1114 AE.24V**



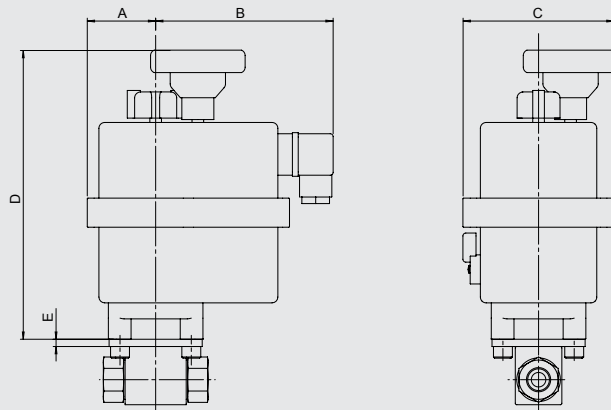
**Designation**

Type of ball valve

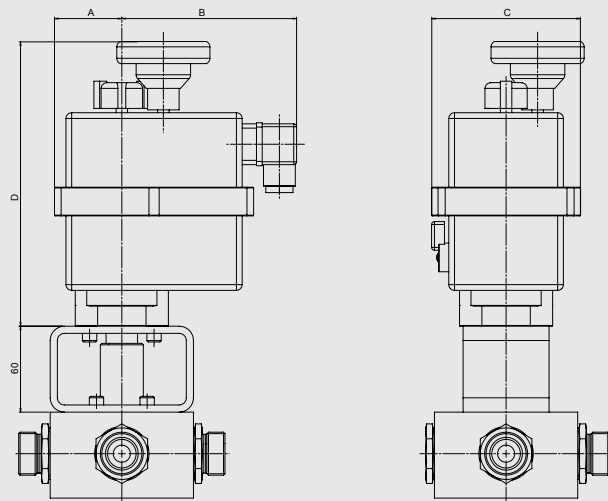
**Actuator code**

- AE = Electric actuation
- .24V = 12 - 24 V AC/DC
- .240V = 85 - 240 V AC/DC

**Installation using adapter plate**



**Installation using separate coupling**



## Dimensions

DN	A	B	C	D	E
04/06-SW09	51	126	110	196	5
08/10/13	51	126	110	196	5
16	51	126	110	196	10
20	107	128	214	254	5
25	107	128	214	254	5
32	107	128	214	254	5
40	107	128	214	254	5
50	107	128	214	254	5

## Note

We recommend using an adapter plate when fitting an electric actuator to block-type, sleeve-type and 3-way change-over ball valves.

For flanged, manifold and 3-way and 4-way ball valves, a separate coupling is required for installation.

On request other versions are available to suit almost all applications.

## Equipment

### Electrical actuator

- ETL (electronic torque limiter)
- AVS (automatic voltage sensor)
- ATC (automatic temperature control) to prevent condensation
- Mechanical release in event of jam
- Manual override
- Two integrated, volt-free micro switches for position confirmation
- Protection class IP 65

## Technical specifications

Mounting position	Optional
Ambient temperature	-10 °C to +80 °C
Nominal pressure	Up to PN 500 (see pressure level)
Operating fluids	Mineral oil to DIN 51524 part 1 and part 2 (other fluids on request)
Temperature of operating fluid	-10 °C to +80 °C
<b>Spare Parts</b>	Seal kits available on request

## NOTE

The information in this brochure relates to the operating conditions and applications described.

For applications and operating conditions not described, please contact the relevant technical department.

Subject to technical modifications.