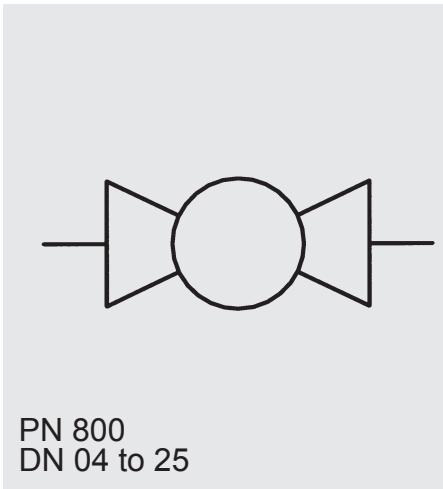


Ultra-High Pressure Ball Valve KHBH / KMHM



Model code
(also order example)

KHBH 16 NPT 5384 06 X A

Designation

KHBH = Ultra-high pressure block ball valve (steel)
KMHM = Ultra-high pressure sleeve ball valve (stainless steel)

Nominal bore
(DN)

Type of connection

NPT = NPT - ANSI B1.20.1
SR = SR - DIN 2353

Materials

Housing, connection adapters

5 = Steel
3 = Stainless steel

Ball, control spindle

3 = Stainless steel

Sealing cups

8 = PEEK

Control spindle seal and connection seal

2 = NBR (Perbunan)
4 = FKM (Viton)

Handle

06 = Steel bolt-on handle, cranked
08 = Stainless steel bolt-on handle, cranked

Series

(determined by manufacturer)

Surface protection

A = Zinc-plated, chrome (VI)-free

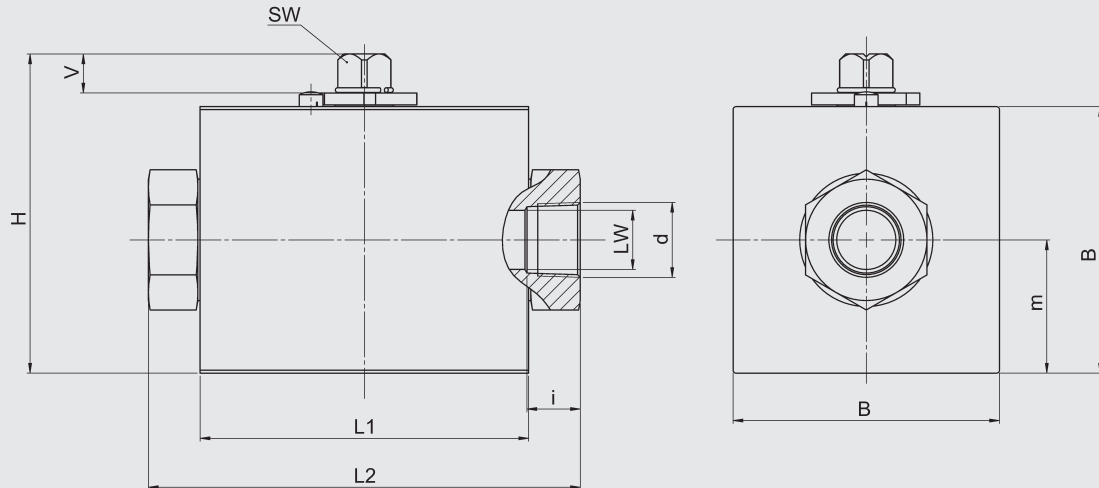
Technical specifications

Type of construction:	Block type KHBH DN 04 - 25 Sleeve type KHMH DN 04 - 25, stainless steel (on request)
Types of connection:	Heavy threaded pipe connection to DIN 2353 NPT ANSI B1.20.1
Mounting position:	Optional
Ambient temperature:	-10 °C to +80 °C
Nominal pressure:	PN 800
Operating fluids:	Mineral oil to DIN 51524 part 1 and part 2
Temperature of operating fluid:	-20 °C to +100 °C
Viscosity range:	10 to 380 mm ² /s

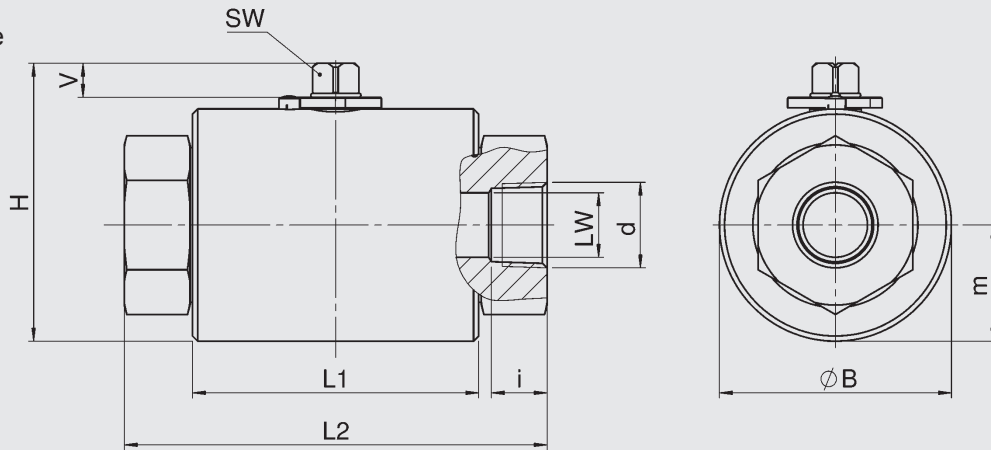
Dimensions

NPT ANSI B1.20.1

Block type



Sleeve type



Block type

Type	DN	LW	L1	L2	B	H	m	V	SW	i	d
KHBH-06NPT	6	6	76	130	50	63	25	11	9	13.7	1/4 NPT
KHBH-10NPT	10	10	76	130	50	63	25	11	9	13.5	3/8 NPT
KHBH-16NPT	13	13	76	130	50	63	25	11	9	17	1/2 NPT
KHBH-20NPT	20	20	111	161	90	107.7	45	14	14	18.3	3/4 NPT
KHBH-25NPT	25	25	111	164	90	107.7	45	14	14	21.6	1 NPT

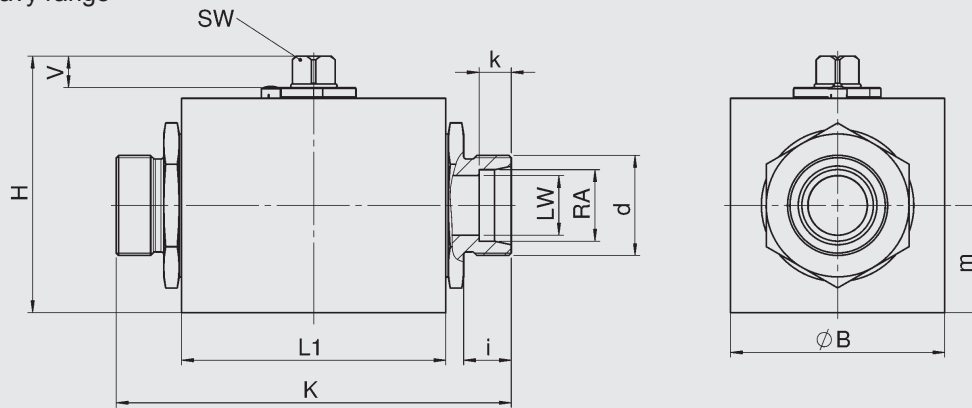
Sleeve type

Type	DN	LW	L1	L2	B	H	m	V	SW	i	d
KHMH-06NPT	6	6	76	130	50	63	25	11	9	13.7	1/4 NPT
KHMH-10NPT	10	10	76	130	50	63	25	11	9	13.5	3/8 NPT
KHMH-16NPT	13	13	76	130	50	63	25	11	9	17	1/2 NPT
KHMH-20NPT	20	20	111	161	90	107.7	45	14	14	18.3	3/4 NPT
KHMH-25NPT	25	25	111	164	90	107.7	45	14	14	21.6	1 NPT

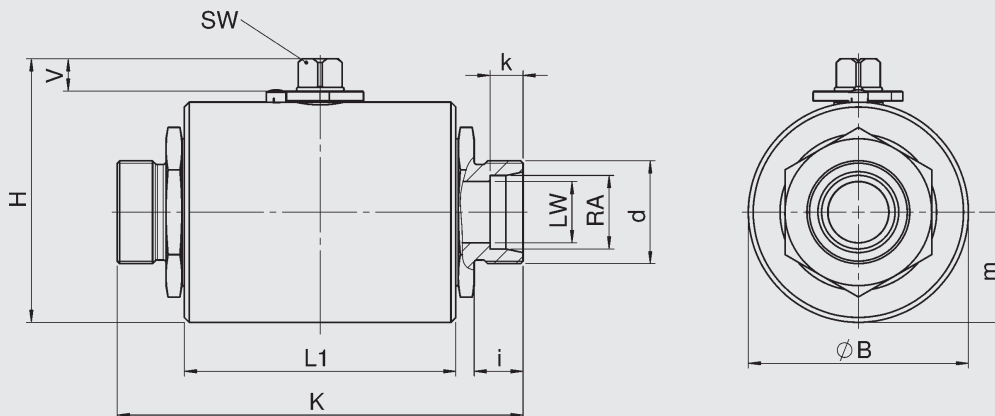
Dimensions

DIN 2353 heavy range

Block type



Sleeve type



Block type

Type	DN	RA	LW	L1	L2	B	H	m	V	SW	i	k	d
KHBH-08SR	4	8	5	76	110	50	63	25	11	9	12	7	M16x1,5
KHBH-10SR	6	10	6	76	114	50	63	25	11	9	12	7.5	M18x1,5
KHBH-12SR	8	12	8	76	114	50	63	25	11	9	12	7.5	M20x1,5
KHBH-14SR	10	14	10	76	114	50	63	25	11	9	14	7.5	M22x1,5
KHBH-16SR	13	16	13	76	114	50	63	25	11	9	14	8.5	M24x1,5
KHBH-20SR	13	20	13	76	118	50	63	25	11	9	16	10.5	M30x2
KHBH-25SR	20	25	20	111	162	90	107.7	45	14	14	18	12	M36x2
KHBH-30SR	25	30	25	111	166	90	107.7	45	14	14	20	13.5	M42x2

Sleeve type

Type	DN	RA	LW	L1	L2	B	H	m	V	SW	i	k	d
KHMH-08SR	4	8	5	76	110	50	63	25	11	9	12	7	M16x1,5
KHMH-10SR	6	10	6	76	114	50	63	25	11	9	12	7.5	M18x1,5
KHMH-12SR	8	12	8	76	114	50	63	25	11	9	12	7.5	M20x1,5
KHMH-14SR	10	14	10	76	114	50	63	25	11	9	14	7.5	M22x1,5
KHMH-16SR	13	16	13	76	114	50	63	25	11	9	14	8.5	M24x1,5
KHMH-20SR	13	20	13	76	118	50	63	25	11	9	16	10.5	M30x2
KHMH-25SR	20	25	20	111	162	90	107.7	45	14	14	18	12	M36x2
KHMH-30SR	25	30	25	111	166	90	107.7	45	14	14	20	13.5	M42x2

NOTE

The information in this brochure relates to the operating conditions and applications described.

For applications and operating conditions not described, please contact the relevant technical department.

The operator is always responsible for determining the product suitability for the specific application. Quantified values for product characteristics are average values for a new product that undergo a time deterioration process.

Subject to technical modifications and errors.

HYDAC Accessories GmbH
Hirschbachstr. 2
66280 Sulzbach/Saar
Tel.: +49 (0)6897 - 509-01
Fax: +49 (0)6897 - 509-1009
Internet: www.hydac.com
E-Mail: info@hydac.com

