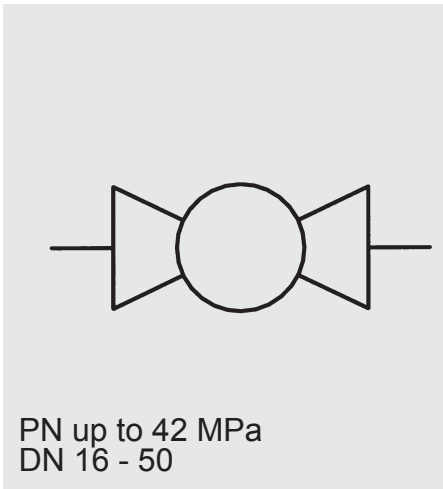


SAE Threaded / Split flange Ball Valves

KHBGS-F3/6 / KHMGS-F3/6



Model code
(also order example)

KHBGS 16 F3 11141 06 X ...

Designation

KHBGS = Block-type ball valve - threaded/split flange
DN 16 - 25

KHMGS = Sleeve-type ball valve - threaded/split flange
DN 32 - 50

Nominal bore
(DN)

Type of SAE flange

F3 = 3000 PSI (21 MPa)

F6 = 6000 PSI (42 MPa)

Materials

Housing, connection adapters

1 = Steel

3 = Stainless steel

Ball, control spindle

1 = Steel

3 = Stainless steel

Ball seals

1 = POM

Control spindle seal and connection seal

2 = NBR

4 = FKM (Viton)

SAE flanges

1 = Steel

3 = Stainless steel

Handle

02 = Aluminium clamped handle, cranked

06 = Steel bolt-on handle, cranked

26 = Steel bolt-on handle, cranked, long (SW17)

Series

(determined by manufacturer)

Surface protection

A = Zinc-plated, chrome (VI)-free

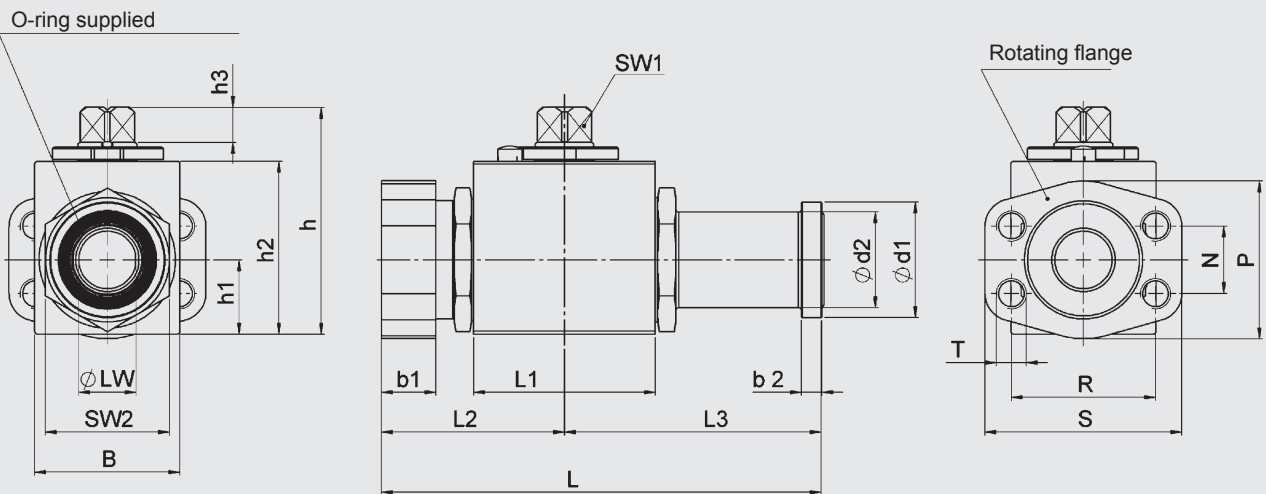
ZN = Zinc-nickel, chrome (VI)-free

Technical specifications

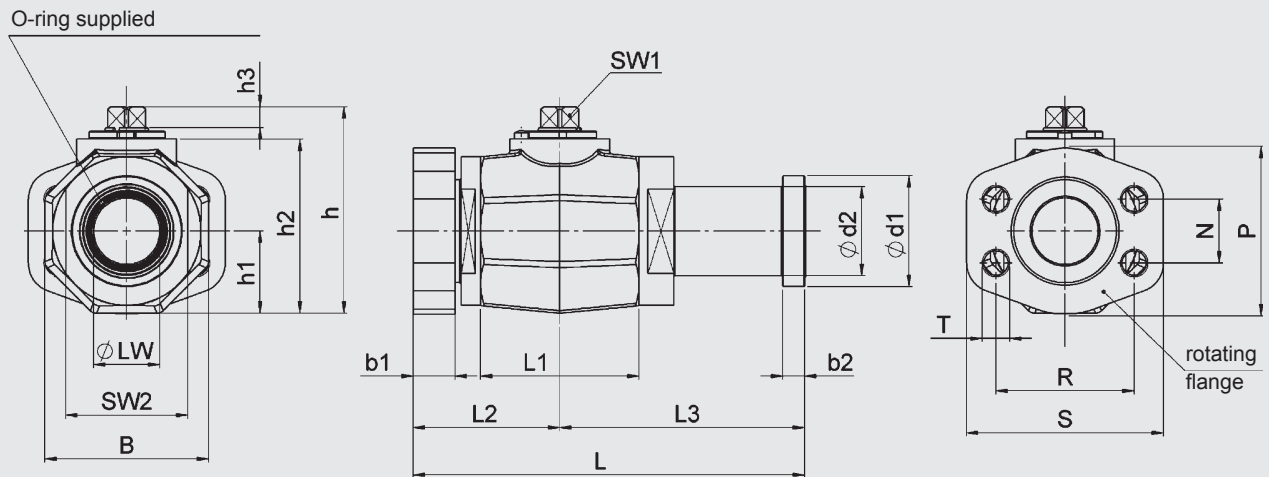
Type of construction:	Block type KHB DN 16 - 25 Sleeve type KHM DN 32 - 50
Flange dimensions:	SAE J518-1 + 2
Flange connections:	SAE threaded flange, SAE split flange
Mounting position:	Optional
Ambient temperature:	-10 °C to +80 °C
Nominal pressure:	Up to PN 42 MPa / 6000 psi
Operating fluids:	Mineral oil to DIN 51524 part 1 and part 2 (other fluids on request)
Temperature of operating fluid:	-10 °C to +80 °C
Spare parts:	Seal kits available on request

Dimensions

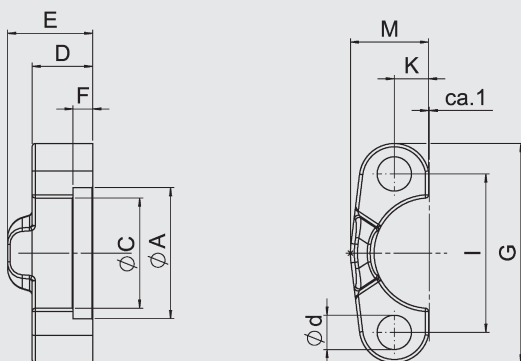
SAE threaded/split flange ball valve KHB



KHM



SAE split flange



KHBGS / KHMGS - F3

Type	SAE size	DN [mm]	LW [mm]	L [mm]	L1 [mm]	L2 [mm]	L3 [mm]	h [mm]	h1 [mm]	h2 [mm]	h3 [mm]	B [mm]	b1 [mm]	b2 [mm]	d1 [mm]	d2 [mm]	SW1 [mm]	SW2 [mm]	Weight [kg]
KHBGS-16-F3-XL	1/2"	16	13	137	47	52	85	63,2	20	46	11	40	16	6,8	30,2	24	12	32	1,5
KHBGS-20-F3-XL	3/4"	20	19	160,5	60	60,5	100	74,8	24,5	57	11,2	49	18	6,8	38,1	31,5	14	41	2,3
KHBGS-25-F3-XL	1"	25	25	181,5	65	74	107,5	82,6	29,5	65	11,2	58	19	8	44,45	38	14	50	3,2
KHMGS-32-F3-XL	1 1/4"	32	30	223	83,4	86	137	106,2	41	87,7	12	82	21	8	50,8	43	17	60	5,4
KHMGS-40-F3-XL	1 1/2"	40	38	248,5	91	88,5	160	118,2	47	99,7	12	94	25	8	60,35	50	17	70	7,5
KHMGS-50-F3-XL	2"	50	48	259,5	100	98	161,5	134,2	55,5	115,7	12	111	26	9,6	71,4	62	17	80	10,5

SAE-Split-Flansche - F3

Type	A [mm]	C [mm]	D [mm]	E [mm]	F [mm]	M [mm]	K [mm]	l [mm]	G [mm]	d [mm]	Nominal pressure [MPa]	O-Ring [mm]
KHBGS-16-F3-XL	31	24,3	13	19	6,2	21,8	8	38,1	53,1	9	35	18,66 x 3,53
KHBGS-20-F3-XL	38,9	32,1	14	22	6,2	26	11,1	47,6	65	10,5	35	25 x 3,53
KHBGS-25-F3-XL	45,2	38,5	16	22	7,5	29,2	13,1	52,4	70	10,5	35	32,92 x 3,53
KHMGS-32-F3-XL	51,6	43,7	14	22	7,5	36,3	15,1	58,7	80	12	28	37,7 x 3,53
KHMGS-40-F3-XL	61,1	50,8	16	24	7,5	41,1	17,9	69,9	94	13,5	21	47,22 x 3,53
KHMGS-50-F3-XL	72,2	62,7	16	26	9	48,2	21,4	77,8	102	13,5	21	56,74 x 3,53

SAE threaded flanges - F3

Type	S [mm]	P [mm]	R [mm]	N [mm]	T	Nominal pressure [MPa]
KHBGS-16-F3-XL	54	46	38,1	17,5	M8	35
KHBGS-20-F3-XL	65	52	47,6	22,3	M10	35
KHBGS-25-F3-XL	70	59	52,4	26,2	M10	35
KHMGS-32-F3-XL	79,5	73	58,7	30,2	M10	28
KHMGS-40-F3-XL	93,8	83	69,9	35,7	M12	21
KHMGS-50-F3-XL	102	97	77,8	42,9	M12	21

KHBGS / KHMGS - F6

Type	SAE size	DN [mm]	LW [mm]	L [mm]	L1 [mm]	L2 [mm]	L3 [mm]	h [mm]	h1 [mm]	h2 [mm]	h3 [mm]	B [mm]	b1 [mm]	b2 [mm]	d1 [mm]	d2 [mm]	SW1 [mm]	SW2 [mm]	Weight [kg]
KHBGS-16-F6-XL	1/2"	16	13	142	47	52	90	63,2	20	46	11	40	16	7,8	31,8	24	12	32	1,7
KHBGS-20-F6-XL	3/4"	20	19	160,5	60	60,5	100	74,8	24,5	57	11,2	49	19	8,8	41,3	32	14	46	2,9
KHBGS-25-F6-XL	1"	25	25	199	65	74	125	82,6	29,5	65	11,2	58	24	9,5	47,6	38	14	50	4,3
KHMGS-32-F6-XL	1 1/4"	32	30	247	83,4	86	161	106,2	41	87,7	12	82	27	10,3	54	44	17	60	7,2
KHMGS-40-F6-XL	1 1/2"	40	38	278,5	91	88,5	190	118,2	47	99,7	12	94	30	12,6	63,5	51	17	70	10,5
KHMGS-50-F6-XL	2"	50	48	290,5	100	98	192,5	134,2	55,5	115,7	12	111	35	12,6	79,4	67	17	80	16,0

SAE split flanges - F6

Type	A [mm]	C [mm]	D [mm]	E [mm]	F [mm]	M [mm]	K [mm]	l [mm]	G [mm]	d [mm]	Nominal pressure [MPa]		O-Ring [mm]
											Steel	Stainless steel	
KHBGS-16-F6-XL	32,5	24,6	16	22	7,2	22,6	8	40,5	55,6	9	42	40	18,66 x 3,53
KHBGS-20-F6-XL	42	32,5	19	28	8,3	30	11,9	50,8	72	10,5	42	35	25 x 3,53
KHBGS-25-F6-XL	48,4	38,9	24	32	9	35	13,9	57,2	81	13	42	35	32,92 x 3,53
KHMGS-32-F6-XL	54,8	44,5	27	38	9,8	39	15,9	66,7	96	15	42	35	37,7 x 3,53
KHMGS-40-F6-XL	64,3	51,6	30	42	12,1	48	18,3	79,4	113	17	42	35	47,22 x 3,53
KHMGS-50-F6-XL	80,2	67,6	37	52	12,1	57	22,2	96,8	134	21	42	35	56,74 x 3,53

SAE threaded flanges - F6

Type	S [mm]	P [mm]	R [mm]	N [mm]	T	Nominal pressure [MPa]	
						Steel	Stainless steel
KHBGS-16-F6-XL	56,5	48	40,5	18,2	M8	42	40
KHBGS-20-F6-XL	71,4	60	50,8	23,8	M10	42	35
KHBGS-25-F6-XL	81	70	57,2	27,8	M12	42	35
KHMGS-32-F6-XL	95,3	78	66,6	31,8	M14	42	35
KHMGS-40-F6-XL	113	95	79,3	36,5	M16	42	35
KHMGS-50-F6-XL	133	114	96,8	44,5	M20	42	35

NOTE

The information in this brochure relates to the operating conditions and applications described. For applications and operating conditions not described, please contact the relevant technical department.

Users bear the responsibility in all cases for determining the product's suitability in the specific application. Figures given for product characteristics are average values for a new product which are subject to an ageing process. Subject to technical modifications and errors.

HYDAC Accessories GmbH
Hirschbachstr. 2
66280 Sulzbach/Saar
Tel.: +49 (0)6897 - 509-01
Fax: +49 (0)6897 - 509-1009
Internet: www.hydac.com
E-Mail: info@hydac.com