

Ball Valve with DKO Connection KHB DKO

Model code
(also order example)

KHB DKO 12 LR 1112 14 X A

Designation

KHB = Block-type ball valve

Type of connection 1

DKO = Rotating ball valve port
with O-ring seal

Type of connection 2

Thread size or pipe O/D and connection code

Materials

Housing, connection adapters

1 = Steel

Ball, control spindle

1 = Steel

Ball seals

1 = POM

Control spindle seal and connection seal

2 = NBR

Handle

14 = Zinc die-cast bolt-on handle, cranked, fitted

16 = Steel bolt-on handle, cranked, fitted

Series

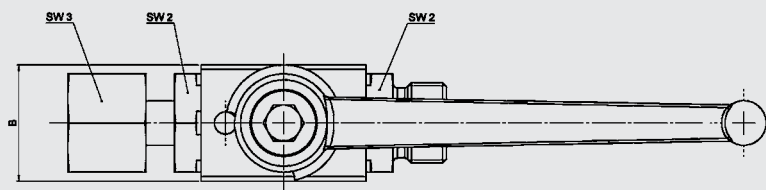
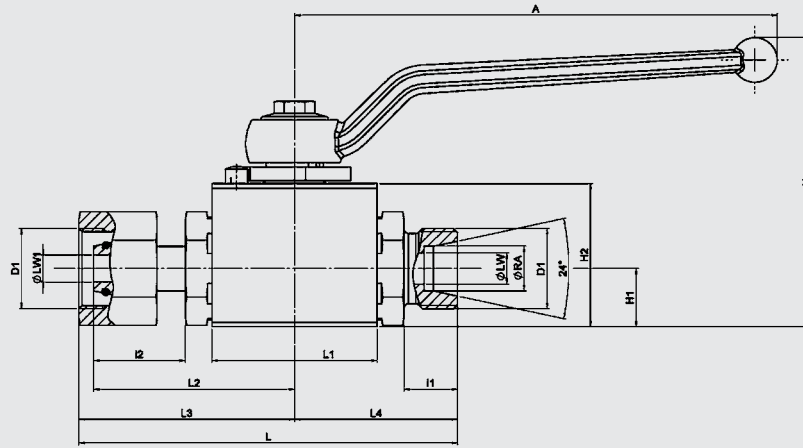
(determined by manufacturer)

Surface protection

A = Zinc-plated, chrome (VI)-free

Dimensions

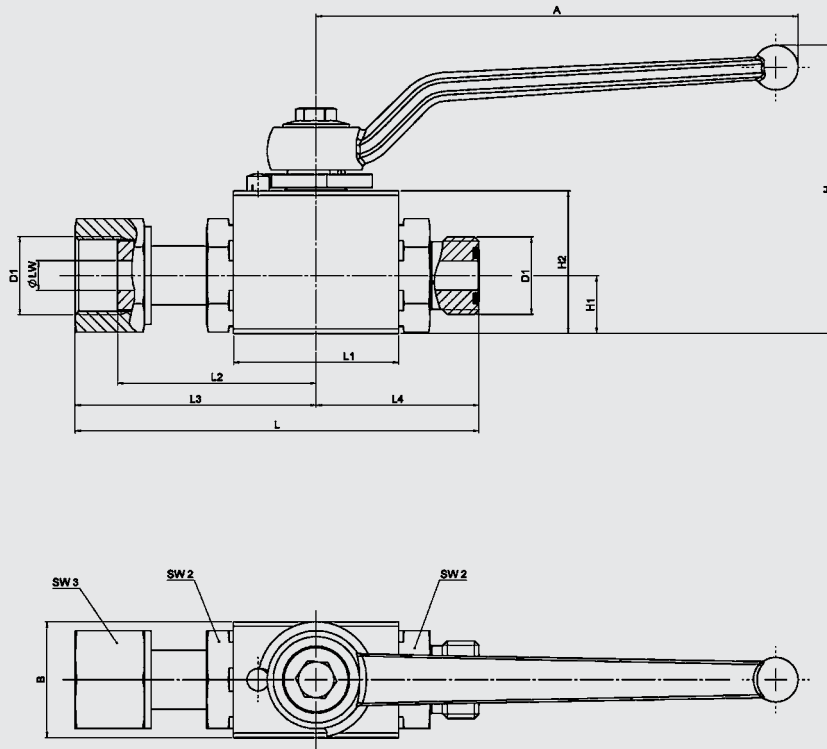
KHB DKO LR/SR



Type	DN	LW Int. diam	LW1 Int. diam	RA	D1	i1	i2	L	L1	L2	L3	L4	B	H	H1	H2	A	SW2	SW3	PN [bar]
08 LR	6	6	4	8	M14x1.5	7	19.4	77.8	37	43.9	44.3	33.5	28	66	14	33	108	22	17	250
10 LR	8	7	6	10	M16x1.5	11	20.5	82.8	37	45	47.3	35.5	28	66	13	33	108	22	22	250
12 LR	10	10	8	12	M18x1.5	11	20.5	84.7	42	46.5	47.7	37	32	73	17	40	108	27	22	250
15 LR	13	12	10	15	M22x1.5	12	21.0	92.4	47	50.0	51.4	41	32	73	17	40	108	30	27	250
18 LR	16	15	13	18	M26x1.5	12	21	93.2	47	49.8	52.2	41	40	111	20	46	169	32	32	160
22 LR	20	19	17	22	M30x2	14	22.5	112.4	60	59	61.9	50.5	49	122	24.5	57	169	41	36	160
28 LR	25	24	22	28	M36x2	14	23	121.4	65	63	67.4	54	58	128	29.5	65	169	50	41	100
08 SR	4	5	4	8	M16x1.5	7	19.4	82.8	37	43.9	46.3	36.5	28	66	14	33	108	22	19	500
10 SR	6	7	6	10	M18x1.5	7.5	20.5	84.8	37	45	48.3	36.5	28	66	14	33	108	22	22	500
12 SR	8	8	8	12	M20x1.5	12	20.5	86.7	42	46.5	48.7	38	32	73	17	40	108	27	24	500
14 SR	10	10	9	14	M22x1.5	14	23.0	92.8	42	49.0	52.8	40	32	73	17	40	108	27	27	500
16 SR	13	12	11	16	M24x1.5	14	23.0	98.0	47	52.0	55.0	43	32	73	17	40	108	30	30	400
20 SR	16	15	14	20	M30x2	16	27.5	104	47	56.3	59	45	40	111	20	46	169	32	36	400
25 SR	20	20	18	25	M36x2	18	29	128.5	60	65.5	74	54.5	49	122	24.5	57	169	41	46	315
30 SR	25	25	25	30	M42x2	20	32.5	140.8	65	72.5	80.8	60	58	128	29.5	65	169	50	50	250

Dimensions

KHB DKO ORFS



Type ORFS	OD pipe	DN	LW Int. diam	D1	L	L1	L2	L3	L4	B	H	H1	H2	A	SW2	SW3	PN [bar]
9/16	6	6	5	9/16-18UNF	86.2	37	42.5	50.7	35.5	28	66	14	33	108	22	19	400
11/16	10	8	6.5	11/16-16UN	90.5	37	44.5	54	36.5	28	66	14	33	108	22	22	400
13/16	12	10	9.5	13/16-16UN	103.6	42	53	64	39.6	32	73	17.2	40	108	27	27	400
1	16	13	12.5	1-14UNS	115	47	56.5	70	45	35	73	17.2	40	108	30/27	32	400
1-3/16	20	16	15.5	1-3/16-12UN	121.3	47	58.7	73.3	48	40	111	20	46	169	32	36	400
1-7/16	25	20	20.5	1-7/16-12UN	137.3	60	69.0	83.8	53.5	49	122	24.5	57	169	41	40	315
1-11/16	30	25	26	1-11/16-12UN	147.8	65	75.5	90.3	57.5	58	128	29.5	65	169	50	50	250

Technical specifications

Construction		Block-type KHB
Types of connection	connection 1*	DKO to DIN 2353 DKO to ISO 8434
	connection 2*	Light and heavy threaded pipe connection to DIN 2353 ORFS ISO 8434
	* Both ports are configured according to the same standard.	
Mounting position		Optional
Ambient temperature		-10 °C to +80 °C
Nominal pressure		up to PN 500
Operating fluids		Mineral oil to DIN 51524 part 1 and part 2
Temperature of operating fluid		-10 °C to +80 °C
Viscosity range		10 to 380 mm ² /s

NOTE

The information in this brochure relates to the operating conditions and applications described.

For applications or operating conditions not described, please contact the relevant technical department.

Subject to technical modifications.

HYDAC Accessories GmbH
Hirschbachstr. 2
66280 Sulzbach/Saar
Tel.: +49 (0)6897 - 509-01
Fax: +49 (0)6897 - 509-1009
Internet: www.hydac.com
E-Mail: info@hydac.com