

PN 420
DN to 40

Three-Piece High-Pressure Ball Valve

KHB3H

Model code
(also order example)

KHB3H - 1 - SW - 3312 - 18 X ...

Designation

KHB3H = Three-piece high-pressure ball valve

Port size

1/2" to 2"

Connection type

SW = Socket weld

Materials

Housing, connection adapters

1 = Steel

3 = Steel to NACE MRO175

Ball, control spindle

3 = Stainless steel to NACE MRO175

Sealing cups

8 = Peek

Control spindle seal and connection seal

2 = NBR

4 = FKM

Handle

18 = stainless steel - bolt-on cranked, fitted

Series

(determined by manufacturer)

Options

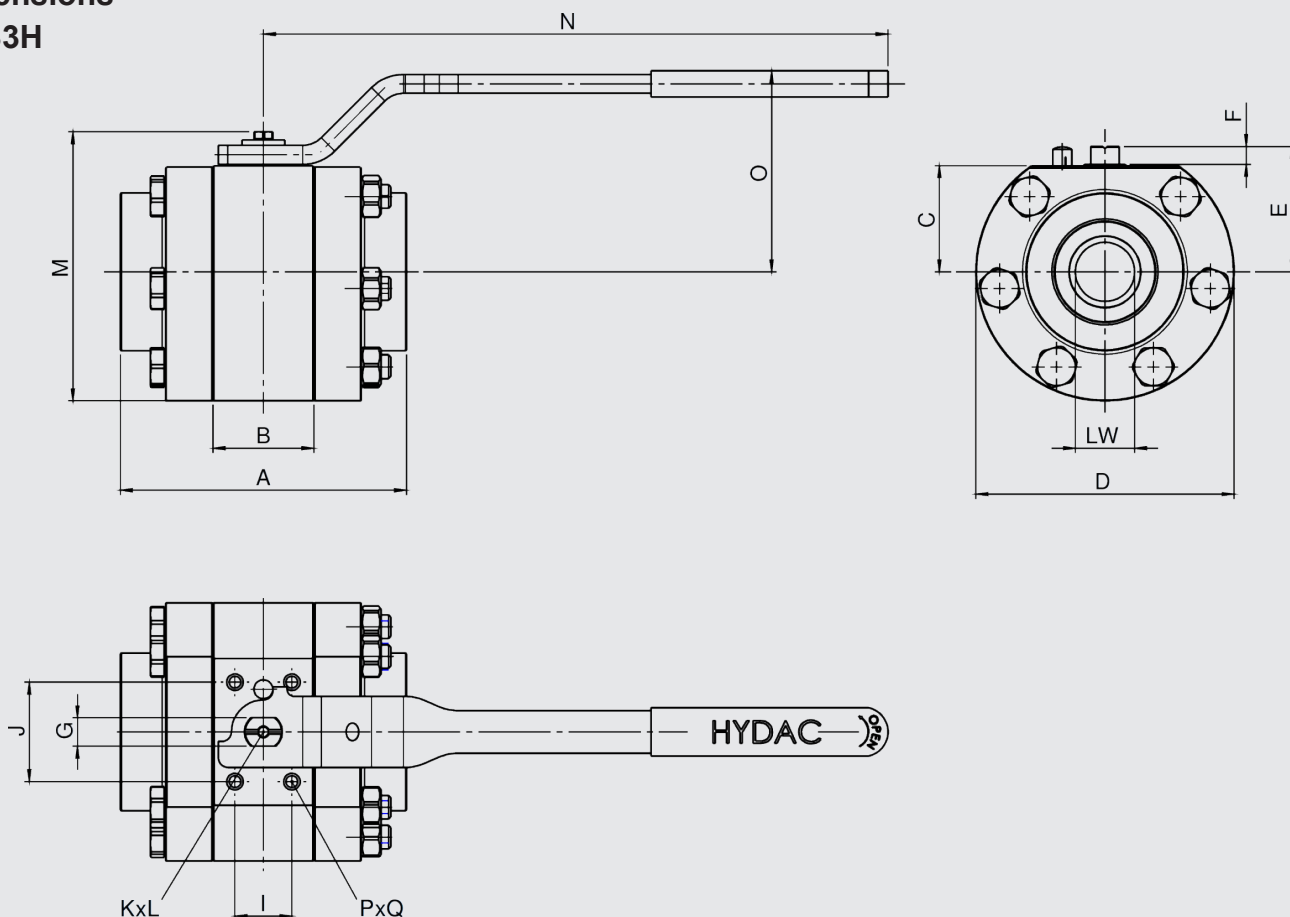
SO 940 = Ball Valve with 4 threaded holes

Technical data

Design	Three-piece high-pressure ball valve in accordance with ASME B16.34, Standard Class 2500
Design	Shut-off device is a ball
Connection type	Socket weld to ASME B16.11
Port size	SW 1/2" - SW 2" (for ASME-compliant NPS pipe)
Bore	12 - 38 mm
Weight	See table
Installation position	In any position
Ambient temperature (standard)	-10 °C to +80 °C
Nominal pressure	PN 420 / 6000 psi
Operating media	Various fluids possible (seal-dependent)
Temperature of operating media (standard)	-10 °C to +80 °C
Flow direction	In both directions
Accessories	On request
Material certification 3.1 according to DIN EN 10204	On request
Manufacturer's inspection certificate M in accordance with DIN 55350-18	On request
Spare parts	Seal kits available on request

Dimensions

KHB3H

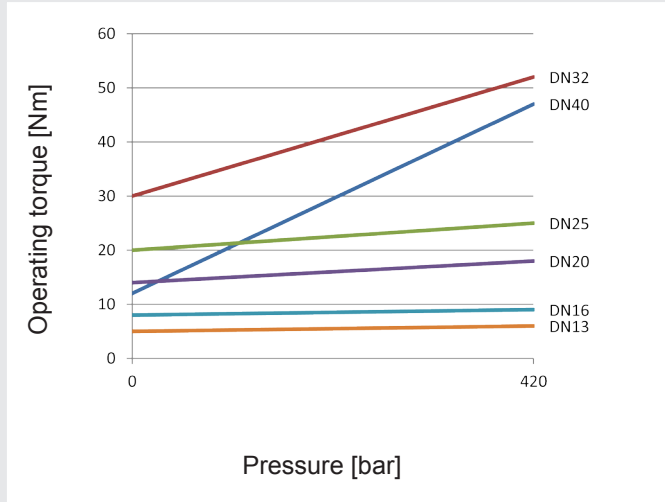


Type	SW	DN	LW Ø	A	B	C	D Ø	E	F	G	I	J	KxL*	M	N	O	PxQ*	PN		Weight [kg]
																		[bar]	[psi]	
KHB3H-1/2	1/2"	13	12	77.8	24.9	27	69.5	33.2	5.6	SW09	15	34	M5x7	76.5	183	61.1	M5x9	420	6000	1.7
KHB3H-3/4	3/4"	15	16	85	27.8	33	79	39.2	5.6	SW09	15	34	M5x7	87.2	183	67.1	M5x9	420	6000	3.0
KHB3H-1	1"	20	20	107.9	38.3	42	98	50.2	7.6	SW12	24	42	M6x9	107.7	263.5	82.1	M5x9	420	6000	5.0
KHB3H-11/4	1 1/4"	25	25	120.7	42.5	44.8	109	53	7.6	SW12	24	42	M6x9	116.0	263.5	84.9	M5x9	420	6000	6.5
KHB3H-11/2	1 1/2"	32	30	131.2	52.4	58	128	66.2	7.6	SW17	36	40	M8x8	142.3	378.5	96.6	M8x15	420	6000	10.5
KHB3H-2	2"	40	38	143	54.4	64	144.8	72.2	7.6	SW17	40	58	M8x8	156.7	378.5	104.1	M8x15	420	6000	14.2

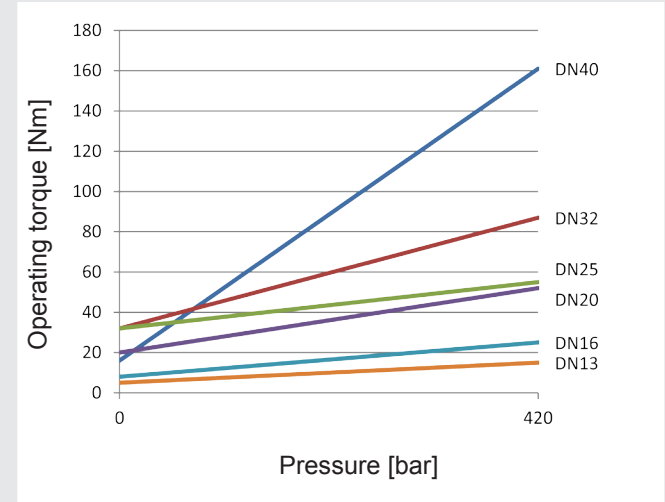
*optional

Operating torques (breakaway torques)

Short-term pressures ≈ 1 min

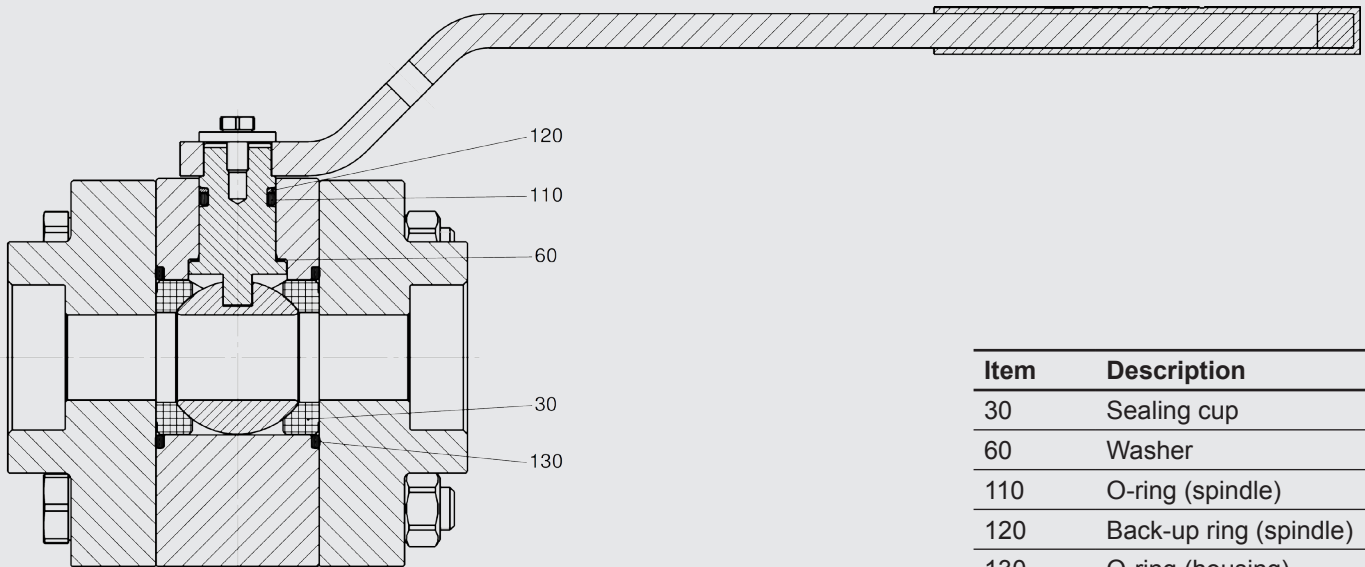


Long-term pressures > 2 days



The operating torques (breakaway torques) of the ball valves are dependent on many parameters and can deviate from the above graphs.

Spare parts (seal kit) KHB3H, DN13-40



Item	Description
30	Sealing cup
60	Washer
110	O-ring (spindle)
120	Back-up ring (spindle)
130	O-ring (housing)

NOTE

The information in this brochure relates to the operating conditions and applications described.

For applications or operating conditions not described, please contact the relevant technical department.

Subject to technical modifications.

HYDAC Accessories GmbH

Hirschbachstr. 2

66280 Sulzbach/Saar

Tel.: +49 (0)6897 - 509-01

Fax: +49 (0)6897 - 509-1009

Internet: www.hydac.com

E-Mail: info@hydac.com