

Three-part high pressure ball valve

KHB3H

Model code
(also order example)

KHB3H - 1 - SW - 3312 - 18 X ...

Designation

KHB3H = three-part high pressure ball valve

Port size

1/2" to 2"

Type of connection

SW = socket weld

Materials

Housing, connection adapters

1 = steel

3 = steel to NACE MRO175

Ball, control spindle

3 = stainless steel to NACE MRO175

Sealing cups

8 = PEEK

Control spindle seal and connection seal

2 = NBR

4 = FKM

Handle

18 = stainless steel bolt-on handle, cranked, fitted

Series

(determined by manufacturer)

Options

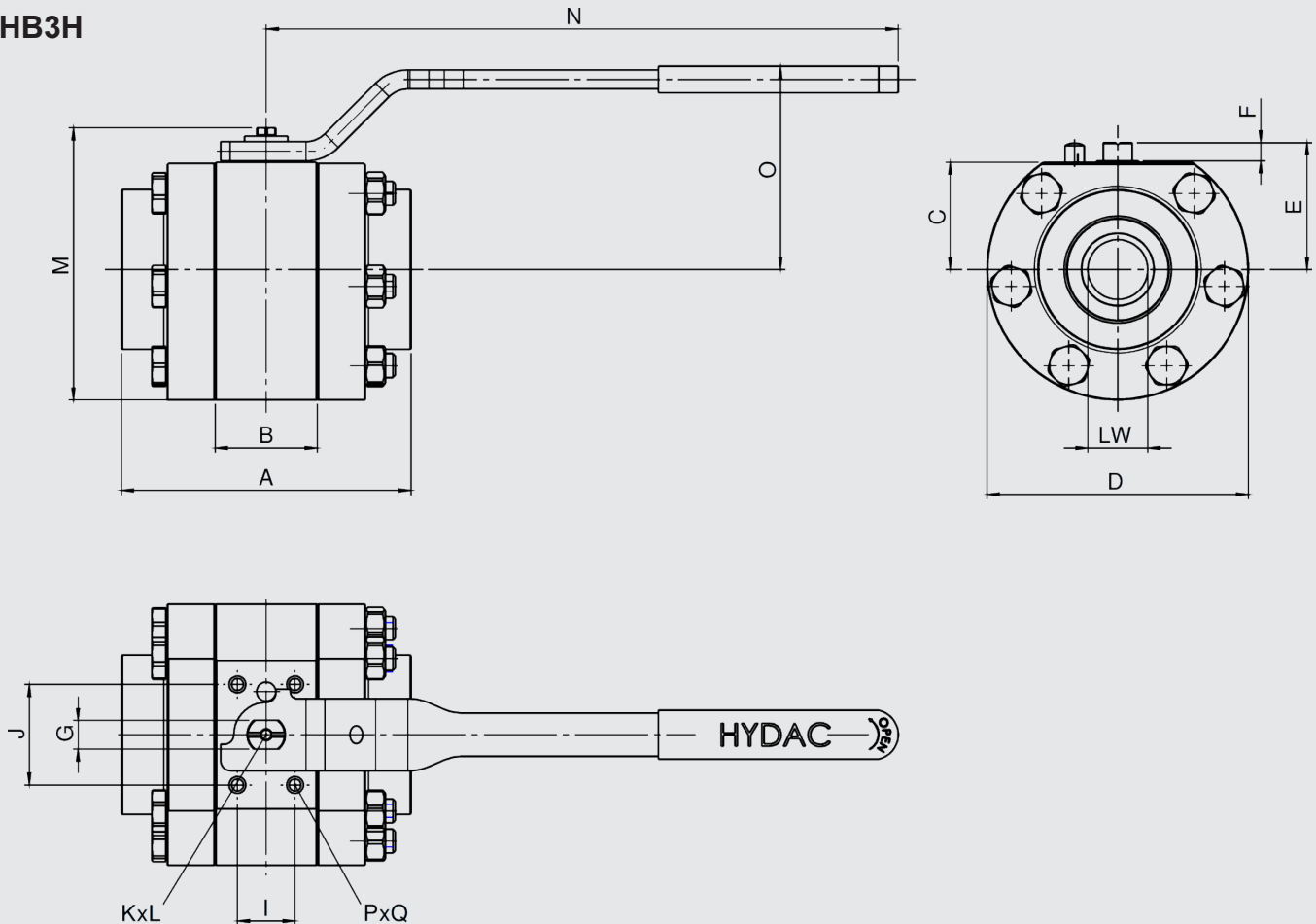
SO 940 = KH with 4 threaded holes

Technical specifications

Type of construction	Three-part high pressure ball valve in accordance with ASME B16.34, Standard Class 2500
Design	Shut-off device is a ball
Type of connection	Socket weld to ASME B16.11
Port size	SW 1/2" - SW 2" (for ASME-compliant NPS pipe)
Bore	12 - 38 mm
Weight	See table
Mounting position	No orientation restrictions
Ambient temperature (standard)	-10 °C to +80 °C
Nominal pressure	PN 420 / 6000 psi
Operating media	Various fluids possible (seal-dependent)
Temperature of operating media (standard)	-10 °C to +80 °C
Flow direction	In both directions
Accessories	On request
Material certification 3.1 according to DIN EN 10204	On request
Manufacturer's inspection certificate M in accordance with DIN 55350-18	On request
Spare parts	Seal kits available on request

Dimensions

KHB3H

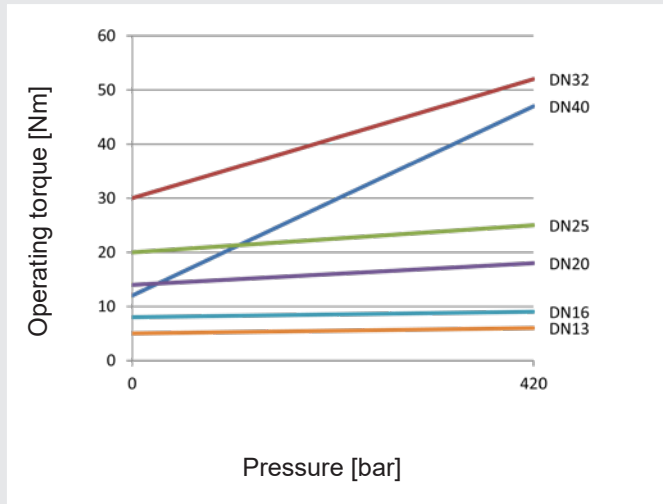


Type	AF	DN	Ø LW	A	B	C	Ø D	E	F	G	I	J	KxL*	M	N	O	PxQ*	PN		Weight
																		[bar]	[psi]	
KHB3H-1/2	1/2"	13	12	77.8	24.9	27	69.5	35.7	5.6	SW09	15	34	M5x9	78.95	183	63.6	M5x7	420	6000	1.7
KHB3H-3/4	3/4"	15	15	85	27.8	33	79	41.7	5.6	SW09	15	34	M5x9	89.7	183	69.6	M5x7	420	6000	3.0
KHB3H-1	1"	20	20	107.9	38.3	42	98	52.7	7.6	SW12	24	42	M5x9	110.2	263.5	84.6	M6x9	420	6000	5.0
KHB3H-1 1/4	1 1/4"	25	25	120.7	42.5	44.8	109	55.5	7.6	SW12	24	42	M5x9	118.5	263.5	87.4	M6x9	420	6000	6.5
KHB3H-1 1/2	1 1/2"	32	30	131.2	52.4	58	128	68.7	7.6	SW17	36	40	M8x15	144.8	378.5	99.1	M8x8	420	6000	10.5
KHB3H-2	2"	40	38	143	54.4	61.5	144.8	72.2	7.6	SW17	40	58	M8x15	159.2	378.5	106.6	M8x8	420	6000	14.1

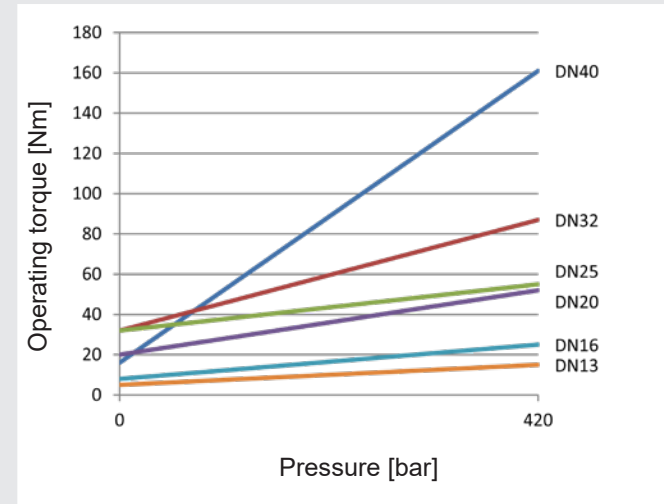
*optional

Operating torques (breakaway torques)

Short-term pressures ≈ 1 min

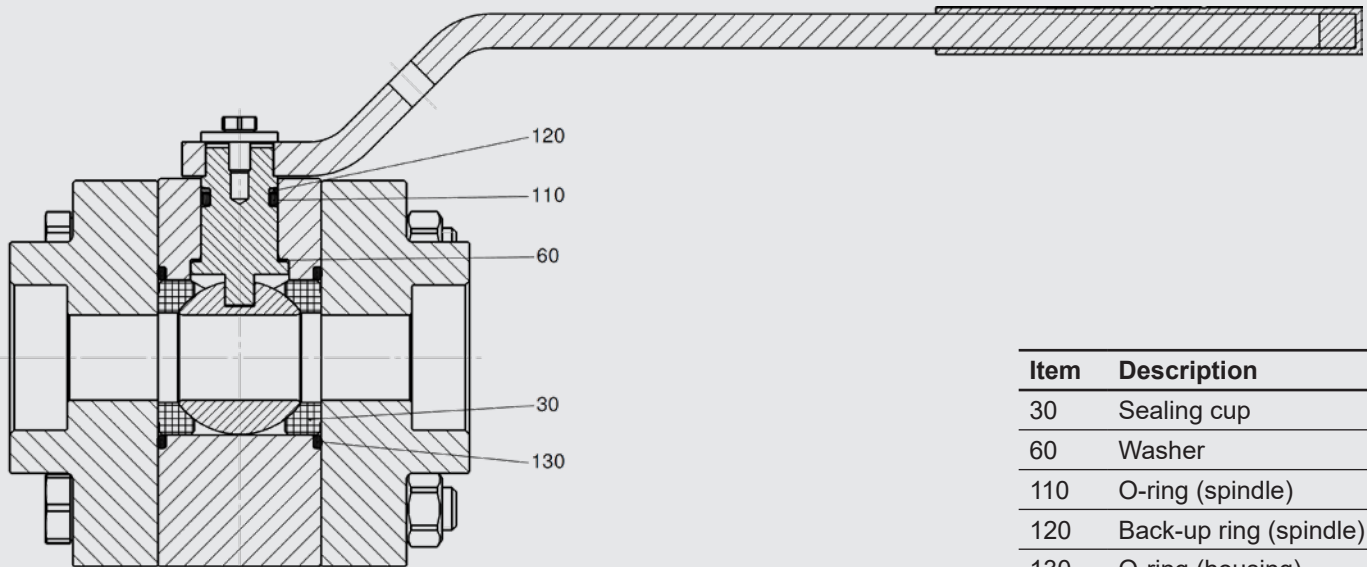


Long-term pressures > 2 days



The operating torques (breakaway torques) of the ball valves are dependent on many parameters and can deviate from the above graphs.

Spare parts (seal kit) KHB3H, DN13-40



Item	Description
30	Sealing cup
60	Washer
110	O-ring (spindle)
120	Back-up ring (spindle)
130	O-ring (housing)

NOTE

The information in this brochure relates to the operating conditions and applications described. For applications and operating conditions not described, please contact the relevant technical department.

The operator is always responsible for determining the product suitability for the specific application. Quantified values for product characteristics are average values for a new product that undergo a time deterioration process.

Subject to technical modifications and errors.

HYDAC Accessories GmbH

Hirschbachstr. 2

66280 Sulzbach/Saar

Tel.: +49 (0)6897 - 509-01

Fax: +49 (0)6897 - 509-1009

Internet: www.hydac.com

E-Mail: accessories@hydac.com

