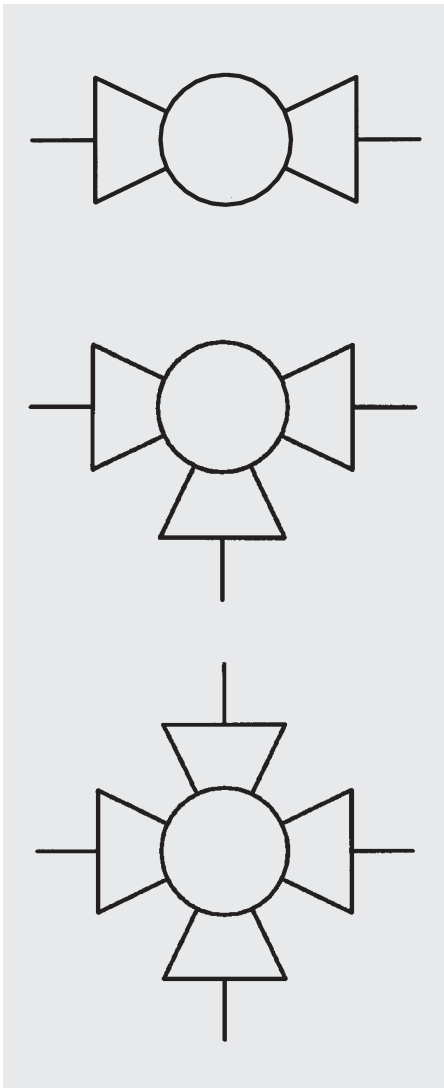
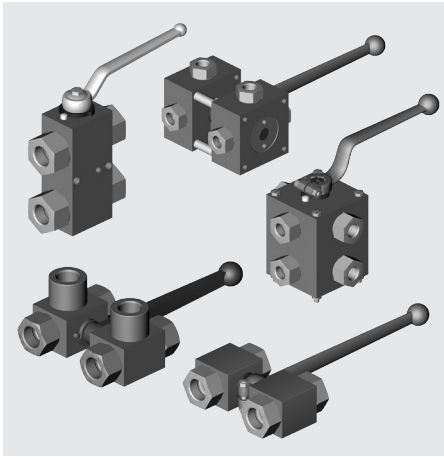


Ball Valve Combinations



PN to 500
DN to 50

Model code
(also order example)

KH3-12SR-L-1112-01X KOMBI

Designation

Type of ball valve

Arrangement

KOMBI = Combination
(ball valves mounted in tandem)

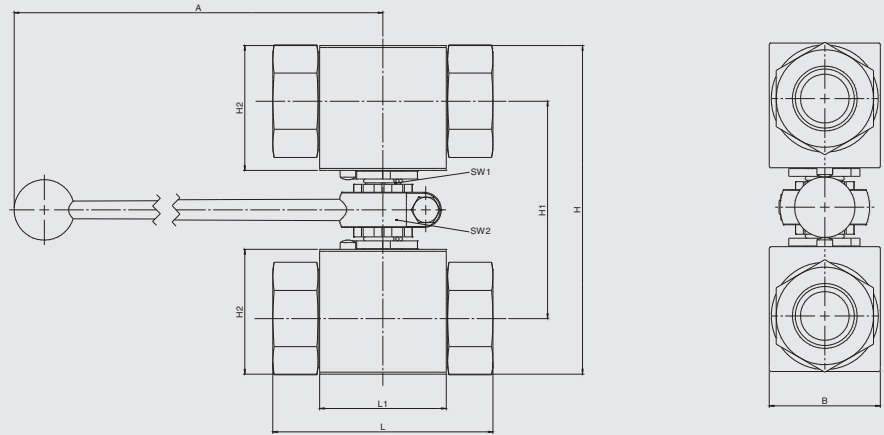
Number of ball valves

... = 2 ball valves (2 supplied as standard)
4X = 4 ball valves
(others on request)

Options

SO241 = Block combinations
SB = Stackable design

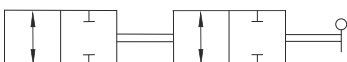
Dimensions 2/2-way combinations (KHB)



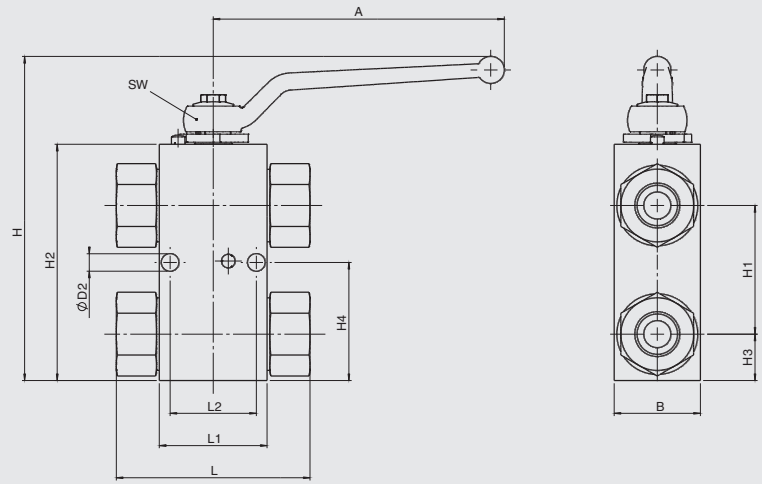
| Type | DN | RA | D1 | L | L1 | B | H | H1 | H2 | SW1 | SW2 | A |
|-----------|-------|------|----------------|-----|----|----|-------|-------|----|-----|-----|-------|
| KHB-G1/8 | 4 | - | G1/8 | 69 | 37 | 28 | 93.5 | 65.5 | 33 | 9 | 9 | 160.5 |
| KHB-G1/4 | 6 | - | G1/4 | 69 | 37 | 28 | 93.5 | 65.5 | 33 | 9 | 9 | 160.5 |
| KHB-G3/8 | 10 | - | G3/8 | 72 | 42 | 32 | 107.5 | 73.5 | 40 | 9 | 9 | 160.5 |
| KHB-G1/2 | 13 | - | G1/2 | 84 | 47 | 35 | 107.5 | 73.5 | 40 | 9 | 9 | 160.5 |
| KHB-G1/2 | 16 | - | G1/2 | 83 | 47 | 40 | 128.0 | 88.0 | 46 | 12 | 17 | 240.0 |
| KHB-G3/4 | 20 | - | G3/4 | 95 | 60 | 49 | 154.5 | 105.0 | 57 | 14 | 22 | 319.5 |
| KHB-G1 | 25 | - | G1 | 113 | 65 | 58 | 170.5 | 113.5 | 65 | 14 | 22 | 319.5 |
| KHB-G11/4 | 25/32 | - | G11/4 | 120 | 65 | 57 | 170.5 | 113.5 | 65 | 14 | 22 | 319.5 |
| KHB-06LR | 4 | 6 | M12x1.5 | 67 | 37 | 28 | 93.5 | 65.5 | 33 | 9 | 9 | 160.5 |
| KHB-08LR | 6 | 8 | M14x1.5 | 67 | 37 | 28 | 93.5 | 65.5 | 33 | 9 | 9 | 160.5 |
| KHB-10LR | 8 | 10 | M16x1.5 | 74 | 42 | 32 | 107.5 | 73.5 | 40 | 9 | 9 | 160.5 |
| KHB-12LR | 10 | 12 | M18x1.5 | 74 | 42 | 32 | 107.5 | 73.5 | 40 | 9 | 9 | 160.5 |
| KHB-15LR | 13 | 15 | M22x1.5 | 82 | 47 | 35 | 107.5 | 73.5 | 40 | 9 | 9 | 160.5 |
| KHB-15LR | 12 | 15 | M22x1.5 | 82 | 47 | 39 | 128.0 | 88.0 | 46 | 12 | 17 | 240.0 |
| KHB-18LR | 13 | 18 | M26x1.5 | 82 | 47 | 35 | 107.5 | 73.5 | 40 | 9 | 9 | 160.5 |
| KHB-18LR | 16 | 18 | M26x1.5 | 82 | 47 | 40 | 128.0 | 88.0 | 46 | 12 | 17 | 240.0 |
| KHB-22LR | 20 | 22 | M30x2 | 101 | 60 | 49 | 154.5 | 105.0 | 57 | 14 | 22 | 319.5 |
| KHB-28LR | 25 | 28 | M36x2 | 108 | 65 | 58 | 170.5 | 113.5 | 65 | 14 | 22 | 319.5 |
| KHB-35LR | 25/32 | 35.5 | M45x2 | 112 | 65 | 58 | 170.5 | 113.5 | 65 | 14 | 22 | 319.5 |
| KHB-08SR | 4 | 8 | M16x1.5 | 73 | 37 | 28 | 93.5 | 65.5 | 33 | 9 | 9 | 160.5 |
| KHB-10SR | 6 | 10 | M18x1.5 | 73 | 37 | 28 | 93.5 | 65.5 | 33 | 9 | 9 | 160.5 |
| KHB-12SR | 8 | 12 | M20x1.5 | 76 | 42 | 32 | 107.5 | 73.5 | 40 | 9 | 9 | 160.5 |
| KHB-14SR | 10 | 14 | M22x1.5 | 80 | 42 | 32 | 107.5 | 73.5 | 40 | 9 | 9 | 160.5 |
| KHB-16SR | 13 | 16 | M24x1.5 | 86 | 47 | 35 | 107.5 | 73.5 | 40 | 9 | 9 | 160.5 |
| KHB-16SR | 12 | 16 | M24x1.5 | 86 | 47 | 39 | 128.0 | 88.0 | 46 | 12 | 17 | 240.0 |
| KHB-20SR | 13 | 20 | M30x2 | 90 | 47 | 35 | 107.5 | 73.5 | 40 | 9 | 9 | 160.5 |
| KHB-20SR | 16 | 20 | M30x2 | 90 | 47 | 40 | 128.0 | 88.0 | 46 | 12 | 17 | 240.0 |
| KHB-25SR | 20 | 25 | M36x2 | 109 | 60 | 49 | 154.5 | 105.0 | 57 | 14 | 22 | 319.5 |
| KHB-30SR | 25 | 30 | M42x2 | 120 | 65 | 58 | 170.5 | 113.5 | 65 | 14 | 22 | 319.5 |
| KHB-38SR | 25/32 | 38.3 | M52x2 | 124 | 65 | 58 | 170.5 | 113.5 | 65 | 14 | 22 | 319.5 |
| KHB-06NPT | 6 | - | 1/4 - 18 NPT | 69 | 37 | 28 | 93.5 | 65.5 | 33 | 9 | 9 | 160.5 |
| KHB-10NPT | 10 | - | 3/8 - 18 NPT | 72 | 42 | 32 | 107.5 | 73.5 | 40 | 9 | 9 | 160.5 |
| KHB-16NPT | 13 | - | 1/2 - 14 NPT | 84 | 47 | 35 | 107.5 | 73.5 | 40 | 9 | 9 | 160.5 |
| KHB-16NPT | 16 | - | 1/2 - 14 NPT | 83 | 47 | 40 | 128.0 | 88.0 | 46 | 12 | 17 | 240.0 |
| KHB-20NPT | 20 | - | 3/4 - 14 NPT | 95 | 60 | 49 | 154.5 | 105.0 | 57 | 14 | 22 | 319.5 |
| KHB-25NPT | 25 | - | 1 - 11 1/2 NPT | 113 | 65 | 58 | 170.5 | 113.5 | 65 | 14 | 22 | 319.5 |
| KHB-06SAE | 6 | - | 7/16 - 20 UNF | 69 | 37 | 28 | 93.5 | 65.5 | 33 | 9 | 9 | 160.5 |
| KHB-10SAE | 10 | - | 9/16 - 18 UNF | 72 | 42 | 32 | 107.5 | 73.5 | 40 | 9 | 9 | 160.5 |
| KHB-16SAE | 13 | - | 3/4 - 16 UNF | 92 | 47 | 35 | 107.5 | 73.5 | 40 | 9 | 9 | 160.5 |
| KHB-16SAE | 16 | - | 3/4 - 16 UNF | 83 | 47 | 40 | 128.0 | 88.0 | 46 | 12 | 17 | 240.0 |
| KHB-20SAE | 20 | - | 1 1/16 - 12 UN | 95 | 60 | 49 | 154.5 | 105.0 | 57 | 14 | 22 | 319.5 |
| KHB-25SAE | 25 | - | 1 5/16 - 12 UN | 113 | 65 | 58 | 170.5 | 113.5 | 65 | 14 | 22 | 319.5 |

Other connections on request

Switching functions



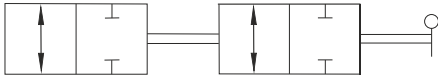
2/2-way block combinations (SO241)



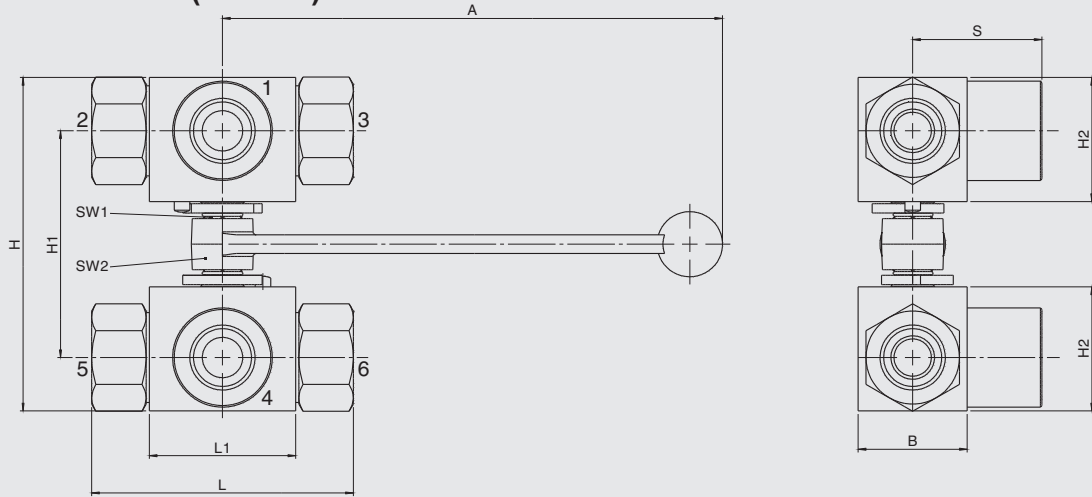
| Type | DN | RA | D1 | D2 | i | L | L1 | L2 | B | H | H1 | H2 | H3 | H4 | SW | A |
|----------|----|----|---------|-----|----|----|----|----|----|-----|------|----|------|----|----|-----|
| KHB-G3/8 | 10 | - | G3/8 | 6.5 | 14 | 70 | 40 | 32 | 32 | 121 | 47.9 | 88 | 17.3 | 44 | 9 | 108 |
| KHB-G1/2 | 13 | - | G1/2 | 6.5 | 15 | 82 | 40 | 32 | 32 | 121 | 47.9 | 88 | 17.3 | 44 | 9 | 108 |
| KHB-10LR | 8 | 10 | M16x1.5 | 6.5 | 11 | 72 | 40 | 32 | 32 | 121 | 47.9 | 88 | 17.3 | 44 | 9 | 108 |
| KHB-12LR | 10 | 12 | M18x1.5 | 6.5 | 11 | 72 | 40 | 32 | 32 | 121 | 47.9 | 88 | 17.3 | 44 | 9 | 108 |
| KHB-15LR | 12 | 15 | M22x1.5 | 6.5 | 12 | 80 | 40 | 32 | 32 | 121 | 47.9 | 88 | 17.3 | 44 | 9 | 108 |
| KHB-15LR | 13 | 15 | M22x1.5 | 6.5 | 12 | 80 | 40 | 32 | 32 | 121 | 47.9 | 88 | 17.3 | 44 | 9 | 108 |
| KHB-12SR | 8 | 12 | M20x1.5 | 6.5 | 12 | 74 | 40 | 32 | 32 | 121 | 47.9 | 88 | 17.3 | 44 | 9 | 108 |

Other connections on request

Switching functions



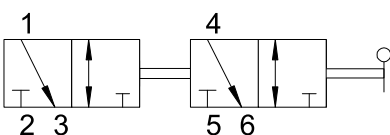
3/2-way combinations (KHB3K)



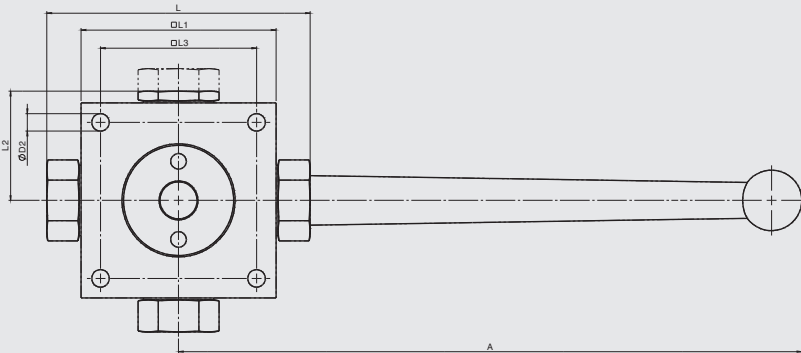
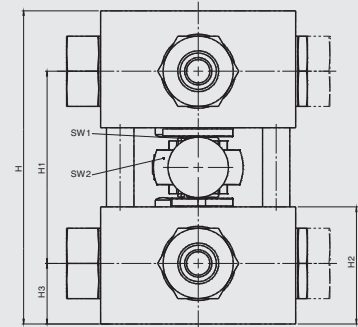
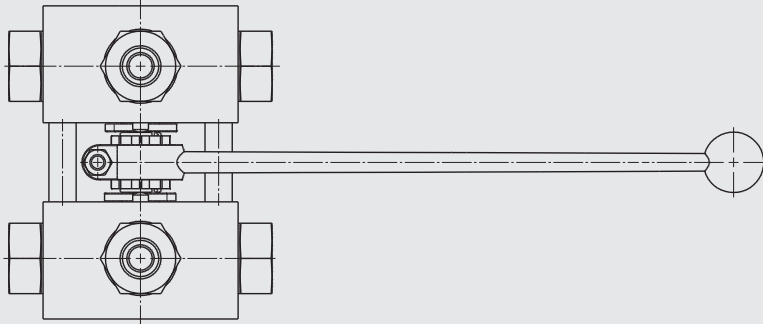
| Type | DN | RA | D1 | i | L | L1 | B | H | H1 | H2 | S | SW1 | SW2 | A |
|-------------|-------|------|----------------|-------|-----|----|----|-------|-------|----|------|-----|-----|-------|
| KHB3K-G1/4 | 6 | - | G1/4 | 14 | 69 | 37 | 28 | 93.5 | 65.5 | 33 | 34.5 | 9 | 9 | 160.5 |
| KHB3K-G3/8 | 10 | - | G3/8 | 14 | 72 | 42 | 32 | 107.5 | 73.5 | 40 | 36 | 9 | 9 | 160.5 |
| KHB3K-G1/2 | 13 | - | G1/2 | 15 | 84 | 47 | 35 | 107.5 | 73.5 | 40 | 41.5 | 9 | 9 | 160.5 |
| KHB3K-G1/2 | 16 | - | G1/2 | 16 | 83 | 47 | 40 | 128.0 | 88.0 | 46 | 41.5 | 12 | 17 | 240.0 |
| KHB3K-G3/4 | 20 | - | G3/4 | 18 | 95 | 60 | 49 | 154.5 | 105.0 | 57 | 47.5 | 14 | 22 | 319.5 |
| KHB3K-G1 | 25 | - | G1 | 20.5 | 113 | 65 | 58 | 170.5 | 113.5 | 65 | 56.5 | 14 | 22 | 319.5 |
| KHB3K-G11/4 | 25/32 | - | G11/4 | 22 | 120 | 65 | 57 | 170.5 | 113.5 | 65 | 70.5 | 14 | 22 | 319.5 |
| KHB3K-06LR | 4 | 6 | M12x1.5 | 7 | 67 | 37 | 28 | 93.5 | 65.5 | 33 | 33.5 | 9 | 9 | 160.5 |
| KHB3K-08LR | 6 | 8 | M14x1.5 | 7 | 67 | 37 | 28 | 93.5 | 65.5 | 33 | 33.5 | 9 | 9 | 160.5 |
| KHB3K-10LR | 8 | 10 | M16x1.5 | 11 | 74 | 42 | 32 | 107.5 | 73.5 | 40 | 37 | 9 | 9 | 160.5 |
| KHB3K-12LR | 10 | 12 | M18x1.5 | 11 | 74 | 42 | 32 | 107.5 | 73.5 | 40 | 37 | 9 | 9 | 160.5 |
| KHB3K-15LR | 13 | 15 | M22x1.5 | 12 | 82 | 47 | 35 | 107.5 | 73.5 | 40 | 41 | 9 | 9 | 160.5 |
| KHB3K-18LR | 13 | 18 | M26x1.5 | 12 | 82 | 47 | 35 | 107.5 | 73.5 | 40 | 41 | 9 | 9 | 160.5 |
| KHB3K-18LR | 16 | 18 | M26x1.5 | 12 | 82 | 47 | 40 | 128.0 | 88.0 | 46 | 41 | 12 | 17 | 240.0 |
| KHB3K-22LR | 20 | 22 | M30x2 | 14 | 101 | 60 | 49 | 154.5 | 105.0 | 57 | 50.5 | 14 | 22 | 319.5 |
| KHB3K-28LR | 25 | 28 | M36x2 | 14 | 108 | 65 | 58 | 170.5 | 113.5 | 65 | 54 | 14 | 22 | 319.5 |
| KHB3K-35LR | 25/32 | 35.3 | M45x2 | 16 | 112 | 65 | 58 | 170.5 | 113.5 | 65 | 69 | 14 | 22 | 319.5 |
| KHB3K-08SR | 4 | 8 | M16x1.5 | 7 | 73 | 37 | 28 | 93.5 | 65.5 | 33 | 36.5 | 9 | 9 | 160.5 |
| KHB3K-10SR | 6 | 10 | M18x1.5 | 7.5 | 73 | 37 | 28 | 93.5 | 65.5 | 33 | 36.5 | 9 | 9 | 160.5 |
| KHB3K-12SR | 8 | 12 | M20x1.5 | 12 | 76 | 42 | 32 | 107.5 | 73.5 | 40 | 38 | 9 | 9 | 160.5 |
| KHB3K-14SR | 10 | 14 | M22x1.5 | 14 | 80 | 42 | 32 | 107.5 | 73.5 | 40 | 40 | 9 | 9 | 160.5 |
| KHB3K-16SR | 13 | 16 | M24x1.5 | 14 | 86 | 47 | 35 | 107.5 | 73.5 | 40 | 43 | 9 | 9 | 160.5 |
| KHB3K-20SR | 13 | 20 | M30x2 | 16 | 90 | 47 | 35 | 107.5 | 73.5 | 40 | 45 | 9 | 9 | 160.5 |
| KHB3K-20SR | 16 | 20 | M30x2 | 16 | 90 | 47 | 40 | 128.0 | 88.0 | 46 | 45 | 12 | 17 | 240.0 |
| KHB3K-25SR | 20 | 25 | M36x2 | 18 | 109 | 60 | 49 | 154.5 | 105.0 | 57 | 54.5 | 14 | 22 | 319.5 |
| KHB3K-30SR | 25 | 30 | M42x2 | 20 | 120 | 65 | 58 | 170.5 | 113.5 | 65 | 60 | 14 | 22 | 319.5 |
| KHB3K-06NPT | 6 | - | 1/4 - 18 NPT | 6.7 | 69 | 37 | 28 | 93.5 | 65.5 | 33 | 33 | 9 | 9 | 160.5 |
| KHB3K-10NPT | 10 | - | 3/8 - 18 NPT | 10.36 | 72 | 42 | 32 | 107.5 | 73.5 | 40 | 40 | 9 | 9 | 160.5 |
| KHB3K-16NPT | 13 | - | 1/2 - 14 NPT | 13.56 | 84 | 47 | 35 | 107.5 | 73.5 | 40 | 40 | 9 | 9 | 160.5 |
| KHB3K-16NPT | 16 | - | 1/2 - 14 NPT | 13.56 | 83 | 47 | 40 | 128.0 | 88.0 | 46 | 46 | 12 | 17 | 240.0 |
| KHB3K-20NPT | 20 | - | 3/4 - 14 NPT | 13.86 | 95 | 60 | 49 | 154.5 | 105.0 | 57 | 57 | 14 | 22 | 319.5 |
| KHB3K-25NPT | 25 | - | 1 - 11 1/2 NPT | 17.34 | 113 | 65 | 58 | 170.5 | 113.5 | 65 | 65 | 14 | 22 | 319.5 |
| KHB3K-06SAE | 6 | - | 7/16 - 20 UNF | 12 | 69 | 37 | 28 | 93.5 | 65.5 | 33 | 33 | 9 | 9 | 160.5 |
| KHB3K-10SAE | 10 | - | 9/16 - 18 UNF | 13 | 72 | 42 | 32 | 107.5 | 73.5 | 40 | 40 | 9 | 9 | 160.5 |
| KHB3K-16SAE | 16 | - | 3/4 - 16 UNF | 15 | 83 | 47 | 40 | 128.0 | 88.0 | 46 | 46 | 12 | 17 | 240.0 |
| KHB3K-20SAE | 20 | - | 1 1/16 - 12 UN | 20 | 95 | 60 | 49 | 154.5 | 105.0 | 57 | 57 | 14 | 22 | 319.5 |
| KHB3K-25SAE | 25 | - | 1 5/16 - 12 UN | 20 | 113 | 65 | 58 | 170.5 | 113.5 | 65 | 65 | 14 | 22 | 319.5 |

Other connections on request

Switching functions



3/2- and 4/2-way ball valve combination

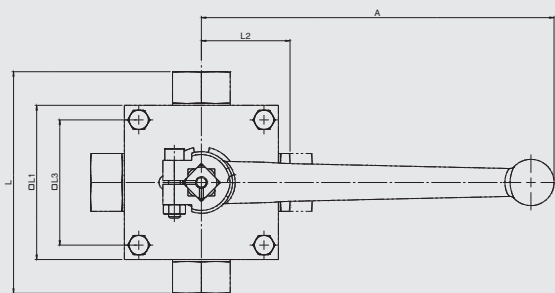
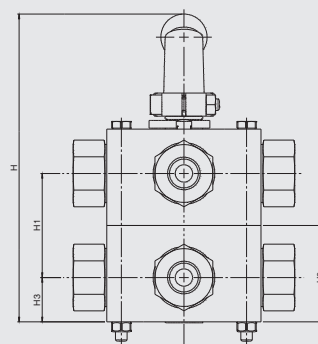
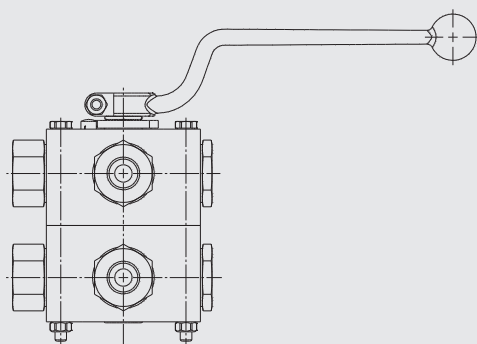


| Type | DN | RA | D1 | i | L | L1 | L2 | L3 | H | H1 | H2 | H3 | D2 | SW1 | SW2 | A |
|-------------|----|----|----------------|-------|-----|-----|------|----|-------|-------|----|----|-----|-----|-----|-------|
| KH3/4-G1/4 | 6 | - | G1/4 | 14 | 100 | 70 | 42.5 | 55 | 116.0 | 72.0 | 40 | 22 | 6.5 | 12 | 17 | 240.0 |
| KH3/4-G3/8 | 10 | - | G3/8 | 14 | 115 | 80 | 46 | 65 | 140.5 | 86.5 | 50 | 27 | 6.5 | 14 | 22 | 319.5 |
| KH3/4-G1/2 | 16 | - | G1/2 | 16 | 135 | 100 | 56 | 80 | 160.5 | 98.5 | 60 | 31 | 9 | 14 | 22 | 319.5 |
| KH3/4-G3/4 | 20 | - | G3/4 | 18 | 144 | 100 | 58 | 85 | 186.5 | 114.5 | 73 | 36 | 9 | 17 | 22 | 319.5 |
| KH3/4-06LR | 4 | 6 | M12x1.5 | 10 | 105 | 70 | 42.5 | 55 | 116.0 | 72.0 | 40 | 22 | 6.5 | 12 | 17 | 240.0 |
| KH3/4-08LR | 6 | 8 | M14x1.5 | 10 | 105 | 70 | 42.5 | 55 | 116.0 | 72.0 | 40 | 22 | 6.5 | 12 | 17 | 240.0 |
| KH3/4-10LR | 8 | 10 | M16x1.5 | 11 | 114 | 80 | 46 | 65 | 140.5 | 86.5 | 50 | 27 | 6.5 | 14 | 22 | 319.5 |
| KH3/4-12LR | 10 | 12 | M18x1.5 | 11 | 114 | 80 | 46 | 65 | 140.5 | 86.5 | 50 | 27 | 6.5 | 14 | 22 | 319.5 |
| KH3/4-15LR | 12 | 15 | M22x1.5 | 12 | 136 | 100 | 56 | 80 | 160.5 | 98.5 | 60 | 31 | 9 | 14 | 22 | 319.5 |
| KH3/4-18LR | 16 | 18 | M26x1.5 | 12 | 136 | 100 | 56 | 80 | 160.5 | 98.5 | 60 | 31 | 9 | 14 | 22 | 319.5 |
| KH3/4-22LR | 20 | 22 | M30x2 | 14 | 143 | 100 | 58 | 85 | 186.5 | 114.5 | 73 | 36 | 9 | 17 | 22 | 319.5 |
| KH3/4-08SR | 4 | 8 | M16x1.5 | 12 | 105 | 70 | 42.5 | 55 | 116.0 | 72.0 | 40 | 22 | 6.5 | 12 | 17 | 240.0 |
| KH3/4-10SR | 6 | 10 | M18x1.5 | 12 | 105 | 70 | 42.5 | 55 | 116.0 | 72.0 | 40 | 22 | 6.5 | 12 | 17 | 240.0 |
| KH3/4-12SR | 8 | 12 | M20x1.5 | 12 | 116 | 80 | 46 | 65 | 140.5 | 86.5 | 50 | 27 | 6.5 | 14 | 22 | 319.5 |
| KH3/4-14SR | 10 | 14 | M22x1.5 | 14 | 120 | 80 | 46 | 65 | 140.5 | 86.5 | 50 | 27 | 6.5 | 14 | 22 | 319.5 |
| KH3/4-16SR | 12 | 16 | M24x1.5 | 14 | 140 | 100 | 56 | 80 | 160.5 | 98.5 | 60 | 31 | 9 | 14 | 22 | 319.5 |
| KH3/4-20SR | 16 | 20 | M30x2 | 16 | 144 | 100 | 56 | 80 | 160.5 | 98.5 | 60 | 31 | 9 | 14 | 22 | 319.5 |
| KH3/4-25SR | 20 | 25 | M36x2 | 18 | 151 | 100 | 58 | 85 | 186.5 | 114.5 | 73 | 36 | 9 | 17 | 22 | 319.5 |
| KH3/4-06NPT | 6 | - | 1/4 - 18 NPT | 10.21 | 100 | 70 | 42.5 | 55 | 116.0 | 72.0 | 40 | 22 | 6.5 | 12 | 17 | 240.0 |
| KH3/4-10NPT | 10 | - | 3/8 - 18 NPT | 10.36 | 115 | 80 | 46 | 65 | 140.5 | 86.5 | 50 | 27 | 6.5 | 14 | 22 | 319.5 |
| KH3/4-12NPT | 12 | - | 1/2 - 14 NPT | 13.56 | 135 | 100 | 56 | 85 | 160.5 | 98.5 | 60 | 31 | 9 | 14 | 22 | 319.5 |
| KH3/4-20NPT | 20 | - | 3/4 - 14 NPT | 13.86 | 144 | 100 | 58 | 85 | 186.5 | 114.5 | 73 | 36 | 9 | 17 | 22 | 319.5 |
| KH3/4-10SAE | 10 | - | 9/16 - 18 UNF | 13 | 115 | 80 | 46 | 65 | 140.5 | 86.5 | 50 | 27 | 6.5 | 14 | 22 | 319.5 |
| KH3/4-12SAE | 12 | - | 3/4 - 16 UNF | 15 | 135 | 100 | 56 | 80 | 160.5 | 98.5 | 60 | 31 | 9 | 14 | 22 | 319.5 |
| KH3/4-20SAE | 20 | - | 1 1/16 - 12 UN | 20 | 144 | 100 | 58 | 85 | 186.5 | 114.5 | 73 | 36 | 9 | 17 | 22 | 319.5 |

Other connections on request

Note: Numerous switching functions can be found in Brochure 5.503 (3-way and 4-way ball valves KH3 / KH4).
(Caution: switching function max. 90°)

Multi-way ball valve combination Stackable design



| Type | DN | RA | D1 | i | L | L1 | L2 | L3 | H | H1 | H2 | H3 | D2 | SW1 | SW2 | A |
|-------------|----|----|----------------|-------|-----|-----|------|----|-----|----|----|----|-----|-----|-----|-----|
| KH3/4-G1/4 | 6 | - | G1/4 | 14 | 100 | 70 | 42.5 | 55 | 137 | 36 | 40 | 22 | 6.5 | 12 | 17 | 163 |
| KH3/4-G3/8 | 10 | - | G3/8 | 14 | 115 | 80 | 46 | 65 | 160 | 46 | 50 | 27 | 6.5 | 14 | 22 | 183 |
| KH3/4-G1/2 | 16 | - | G1/2 | 16 | 135 | 100 | 56 | 80 | 180 | 58 | 60 | 31 | 9 | 14 | 22 | 183 |
| KH3/4-G3/4 | 20 | - | G3/4 | 18 | 144 | 100 | 58 | 85 | 208 | 74 | 73 | 36 | 9 | 17 | 22 | 227 |
| KH3/4-06LR | 4 | 6 | M12x1.5 | 10 | 105 | 70 | 42.5 | 55 | 137 | 36 | 40 | 22 | 6.5 | 12 | 17 | 163 |
| KH3/4-08LR | 6 | 8 | M14x1.5 | 10 | 105 | 70 | 42.5 | 55 | 137 | 36 | 40 | 22 | 6.5 | 12 | 17 | 163 |
| KH3/4-10LR | 8 | 10 | M16x1.5 | 11 | 114 | 80 | 46 | 65 | 160 | 46 | 50 | 27 | 6.5 | 14 | 22 | 183 |
| KH3/4-12LR | 10 | 12 | M18x1.5 | 11 | 114 | 80 | 46 | 65 | 160 | 46 | 50 | 27 | 6.5 | 14 | 22 | 183 |
| KH3/4-15LR | 12 | 15 | M22x1.5 | 12 | 136 | 100 | 56 | 80 | 180 | 58 | 60 | 31 | 9 | 14 | 22 | 183 |
| KH3/4-18LR | 16 | 18 | M26x1.5 | 12 | 136 | 100 | 56 | 80 | 180 | 58 | 60 | 31 | 9 | 14 | 22 | 183 |
| KH3/4-22LR | 20 | 22 | M30x2 | 14 | 143 | 100 | 58 | 85 | 208 | 74 | 73 | 36 | 9 | 17 | 22 | 227 |
| KH3/4-08SR | 4 | 8 | M16x1.5 | 12 | 105 | 70 | 42.5 | 55 | 137 | 36 | 40 | 22 | 6.5 | 12 | 17 | 163 |
| KH3/4-10SR | 6 | 10 | M18x1.5 | 12 | 105 | 70 | 42.5 | 55 | 137 | 36 | 40 | 22 | 6.5 | 12 | 17 | 163 |
| KH3/4-12SR | 8 | 12 | M20x1.5 | 12 | 116 | 80 | 46 | 65 | 160 | 46 | 50 | 27 | 6.5 | 14 | 22 | 183 |
| KH3/4-14SR | 10 | 14 | M22x1.5 | 14 | 120 | 80 | 46 | 65 | 160 | 46 | 50 | 27 | 6.5 | 14 | 22 | 183 |
| KH3/4-16SR | 12 | 16 | M24x1.5 | 14 | 140 | 100 | 56 | 80 | 180 | 58 | 60 | 31 | 9 | 14 | 22 | 183 |
| KH3/4-20SR | 16 | 20 | M30x2 | 16 | 144 | 100 | 56 | 80 | 180 | 58 | 60 | 31 | 9 | 14 | 22 | 183 |
| KH3/4-25SR | 20 | 25 | M36x2 | 18 | 151 | 100 | 58 | 85 | 208 | 74 | 73 | 36 | 9 | 17 | 22 | 227 |
| KH3/4-06NPT | 6 | - | 1/4 - 18 NPT | 10.21 | 100 | 70 | 42.5 | 55 | 137 | 36 | 40 | 22 | 6.5 | 12 | 17 | 163 |
| KH3/4-10NPT | 10 | - | 3/8 - 18 NPT | 10.36 | 115 | 80 | 46 | 65 | 160 | 46 | 50 | 27 | 6.5 | 14 | 22 | 183 |
| KH3/4-12NPT | 12 | - | 1/2 - 14 NPT | 13.56 | 135 | 100 | 56 | 85 | 180 | 58 | 60 | 31 | 9 | 14 | 22 | 183 |
| KH3/4-20NPT | 20 | - | 3/4 - 14 NPT | 13.86 | 144 | 100 | 58 | 85 | 208 | 74 | 73 | 36 | 9 | 17 | 22 | 227 |
| KH3/4-10SAE | 10 | - | 9/16 - 18 UNF | 13 | 115 | 80 | 46 | 65 | 160 | 46 | 50 | 27 | 6.5 | 14 | 22 | 183 |
| KH3/4-12SAE | 12 | - | 3/4 - 16 UNF | 15 | 135 | 100 | 56 | 80 | 180 | 58 | 60 | 31 | 9 | 14 | 22 | 183 |
| KH3/4-20SAE | 20 | - | 1 1/16 - 12 UN | 20 | 144 | 100 | 58 | 85 | 208 | 74 | 73 | 36 | 9 | 17 | 22 | 227 |

Other connections on request

Note: Numerous switching functions can be found in Brochure 5.503 (3-way and 4-way ball valves KH3 / KH4) .

NOTE

The information in this brochure relates to the operating conditions and applications described.

For applications or operating conditions not described, please contact the relevant technical department.

Subject to technical modifications.

HYDAC Accessories GmbH
Hirschbachstr. 2
66280 Sulzbach/Saar
Tel.: +49 (0)6897 - 509-01
Fax: +49 (0)6897 - 509-1009
Internet: www.hydac.com
E-Mail: info@hydac.com