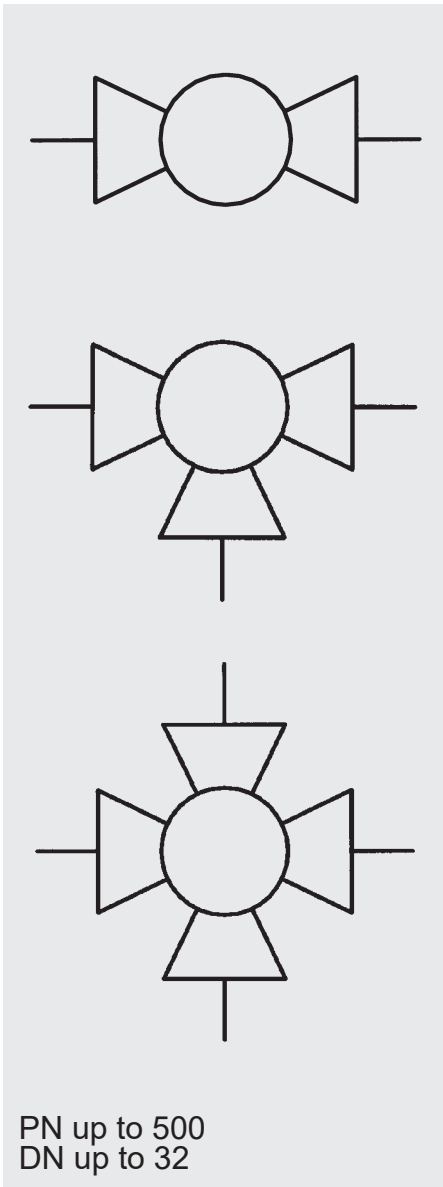


Ball valve combinations

Model code
(also order example)

KH3-12SR-L-1112-01X KOMBI



Designation

Type of ball valve

Arrangement

KOMBI = combination
(ball valves mounted in tandem)

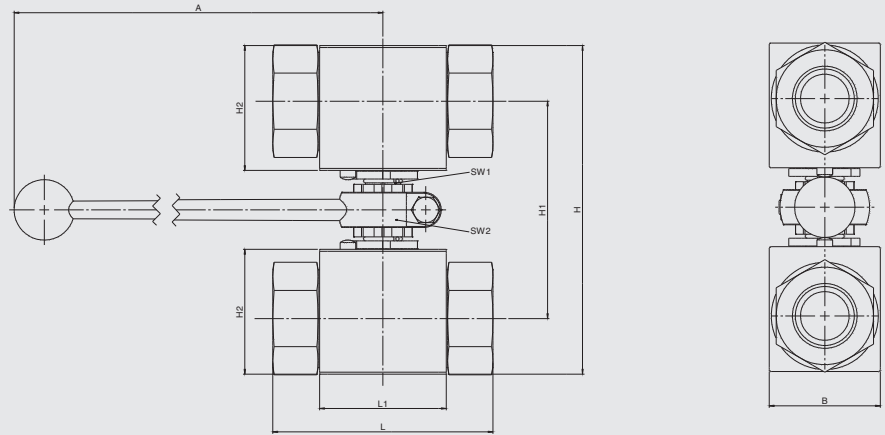
Number of ball valves

... = 2 ball valves (2 supplied as standard)
4X = 4 ball valves
(others on request)

Options

SO241 = block combinations
SB = stackable design

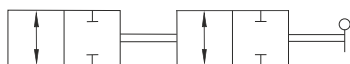
Dimensions 2/2-way combinations (KHB)



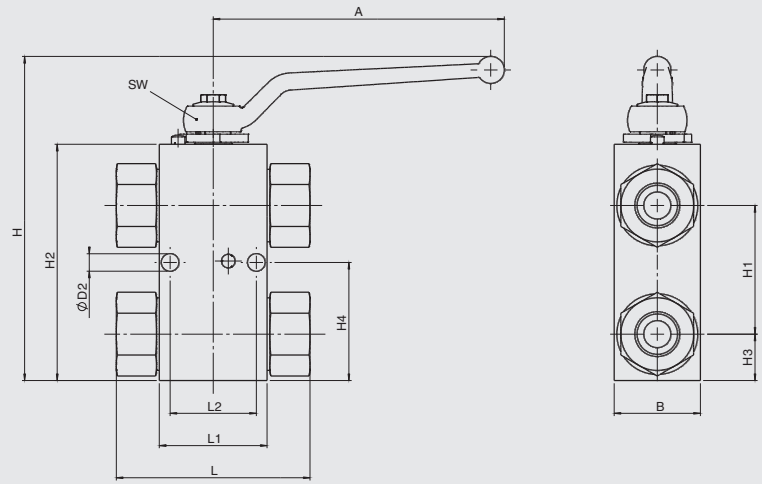
Type	DN	RA	D1	L	L1	B	H	H1	H2	SW1	SW2	A
KHB-G1/8	4	-	G1/8	69	37	28	93.5	65.5	33	9	9	160.5
KHB-G1/4	6	-	G1/4	69	37	28	93.5	65.5	33	9	9	160.5
KHB-G3/8	10	-	G3/8	72	42	32	107.5	73.5	40	9	9	160.5
KHB-G1/2	13	-	G1/2	84	47	35	107.5	73.5	40	9	9	160.5
KHB-G1/2	16	-	G1/2	83	47	40	128.0	88.0	46	12	17	240.0
KHB-G3/4	20	-	G3/4	95	60	49	154.5	105.0	57	14	22	319.5
KHB-G1	25	-	G1	113	65	58	170.5	113.5	65	14	22	319.5
KHB-G11/4	25/32	-	G11/4	120	65	57	170.5	113.5	65	14	22	319.5
KHB-06LR	4	6	M12x1.5	67	37	28	93.5	65.5	33	9	9	160.5
KHB-08LR	6	8	M14x1.5	67	37	28	93.5	65.5	33	9	9	160.5
KHB-10LR	8	10	M16x1.5	74	42	32	107.5	73.5	40	9	9	160.5
KHB-12LR	10	12	M18x1.5	74	42	32	107.5	73.5	40	9	9	160.5
KHB-15LR	13	15	M22x1.5	82	47	35	107.5	73.5	40	9	9	160.5
KHB-15LR	12	15	M22x1.5	82	47	39	128.0	88.0	46	12	17	240.0
KHB-18LR	13	18	M26x1.5	82	47	35	107.5	73.5	40	9	9	160.5
KHB-18LR	16	18	M26x1.5	82	47	40	128.0	88.0	46	12	17	240.0
KHB-22LR	20	22	M30x2	101	60	49	154.5	105.0	57	14	22	319.5
KHB-28LR	25	28	M36x2	108	65	58	170.5	113.5	65	14	22	319.5
KHB-35LR	25/32	35.5	M45x2	112	65	58	170.5	113.5	65	14	22	319.5
KHB-08SR	4	8	M16x1.5	73	37	28	93.5	65.5	33	9	9	160.5
KHB-10SR	6	10	M18x1.5	73	37	28	93.5	65.5	33	9	9	160.5
KHB-12SR	8	12	M20x1.5	76	42	32	107.5	73.5	40	9	9	160.5
KHB-14SR	10	14	M22x1.5	80	42	32	107.5	73.5	40	9	9	160.5
KHB-16SR	13	16	M24x1.5	86	47	35	107.5	73.5	40	9	9	160.5
KHB-16SR	12	16	M24x1.5	86	47	39	128.0	88.0	46	12	17	240.0
KHB-20SR	13	20	M30x2	90	47	35	107.5	73.5	40	9	9	160.5
KHB-20SR	16	20	M30x2	90	47	40	128.0	88.0	46	12	17	240.0
KHB-25SR	20	25	M36x2	109	60	49	154.5	105.0	57	14	22	319.5
KHB-30SR	25	30	M42x2	120	65	58	170.5	113.5	65	14	22	319.5
KHB-38SR	25/32	38.3	M52x2	124	65	58	170.5	113.5	65	14	22	319.5
KHB-06NPT	6	-	1/4 - 18 NPT	69	37	28	93.5	65.5	33	9	9	160.5
KHB-10NPT	10	-	3/8 - 18 NPT	72	42	32	107.5	73.5	40	9	9	160.5
KHB-16NPT	13	-	1/2 - 14 NPT	84	47	35	107.5	73.5	40	9	9	160.5
KHB-16NPT	16	-	1/2 - 14 NPT	83	47	40	128.0	88.0	46	12	17	240.0
KHB-20NPT	20	-	3/4 - 14 NPT	95	60	49	154.5	105.0	57	14	22	319.5
KHB-25NPT	25	-	1 - 11 1/2 NPT	113	65	58	170.5	113.5	65	14	22	319.5
KHB-06SAE	6	-	7/16 - 20 UNF	69	37	28	93.5	65.5	33	9	9	160.5
KHB-10SAE	10	-	9/16 - 18 UNF	72	42	32	107.5	73.5	40	9	9	160.5
KHB-16SAE	13	-	3/4 - 16 UNF	92	47	35	107.5	73.5	40	9	9	160.5
KHB-16SAE	16	-	3/4 - 16 UNF	83	47	40	128.0	88.0	46	12	17	240.0
KHB-20SAE	20	-	1 1/16 - 12 UN	95	60	49	154.5	105.0	57	14	22	319.5
KHB-25SAE	25	-	1 5/16 - 12 UN	113	65	58	170.5	113.5	65	14	22	319.5

Other connections on request

Switching functions



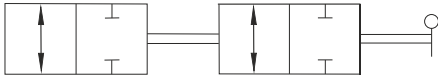
2/2-way block combinations (SO241)



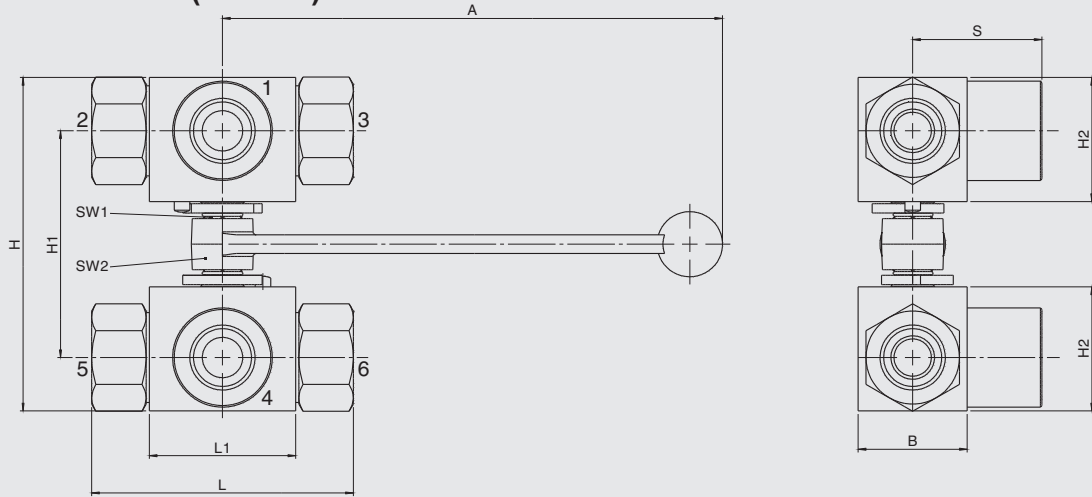
Type	DN	RA	D1	D2	i	L	L1	L2	B	H	H1	H2	H3	H4	SW	A
KHB-G3/8	10	-	G3/8	6.5	14	70	40	32	32	121	47.9	88	17.3	44	9	108
KHB-G1/2	13	-	G1/2	6.5	15	82	40	32	32	121	47.9	88	17.3	44	9	108
KHB-10LR	8	10	M16x1.5	6.5	11	72	40	32	32	121	47.9	88	17.3	44	9	108
KHB-12LR	10	12	M18x1.5	6.5	11	72	40	32	32	121	47.9	88	17.3	44	9	108
KHB-15LR	12	15	M22x1.5	6.5	12	80	40	32	32	121	47.9	88	17.3	44	9	108
KHB-15LR	13	15	M22x1.5	6.5	12	80	40	32	32	121	47.9	88	17.3	44	9	108
KHB-12SR	8	12	M20x1.5	6.5	12	74	40	32	32	121	47.9	88	17.3	44	9	108

Other connections on request

Switching functions



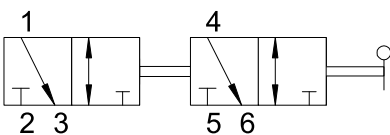
3/2-way combinations (KHB3K)



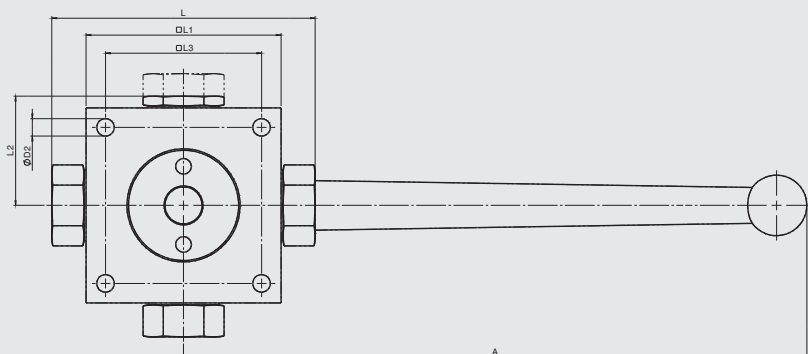
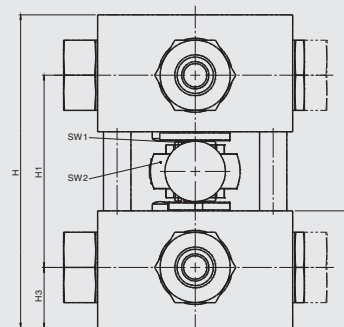
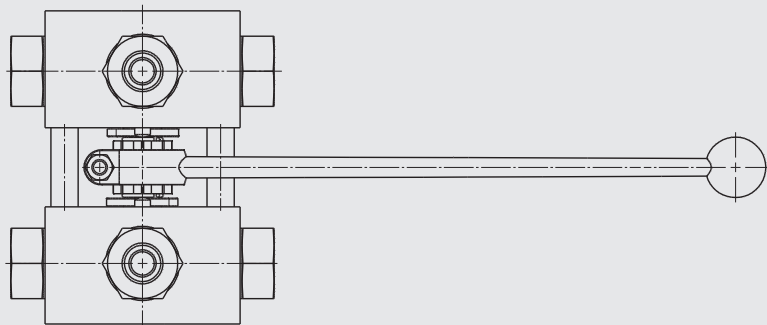
Type	DN	RA	D1	i	L	L1	B	H	H1	H2	S	SW1	SW2	A
KHB3K-G1/4	6	-	G1/4	14	69	37	28	93.5	65.5	33	34.5	9	9	160.5
KHB3K-G3/8	10	-	G3/8	14	72	42	32	107.5	73.5	40	36	9	9	160.5
KHB3K-G1/2	13	-	G1/2	15	84	47	35	107.5	73.5	40	41.5	9	9	160.5
KHB3K-G1/2	16	-	G1/2	16	83	47	40	128.0	88.0	46	41.5	12	17	240.0
KHB3K-G3/4	20	-	G3/4	18	95	60	49	154.5	105.0	57	47.5	14	22	319.5
KHB3K-G1	25	-	G1	20.5	113	65	58	170.5	113.5	65	56.5	14	22	319.5
KHB3K-G11/4	25/32	-	G11/4	22	120	65	57	170.5	113.5	65	70.5	14	22	319.5
KHB3K-06LR	4	6	M12x1.5	7	67	37	28	93.5	65.5	33	33.5	9	9	160.5
KHB3K-08LR	6	8	M14x1.5	7	67	37	28	93.5	65.5	33	33.5	9	9	160.5
KHB3K-10LR	8	10	M16x1.5	11	74	42	32	107.5	73.5	40	37	9	9	160.5
KHB3K-12LR	10	12	M18x1.5	11	74	42	32	107.5	73.5	40	37	9	9	160.5
KHB3K-15LR	13	15	M22x1.5	12	82	47	35	107.5	73.5	40	41	9	9	160.5
KHB3K-18LR	13	18	M26x1.5	12	82	47	35	107.5	73.5	40	41	9	9	160.5
KHB3K-18LR	16	18	M26x1.5	12	82	47	40	128.0	88.0	46	41	12	17	240.0
KHB3K-22LR	20	22	M30x2	14	101	60	49	154.5	105.0	57	50.5	14	22	319.5
KHB3K-28LR	25	28	M36x2	14	108	65	58	170.5	113.5	65	54	14	22	319.5
KHB3K-35LR	25/32	35.3	M45x2	16	112	65	58	170.5	113.5	65	69	14	22	319.5
KHB3K-08SR	4	8	M16x1.5	7	73	37	28	93.5	65.5	33	36.5	9	9	160.5
KHB3K-10SR	6	10	M18x1.5	7.5	73	37	28	93.5	65.5	33	36.5	9	9	160.5
KHB3K-12SR	8	12	M20x1.5	12	76	42	32	107.5	73.5	40	38	9	9	160.5
KHB3K-14SR	10	14	M22x1.5	14	80	42	32	107.5	73.5	40	40	9	9	160.5
KHB3K-16SR	13	16	M24x1.5	14	86	47	35	107.5	73.5	40	43	9	9	160.5
KHB3K-20SR	13	20	M30x2	16	90	47	35	107.5	73.5	40	45	9	9	160.5
KHB3K-20SR	16	20	M30x2	16	90	47	40	128.0	88.0	46	45	12	17	240.0
KHB3K-25SR	20	25	M36x2	18	109	60	49	154.5	105.0	57	54.5	14	22	319.5
KHB3K-30SR	25	30	M42x2	20	120	65	58	170.5	113.5	65	60	14	22	319.5
KHB3K-06NPT	6	-	1/4 - 18 NPT	6.7	69	37	28	93.5	65.5	33	33	9	9	160.5
KHB3K-10NPT	10	-	3/8 - 18 NPT	10.36	72	42	32	107.5	73.5	40	40	9	9	160.5
KHB3K-16NPT	13	-	1/2 - 14 NPT	13.56	84	47	35	107.5	73.5	40	40	9	9	160.5
KHB3K-16NPT	16	-	1/2 - 14 NPT	13.56	83	47	40	128.0	88.0	46	46	12	17	240.0
KHB3K-20NPT	20	-	3/4 - 14 NPT	13.86	95	60	49	154.5	105.0	57	57	14	22	319.5
KHB3K-25NPT	25	-	1 - 11 1/2 NPT	17.34	113	65	58	170.5	113.5	65	65	14	22	319.5
KHB3K-06SAE	6	-	7/16 - 20 UNF	12	69	37	28	93.5	65.5	33	33	9	9	160.5
KHB3K-10SAE	10	-	9/16 - 18 UNF	13	72	42	32	107.5	73.5	40	40	9	9	160.5
KHB3K-16SAE	16	-	3/4 - 16 UNF	15	83	47	40	128.0	88.0	46	46	12	17	240.0
KHB3K-20SAE	20	-	1 1/16 - 12 UN	20	95	60	49	154.5	105.0	57	57	14	22	319.5
KHB3K-25SAE	25	-	1 5/16 - 12 UN	20	113	65	58	170.5	113.5	65	65	14	22	319.5

Other connections on request

Switching functions



3/2- and 4/2-way ball valve combinations

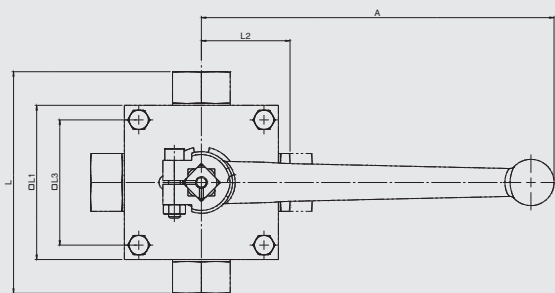
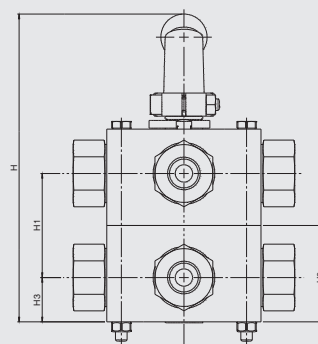
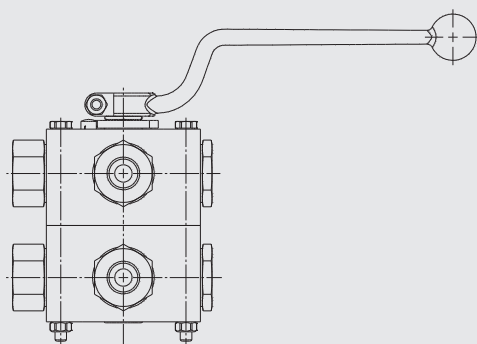


Type	DN	RA	D1	i	L	L1	L2	L3	H	H1	H2	H3	D2	SW1	SW2	A
KH3/4-G1/4	6	-	G1/4	14	100	70	42.5	55	116.0	72.0	40	22	6.5	12	17	240.0
KH3/4-G3/8	10	-	G3/8	14	115	80	46	65	140.5	86.5	50	27	6.5	14	22	319.5
KH3/4-G1/2	16	-	G1/2	16	135	100	56	80	160.5	98.5	60	31	9	14	22	319.5
KH3/4-G3/4	20	-	G3/4	18	144	100	58	85	186.5	114.5	73	36	9	17	22	319.5
KH3/4-06LR	4	6	M12x1.5	10	105	70	42.5	55	116.0	72.0	40	22	6.5	12	17	240.0
KH3/4-08LR	6	8	M14x1.5	10	105	70	42.5	55	116.0	72.0	40	22	6.5	12	17	240.0
KH3/4-10LR	8	10	M16x1.5	11	114	80	46	65	140.5	86.5	50	27	6.5	14	22	319.5
KH3/4-12LR	10	12	M18x1.5	11	114	80	46	65	140.5	86.5	50	27	6.5	14	22	319.5
KH3/4-15LR	12	15	M22x1.5	12	136	100	56	80	160.5	98.5	60	31	9	14	22	319.5
KH3/4-18LR	16	18	M26x1.5	12	136	100	56	80	160.5	98.5	60	31	9	14	22	319.5
KH3/4-22LR	20	22	M30x2	14	143	100	58	85	186.5	114.5	73	36	9	17	22	319.5
KH3/4-08SR	4	8	M16x1.5	12	105	70	42.5	55	116.0	72.0	40	22	6.5	12	17	240.0
KH3/4-10SR	6	10	M18x1.5	12	105	70	42.5	55	116.0	72.0	40	22	6.5	12	17	240.0
KH3/4-12SR	8	12	M20x1.5	12	116	80	46	65	140.5	86.5	50	27	6.5	14	22	319.5
KH3/4-14SR	10	14	M22x1.5	14	120	80	46	65	140.5	86.5	50	27	6.5	14	22	319.5
KH3/4-16SR	12	16	M24x1.5	14	140	100	56	80	160.5	98.5	60	31	9	14	22	319.5
KH3/4-20SR	16	20	M30x2	16	144	100	56	80	160.5	98.5	60	31	9	14	22	319.5
KH3/4-25SR	20	25	M36x2	18	151	100	58	85	186.5	114.5	73	36	9	17	22	319.5
KH3/4-06NPT	6	-	1/4 - 18 NPT	10.21	100	70	42.5	55	116.0	72.0	40	22	6.5	12	17	240.0
KH3/4-10NPT	10	-	3/8 - 18 NPT	10.36	115	80	46	65	140.5	86.5	50	27	6.5	14	22	319.5
KH3/4-12NPT	12	-	1/2 - 14 NPT	13.56	135	100	56	85	160.5	98.5	60	31	9	14	22	319.5
KH3/4-20NPT	20	-	3/4 - 14 NPT	13.86	144	100	58	85	186.5	114.5	73	36	9	17	22	319.5
KH3/4-10SAE	10	-	9/16 - 18 UNF	13	115	80	46	65	140.5	86.5	50	27	6.5	14	22	319.5
KH3/4-12SAE	12	-	3/4 - 16 UNF	15	135	100	56	80	160.5	98.5	60	31	9	14	22	319.5
KH3/4-20SAE	20	-	1 1/16 - 12 UN	20	144	100	58	85	186.5	114.5	73	36	9	17	22	319.5

Other connections on request

Note: Numerous switching functions can be found in Brochure 5.503 (3-way and 4-way ball valves KH3 / KH4).
(Caution: switching function max. 90°)

Multi-way ball valve combination Stackable design



Type	DN	RA	D1	i	L	L1	L2	L3	H	H1	H2	H3	D2	SW1	SW2	A
KH3/4-G1/4	6	-	G1/4	14	100	70	42.5	55	137	36	40	22	6.5	12	17	163
KH3/4-G3/8	10	-	G3/8	14	115	80	46	65	160	46	50	27	6.5	14	22	183
KH3/4-G1/2	16	-	G1/2	16	135	100	56	80	180	58	60	31	9	14	22	183
KH3/4-G3/4	20	-	G3/4	18	144	100	58	85	208	74	73	36	9	17	22	227
KH3/4-06LR	4	6	M12x1.5	10	105	70	42.5	55	137	36	40	22	6.5	12	17	163
KH3/4-08LR	6	8	M14x1.5	10	105	70	42.5	55	137	36	40	22	6.5	12	17	163
KH3/4-10LR	8	10	M16x1.5	11	114	80	46	65	160	46	50	27	6.5	14	22	183
KH3/4-12LR	10	12	M18x1.5	11	114	80	46	65	160	46	50	27	6.5	14	22	183
KH3/4-15LR	12	15	M22x1.5	12	136	100	56	80	180	58	60	31	9	14	22	183
KH3/4-18LR	16	18	M26x1.5	12	136	100	56	80	180	58	60	31	9	14	22	183
KH3/4-22LR	20	22	M30x2	14	143	100	58	85	208	74	73	36	9	17	22	227
KH3/4-08SR	4	8	M16x1.5	12	105	70	42.5	55	137	36	40	22	6.5	12	17	163
KH3/4-10SR	6	10	M18x1.5	12	105	70	42.5	55	137	36	40	22	6.5	12	17	163
KH3/4-12SR	8	12	M20x1.5	12	116	80	46	65	160	46	50	27	6.5	14	22	183
KH3/4-14SR	10	14	M22x1.5	14	120	80	46	65	160	46	50	27	6.5	14	22	183
KH3/4-16SR	12	16	M24x1.5	14	140	100	56	80	180	58	60	31	9	14	22	183
KH3/4-20SR	16	20	M30x2	16	144	100	56	80	180	58	60	31	9	14	22	183
KH3/4-25SR	20	25	M36x2	18	151	100	58	85	208	74	73	36	9	17	22	227
KH3/4-06NPT	6	-	1/4 - 18 NPT	10.21	100	70	42.5	55	137	36	40	22	6.5	12	17	163
KH3/4-10NPT	10	-	3/8 - 18 NPT	10.36	115	80	46	65	160	46	50	27	6.5	14	22	183
KH3/4-12NPT	12	-	1/2 - 14 NPT	13.56	135	100	56	85	180	58	60	31	9	14	22	183
KH3/4-20NPT	20	-	3/4 - 14 NPT	13.86	144	100	58	85	208	74	73	36	9	17	22	227
KH3/4-10SAE	10	-	9/16 - 18 UNF	13	115	80	46	65	160	46	50	27	6.5	14	22	183
KH3/4-12SAE	12	-	3/4 - 16 UNF	15	135	100	56	80	180	58	60	31	9	14	22	183
KH3/4-20SAE	20	-	1 1/16 - 12 UN	20	144	100	58	85	208	74	73	36	9	17	22	227

Other connections on request

Note: Numerous switching functions can be found in Brochure 5.503 (3-way and 4-way ball valves KH3 / KH4).

NOTE

The information in this brochure relates to the operating conditions and applications described. For applications and operating conditions not described, please contact the relevant technical department.

The operator is always responsible for determining the product suitability for the specific application. Quantified values for product characteristics are average values for a new product that undergo a time deterioration process.

Subject to technical modifications and errors.

HYDAC Accessories GmbH
Hirschbachstr. 2
66280 Sulzbach/Saar
Tel.: +49 (0)6897 - 509-01
Fax: +49 (0)6897 - 509-1009
Internet: www.hydac.com
E-Mail: accessories@hydac.com