

Bell Housings with Flexible Pump Mounting with Oil/Air Cooler

PTK Series

1. DESCRIPTION

1.1. GENERAL

Bell housings are connection elements between drive motors and hydraulic pumps.

Both connecting flanges are supplied ready for installation.

The bell housings are made from an aluminium cast alloy.

On the PTK (bell housing with built-in oil/air cooler) the oil is cooled efficiently by an air stream produced by a fan mounted on the motor shaft.

This combination of noise-damping bell housing and oil/air cooler considerably simplifies the construction and reduces the cost of hydraulic systems.

The high cooling capacity of the built-in cooler enables the user to reduce his tank capacity.

This reduction in oil quantity results in a reduction in operating costs and oil disposal costs.

1.2. MODELS

Bell housings with flexible pump mounting and oil/air cooler are supplied with dimensions to the VDMA 24561 standard.

2. TECHNICAL SPECIFICATIONS

2.1. GENERAL

2.1.1 Mounting position

Optional.

Once both mounting bolts have been removed, the cooler element can be turned through 180° (ports point towards the motor or to the pump).

2.1.2 Temperature ranges

During operation of the PTK, ensure that the maximum oil temperature of +100 °C is not exceeded.

Warning! If there is a temperature difference of over 50 °C between the oil inlet on the cooler element and the ambient temperature, large fluctuations in temperature (e.g. by turning on and off frequently) must be avoided. Otherwise this could result in significant reduction in lifetime or direct damage to the element through stress cracking.

Permitted ambient temperature: -20 °C to +60 °C

2.1.3 Noise level reduction

PTKs have a flexible damping ring as standard between the bell housing and pump flange.

This ensures a complete decoupling of the pump from the motor and bell housing.

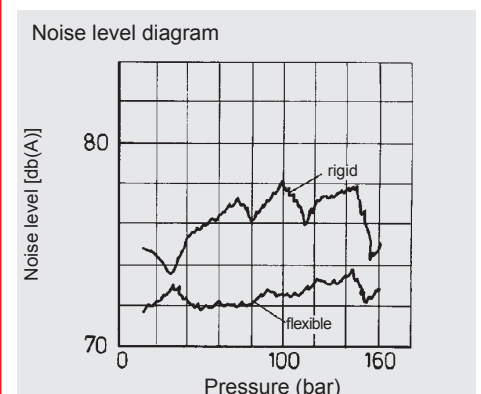
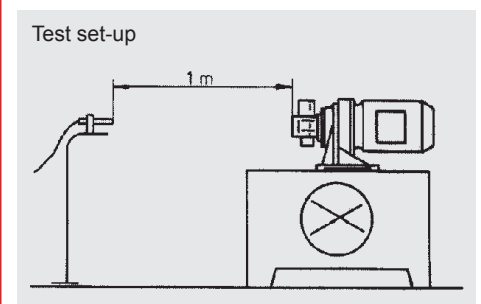
The additional use of flexible damping rails reduces the noise level still further.

Basically, the noise level reduction achieved depends on many factors such as pump type, operating pressure, type of fitting, design etc.

It is therefore not possible to quote exact figures.

In general, noise level reductions of up to 6 dB(A) can be achieved by using the flexible pump mounting.

The illustration below shows how the test is set up, together with a graph showing typical noise level improvements when using a flexible bell housing compared with a rigid bell housing.



2.1.4 Notes on mounting

The fixing bolts used for mounting the motor to the pump must be long enough in order to fully utilize the available thread depth on the PTK.

If the bolts used are too short, there is the risk of damaging the thread and consequently the whole unit.

2.1.5 Weight loading

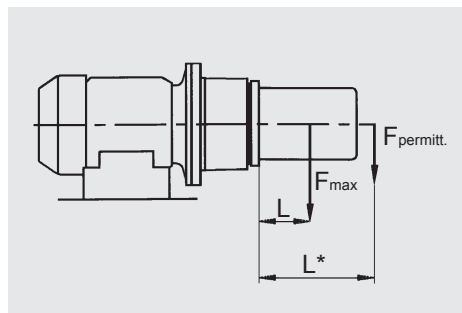
The permitted radial or axial load of the PTK with flexible pump mounting, allowing for an operating temperature of +60 °C:

PTK Nominal size	Type of damping ring	Permitted force due to gravity F_{max} [N]	Centre of gravity distance for radial load L [mm]
200/2001	E	400	200
250	E	700	200
300	E	1150	200
350/3501	E	1500	200

For a larger centre of gravity distance L^* the permitted force due to gravity is reduced according to the following formula:

$$F_{\text{permitt.}^*} = \frac{F_{\text{max.}} \cdot L}{L^*} \text{ [N]}$$

If the centre of gravity distance L^* of the pump is smaller than the centre of gravity distance L in the table, then the permitted force due to gravity $F_{\text{permitt.}}$ for the pump is equal to the maximum force due to gravity F_{max} in the table.



2.2. SPECIFICATIONS

2.2.1 Coolant

Mineral oil to DIN 51524, other fluids on request

2.2.2 Nominal rpm for drive

$n=1430$ 1/min

(Base rpm for the stated technical data)

(up to 3000 1/min possible)

2.2.3 Direction of rotation

When looking at the pump shaft **clockwise**

2.2.4 Air flow rate

Nominal size	Volume
PTK-200	approx. 72 m³/h
PTK-2001	approx. 72 m³/h
PTK-250	approx. 260 m³/h
PTK-300	approx. 435 m³/h
PTK-350	approx. 780 m³/h
PTK-3501	approx. 780 m³/h

2.2.5 Power requirement for fan

Nominal size	Rotation speed	
	1430 1/min	1800 1/min
PTK-200	20 Watt	30 Watt
PTK-2001	20 Watt	30 Watt
PTK-250	30 Watt	50 Watt
PTK-300	90 Watt	130 Watt
PTK-350	140 Watt	220 Watt
PTK-3501	140 Watt	220 Watt

2.2.6 Noise levels for PTK with electric motor without pump

(measured to DIN 45635, Part 1)

Nominal size	Output of electric motor at 1430 1/min	PTK with electric motor
PTK-200	1.5 kW	52 db(A)
PTK-250	4 kW	58 db(A)
PTK-300	5.5 kW	69 db(A)
PTK-350	11 kW	70 db(A)

The noise levels with electric motor depend on the make of motor.

The noise levels are only a guide as the acoustic properties of a room and reflections have an effect on the noise level.

2.3. HYDRAULIC DATA

2.3.1 Cooler element

Material

Aluminium

Pressure resistance

– At an operating pressure of ≤ 16 bar and a temperature ≤ 50 °C, 2 million cycles (2 Hz) are achieved. For higher operating pressures and/or temperatures, the life expectancy will be shorter.

– Maximum operating pressure at static pressure resistance is 40 bar.

Mounting

When mounting or dismantling the threaded connection of the cooler inlet or outlet, the torque must be countered (protects the cooler element from distortions). Please also see the assembly instructions supplied with the product.

NOTE

The information in this brochure relates to the operating conditions and applications described.

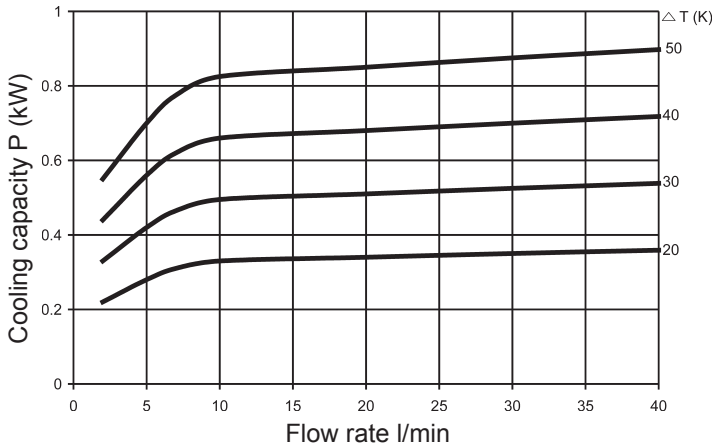
For applications and operating conditions not described, please contact the relevant technical department.

Subject to technical modifications.

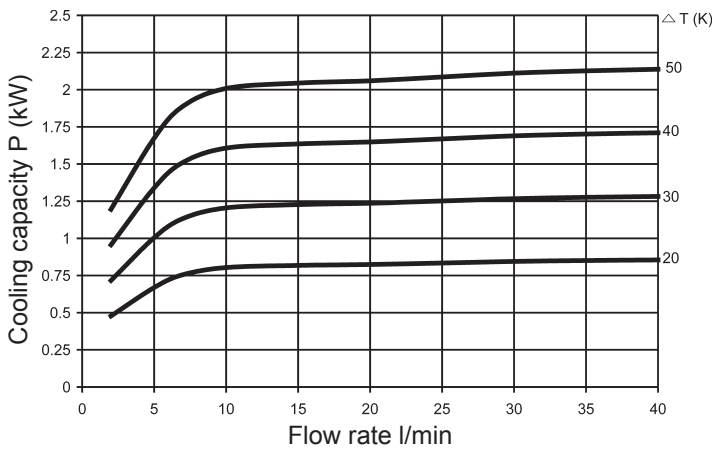
2.3.2 Cooling capacity

Cooling capacity against oil flow rate for different temperature differentials ΔT between oil inlet and air inlet. (Motor rpm 1430 1/min)

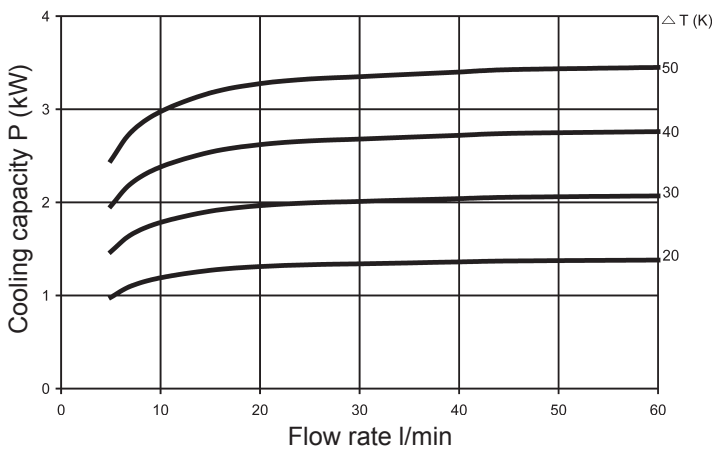
PTK-200/PTK-2001



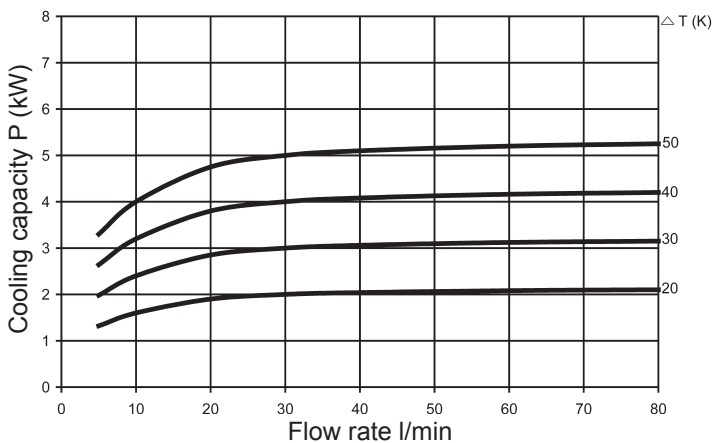
PTK-250



PTK-300



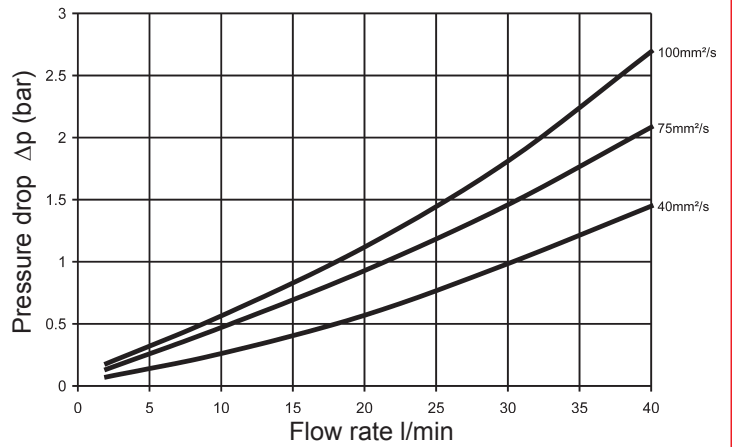
PTK-350/PTK-3501



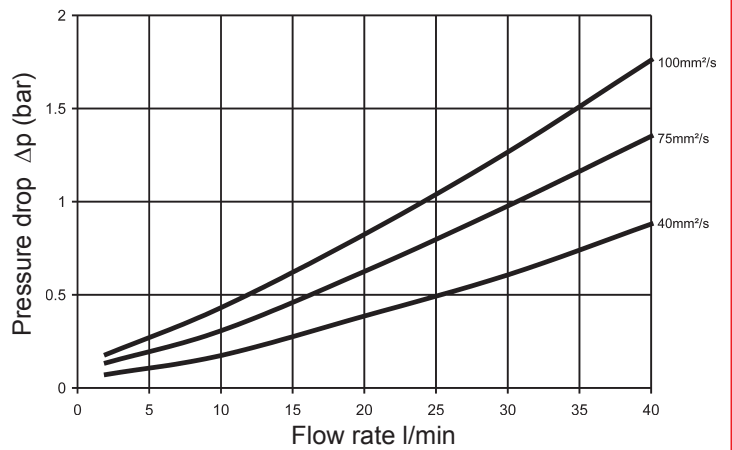
2.3.3 Pressure drop Δp in the cooler element

Flow direction is optional. The differential pressure Δp is shown against flow rate for different viscosities.

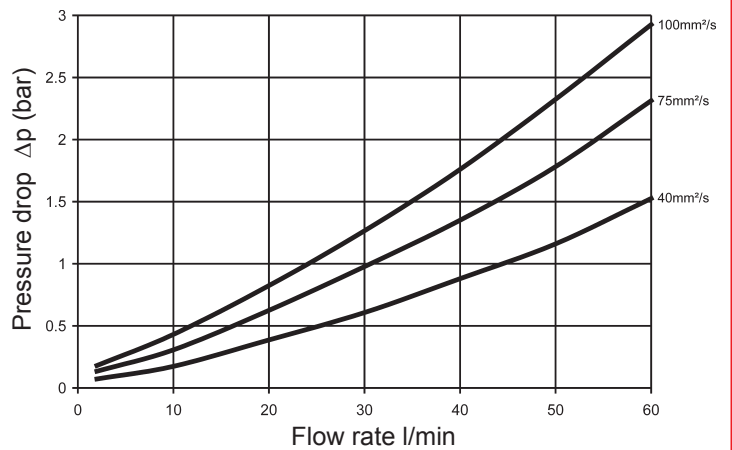
PTK-200/PTK-2001



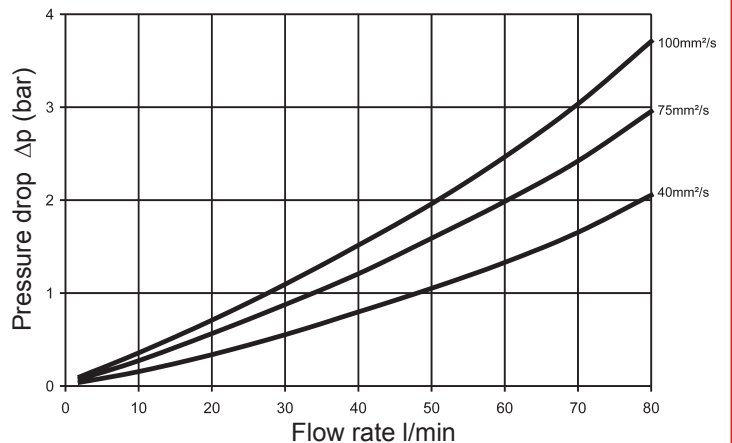
PTK-250



PTK-300



PTK-350/PTK-3501



3. MODEL CODE

PTK - 250 / 2.X / M / FL001 - E / F3

Bell housing with flexible pump mounting and built-in oil/air cooler

Nominal size for IEC standard motor (type of mounting B5, B35, V1, V15)

Nominal size PTK	Size Electric motor	Output n = 1430 rpm
2001	80	0.55 - 0.75 kW
200	90	1.1 - 1.5 kW
250	100/112	2.2 - 4.0 kW
300	132	5.5 - 7.5 kW
350	160	11.0 - 15.0 kW
3501	180	18.5 - 22.0 kW

Modification number

Mineral oil resistance (Special models on request)

Bore template code for pump connection (please use our sizing program PT-WIN)

Type of damping ring

E = standard

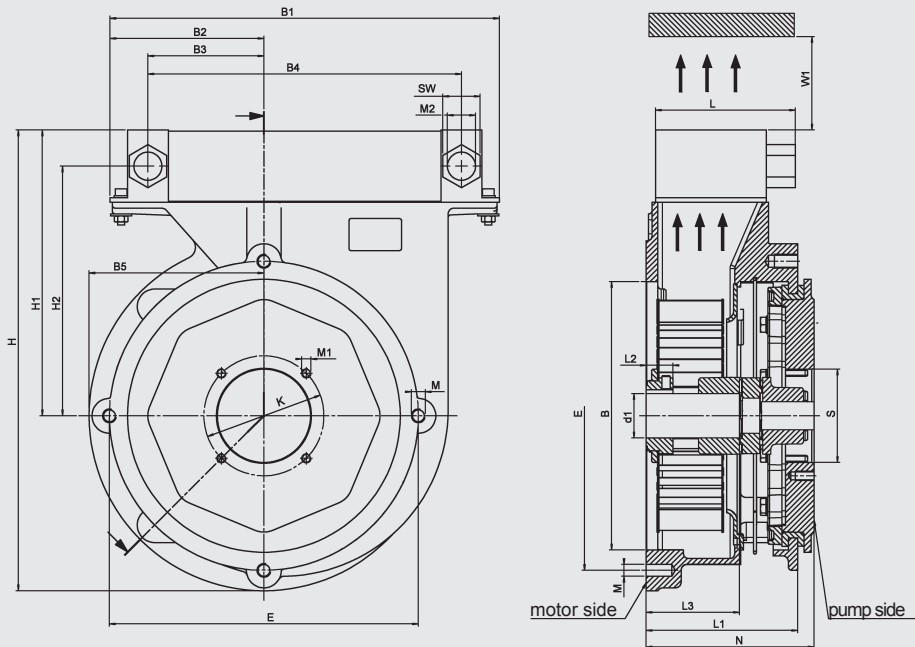
K = damping ring for higher loads (greater rigidity)

Accessories

... = without accessories (no details)

F3 = bell housing foot bracket

3.1. DIMENSIONS



Electric motor	Output at 1500 rpm	Electric Drive shaft	PTK Nominal size	PTK Foot bracket	PTK Mounting plate	H	H1	H2	B	E	M	B1	B2	B3	B4	B5	SW	M2	L	L1	L2	min. W1
80	0.55	19 x 40	PTK-2001	PTFL-200	PP200	275	174	143	130	164	M10	260	110	77.5	195	100	32	G3/4	84	80	21	120
90 S	1.1	24 x 50	PTK-200																			
90 L	1.5																					
100 L	2.2	28 x 60	PTK-250	PTFL-250	PP250	327	197	166	180	215	M12	334	156	123.5	269	130	32	G3/4	120	105	23	160
112 M	4																					
132 S	5.5	38 x 80	PTK-300	PTFL-300	PP-300	395	245	214	230	265	M12	334	132	99.5	269	150	32	G3/4	120	130	23	200
132 M	7.5																					
160 M	11	42 x 110	PTK-350																			
160 L	15			PTFL-350	-	437	262	231	250	300	M16	334	102	69.5	269	175	32	G3/4	148	170	31	240
180 M	18.5	48 x 110	PTK-3501																			
180 L	22																					

To identify the bore template code (dimensions N, S, K, M1), please use our sizing program PT-WIN as far as possible, or ask at our Head Office. You can download and use the PT-WIN program free of charge from our website www.hydac.com by clicking through Support » Download » Software » Product Division - Accessories.

Accessories:

For the range of accessories (bell housing foot brackets, bell housing mounting plate, damping rails, damping rings and couplings) please use our supplementary brochure "Bell Housing Accessories". This brochure can be downloaded from our website www.hydac.com.

HYDAC Accessories GmbH

Hirschbachstr. 2

66280 Sulzbach/Saar

Tel.: +49 (0)6897 - 509-01

Fax: +49 (0)6897 - 509-1009

Internet: www.hydac.com

E-Mail: info@hydac.com