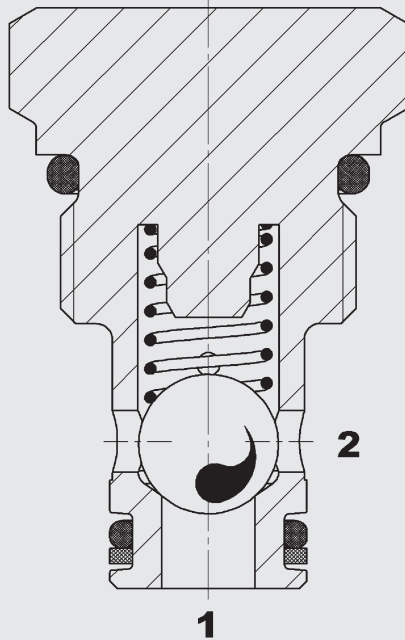




up to 38 l/min
up to 350 bar

FUNCTION



The check valve is a direct-acting, spring-loaded ball poppet valve. When there is no flow through the valve, the spring holds the ball in the closed position and therefore shuts off port 2 from port 1. The valve opens when the pressure at port 1 is higher than the pressure at port 2, including the pressure created by the spring force.

Check Valve Ball Type, direct-acting UNF Cartridge – 350 bar RV08A-01

FEATURES

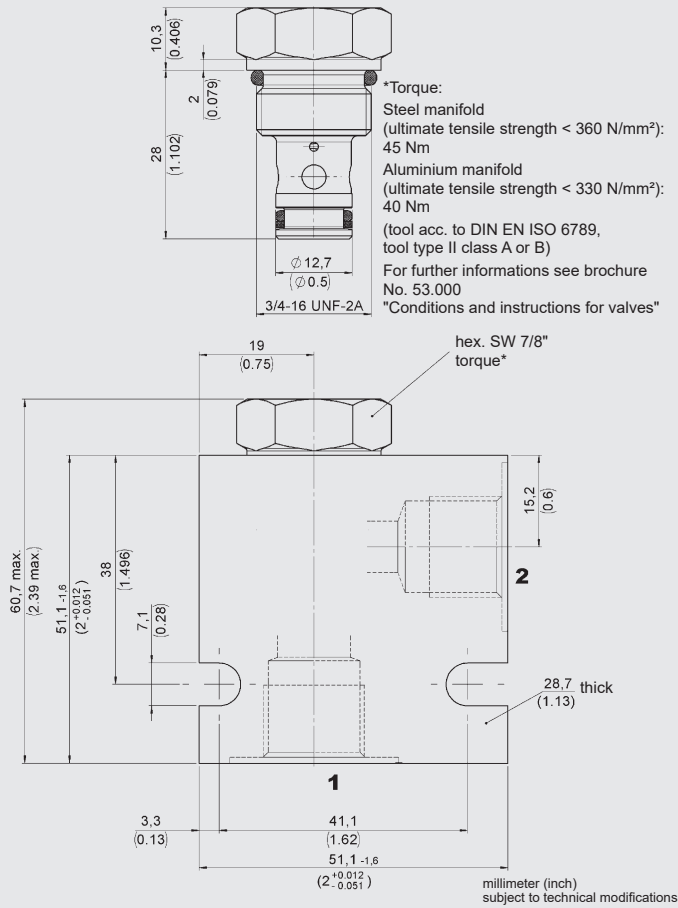
- Main application is to prevent uncontrolled movement or creeping of loaded cylinders and also to shut-off sections of the system
- Excellent stability throughout the entire flow range
- Exposed surfaces zinc-nickel plated for increased corrosion protection (1.000 h Salt spray test)

SPECIFICATIONS*

Operating pressure:	max. 350 bar
Nominal flow:	max. 38 l/min
Internal leakage:	leak-free max. 5 drops/min (0,25 cm ³ /min) at 350 bar
Cracking pressure:	0.35 bar 1.00 bar 2.00 bar 5.00 bar
Ambient temperature range:	min. -30 °C to max. +100 °C
Media operating temperature range:	min. -30 °C to max. +100 °C
Operating fluid:	Hydraulic oil to DIN 51524 Part 1, 2 and 3
Viscosity range:	min. 7.4 mm ² /s to max. 420 mm ² /s
Filtration:	Class 21/19/16 according to ISO 4406 or cleaner
MTTF _d :	150 - 1200 years, according to DIN EN ISO 13849-1
Installation:	No orientation restrictions
Materials:	Valve body: steel Ball: roller bearing steel Seals: NBR (standard) FKM (optional, media temperature range -20 °C to +120 °C) Back-up rings: PTFE
Cavity:	FC08-2
Weight:	0.06 kg

*see "hints and conditions for valves" in brochure 53.000

DIMENSIONS



MODEL CODE

RV08A-01 - C - N - 05

Basic model

Check valve, UNF

Body and ports*

C = cartridge only

SB3 = G3/8 ports, steel body

AB3 = G3/8 ports, aluminium body

Seals

N = NBR (standard)

V = FKM

Cracking pressure

05 = 0.35 bar (5 PSI)

15 = 1.00 bar (15 PSI)

30 = 2.00 bar (30 PSI)

70 = 5.00 bar (70 PSI)

Standard models

Model code	Part No.
RV08A-01-C-N-05	560084
RV08A-01-C-N-15	560085
RV08A-01-C-N-30	560086
RV08A-01-C-N-70	560087

* Standard in-line bodies

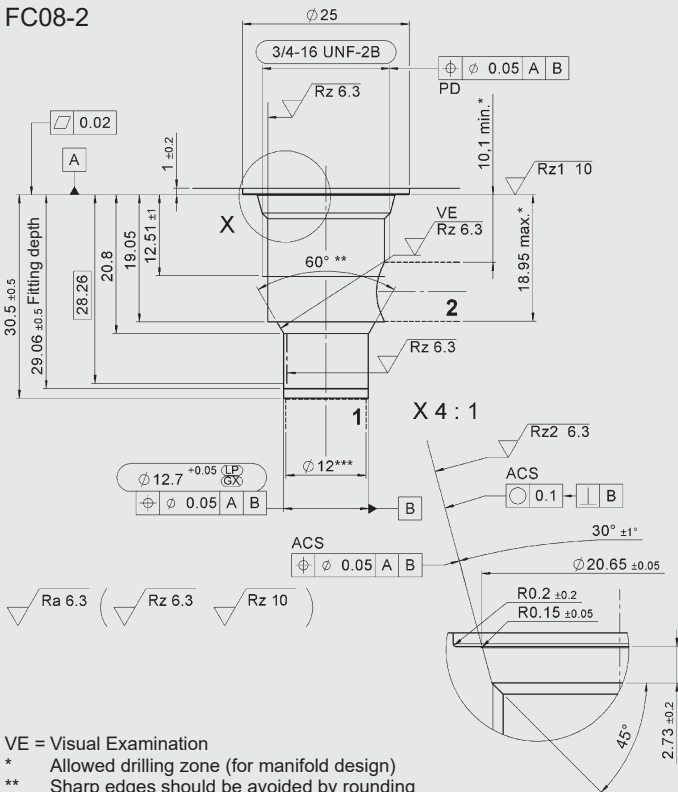
Code	Part No.	Material	Ports	Pressure
FH082-SB3	560919	Steel, zinc-plated	G3/8"	350 bar
FH082-AB3	3011423	Aluminium, anodized	G3/8"	210 bar

Seal kits

Code	Material	Part No.
FS UNF 08/N SEAL KIT	NBR	3651385
FS UNF 08/V SEAL KIT	FKM	3651356

CAVITY

FC08-2



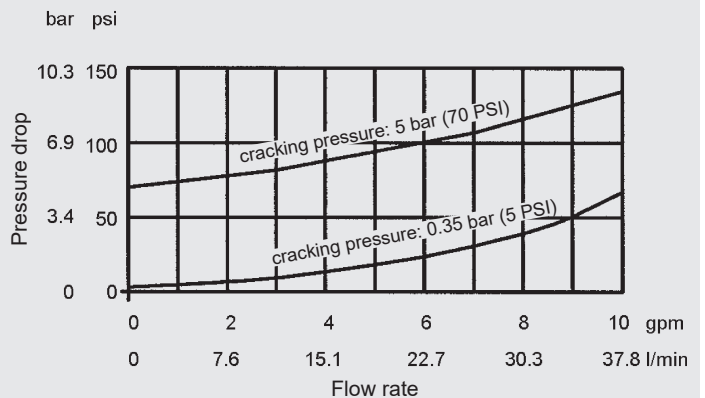
Form tools

Tool	Part No.
Countersink	175473
Reamer	175474

millimeter (inch)
 subject to technical modifications

TYPICAL PERFORMANCE

Measured at $v = 34 \text{ mm}^2/\text{s}$, $T_{\text{oil}} = 46 \text{ }^\circ\text{C}$



Note

The information in this brochure relates to the operating conditions and applications described. For applications or operating conditions not described, please contact the relevant technical department.
 Subject to technical modifications.

HYDAC Fluidtechnik GmbH

Justus-von-Liebig-Str.
D-66280 Sulzbach/Saar
 Tel: 0 68 97 /509-01
 Fax: 0 68 97 /509-598
 E-Mail: valves@hydac.com