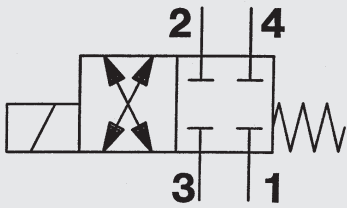


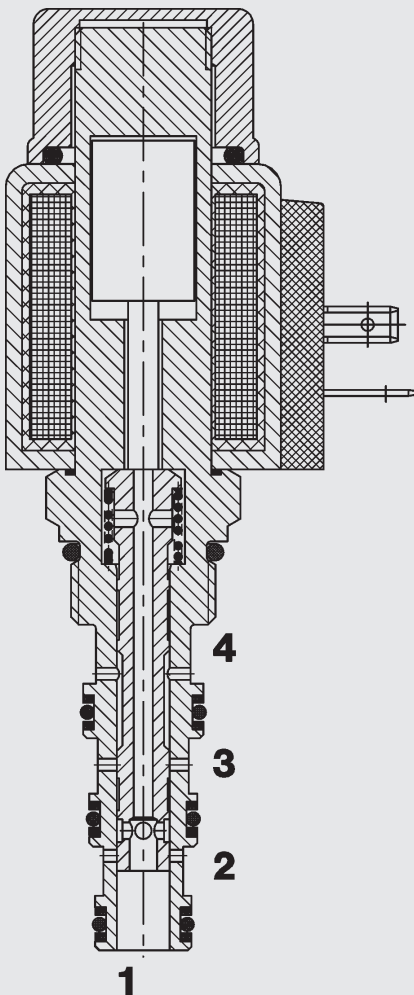
4/2 Solenoid Directional Valve **UNF** Spool Type, Direct-Acting SAE-08 Cartridge – 350 bar

WK08Z-01



19 l/min
350 bar

FUNCTION



When the solenoid coil is de-energized, all ports are closed. When the solenoid coil is energized, there is free flow through the valve from port 1 to 2 or from 2 to 1 and also from port 3 to 4 or from 4 to 3.

FEATURES

- External surfaces zinc-plated and corrosion-proof
- Hardened and ground internal valve components to ensure minimal wear and extended service life
- Coil seals protect the solenoid system
- Wide variety of connectors available
- Excellent switching performance by high power HYDAC solenoid
- Low pressure drop due to CFD optimized flow path

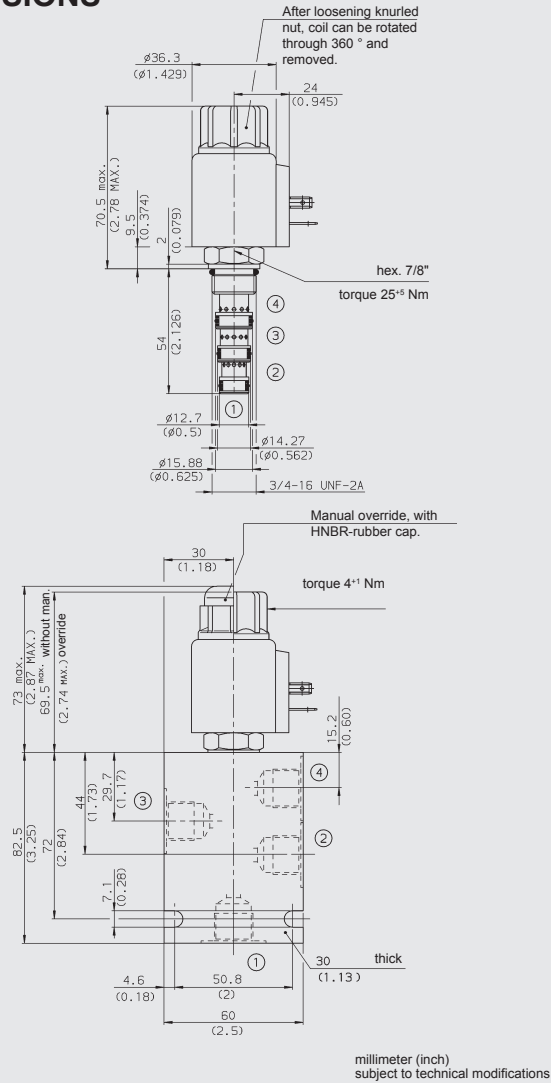
SPECIFICATIONS

Operating pressure:	max. 350 bar										
Nominal flow:	max. 19 l/min (Consult HYDAC for flow rates above 207 bar)										
Internal leakage:	90 cm ³ /min at 250 bar and 34 mm ² /s										
Media operating temperature range:	min. -20 °C to max. +100 °C										
Ambient temperature range:	min. -20 °C to max. +60 °C										
Operating fluid:	Hydraulic oil to DIN 51524 Part 1 and 2										
Viscosity range:	min. 7.4 mm ² /s to max. 420 mm ² /s										
Filtration:	Class 21/19/16 according to ISO 4406 or cleaner										
MTTF _d :	150 years (see "Conditions and instructions for valves" in brochure 5.300)										
Materials:	<table border="0"> <tr> <td>Valve body:</td> <td>free-cutting steel</td> </tr> <tr> <td>Spool:</td> <td>hardened and ground steel</td> </tr> <tr> <td>Seals:</td> <td>NBR (standard) FKM (optional, media temperature range -20 °C to +120 °C)</td> </tr> <tr> <td>Back-up rings:</td> <td>PTFE</td> </tr> <tr> <td>Coil:</td> <td>steel / polyamide</td> </tr> </table>	Valve body:	free-cutting steel	Spool:	hardened and ground steel	Seals:	NBR (standard) FKM (optional, media temperature range -20 °C to +120 °C)	Back-up rings:	PTFE	Coil:	steel / polyamide
Valve body:	free-cutting steel										
Spool:	hardened and ground steel										
Seals:	NBR (standard) FKM (optional, media temperature range -20 °C to +120 °C)										
Back-up rings:	PTFE										
Coil:	steel / polyamide										
Cavity:	FC08-4										
Weight:	<table border="0"> <tr> <td>Valve complete</td> <td>0.38 kg</td> </tr> <tr> <td>Coil only</td> <td>0.19 kg</td> </tr> </table>	Valve complete	0.38 kg	Coil only	0.19 kg						
Valve complete	0.38 kg										
Coil only	0.19 kg										

Electrical data

Type of voltage:	DC solenoid, AC voltage is rectified using a bridge rectifier built into the coil
Current draw at 20 °C:	1.5 A at 12 V DC 0.8 A at 24 V DC
Voltage tolerance:	± 15% of the nominal voltage
Coil duty rating:	Continuous up to max. 115% of the nominal voltage at 60 °C ambient temperature
Coil type:	Coil...-40-1836

DIMENSIONS



MODEL CODE

WK08Z-01 M-C-N-24 DG

Basic model _____
Directional spool valve, UNF

Type _____
01 = standard

Manual override _____
no details = without manual override
M = manual override

Body and ports* _____
C = cartridge only
SB3 = G3/8 ports, steel body
AB3 = G3/8 ports, aluminium body

Seals _____
N = NBR (standard)
V = FKM

Coil voltage _____
DC voltages
12 = 12 V DC
24 = 24 V DC

AC voltages (bridge rectifier built into the coil)
115 = 115 V AC
230 = 230 V AC
Other voltages on request

Coil connectors (type 40-1836) _____
DC: DG = DIN connector to EN 175301-803
DK = KOSTAL threaded connection M27x1
DL = 2 flying leads, 457 mm long, 0.75 mm²
DN = Deutsch connector, 2-pole, axial
DT = AMP Junior Timer, 2-pole, radial

AC: AG = DIN connector to EN 175301-803
Other connectors on request

Standard models

Code	Part No.
WK08Z-01-C-N-24DG	3022108
WK08Z-01-C-N-230AG	3044097
Other models on request	

* Standard in-line bodies

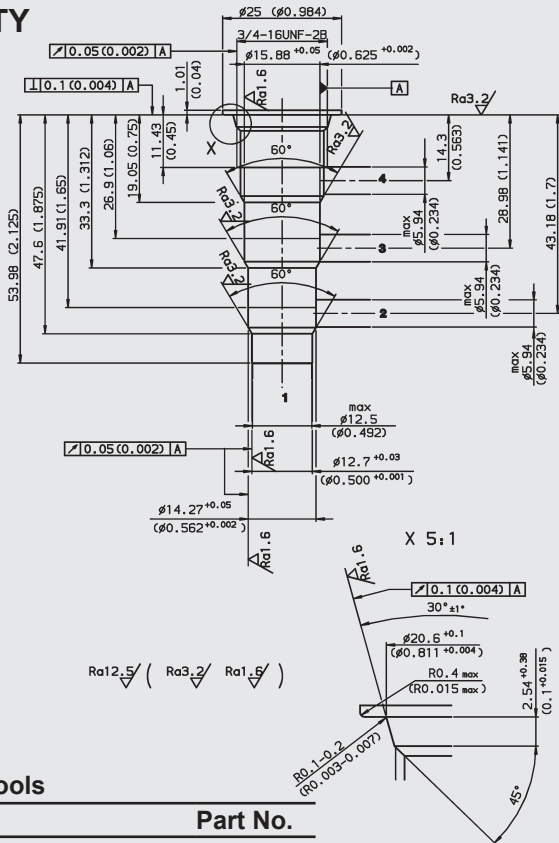
Code	Part No.	Material	Ports	Pressure
FH084-SB3	563383	Steel, zinc-plated	G3/8	420 bar
FH084-AB3	3011407	Aluminium, clear anodized	G3/8	210 bar
Other housings on request				

Seal kits

Code	Material	Part No.
FS084-N SEAL KIT	NBR	3071272
FS084-V SEAL KIT	FKM	3071273

CAVITY

FC08-4



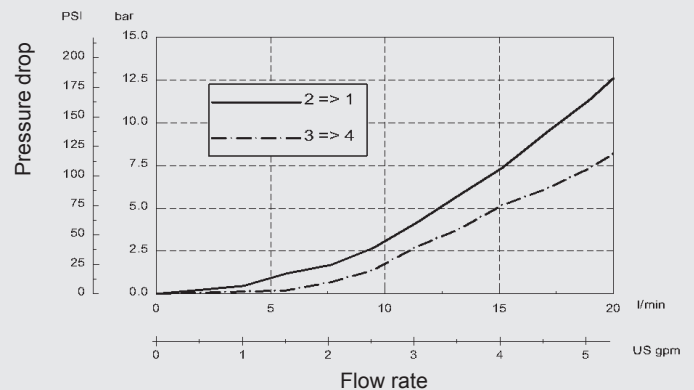
Form tools

Tool	Part No.
Countersink FC08-4	175646
Reamer FC08-4	175647

millimeter (inch) subject to technical modifications

PERFORMANCE

Measured at $v = 34 \text{ mm}^2/\text{s}$, $T_{oil} = 46 \text{ }^\circ\text{C}$



NOTE

The information in this brochure relates to the operating conditions and applications described. For applications or operating conditions not described, please contact the relevant technical department. Subject to technical modifications.

HYDAC Fluidtechnik GmbH
Justus-von-Liebig-Str.
D-66280 Sulzbach/Saar
Tel: 0 68 97 /509-01
Fax: 0 68 97 /509-598
E-Mail: flutec@hydac.com