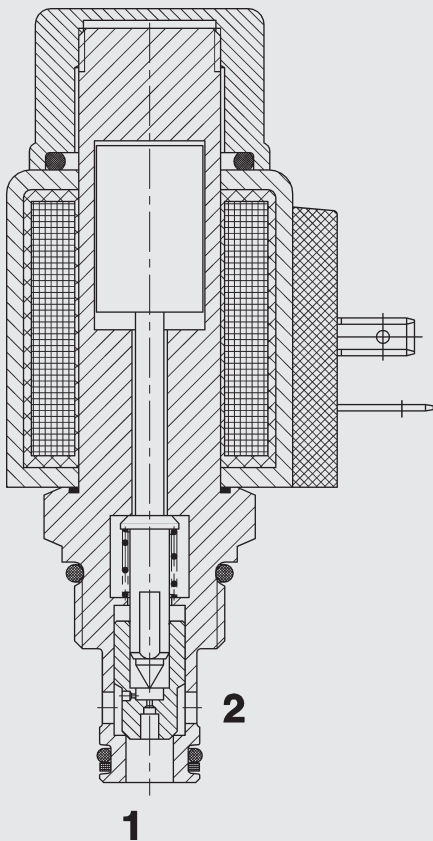


up to 38 l/min
up to 350 bar

FUNCTION



The directional valve is a pilot operated valve in poppet style. When de-energized, there is free flow through the valve from port 2 to port 1. Flow is not possible in the reverse direction. When the solenoid coil is energized, the valve is closed from port 2 to port 1. In the reverse direction from port 1 to 2 there is free flow through the valve when the hydraulic force on the piston overcomes the solenoid force (approx. 9 to 20 bar). **Please mind:** In pilot operated solenoid valves, shift performance and response times depend i.a. very much on pressure drop and volume flow during actuation.

2/2 Solenoid Directional Valve Poppet Type, Pilot Operated Normally Open UNF Cartridge – 350 bar WS08Y-01

FEATURES

- Coil seals protect the solenoid system
- Wide variety of connectors available
- Excellent switching performance by high power HYDAC solenoid
- Exposed surfaces zinc-nickel plated for increased corrosion protection (1.000 h Salt spray test)

SPECIFICATIONS*

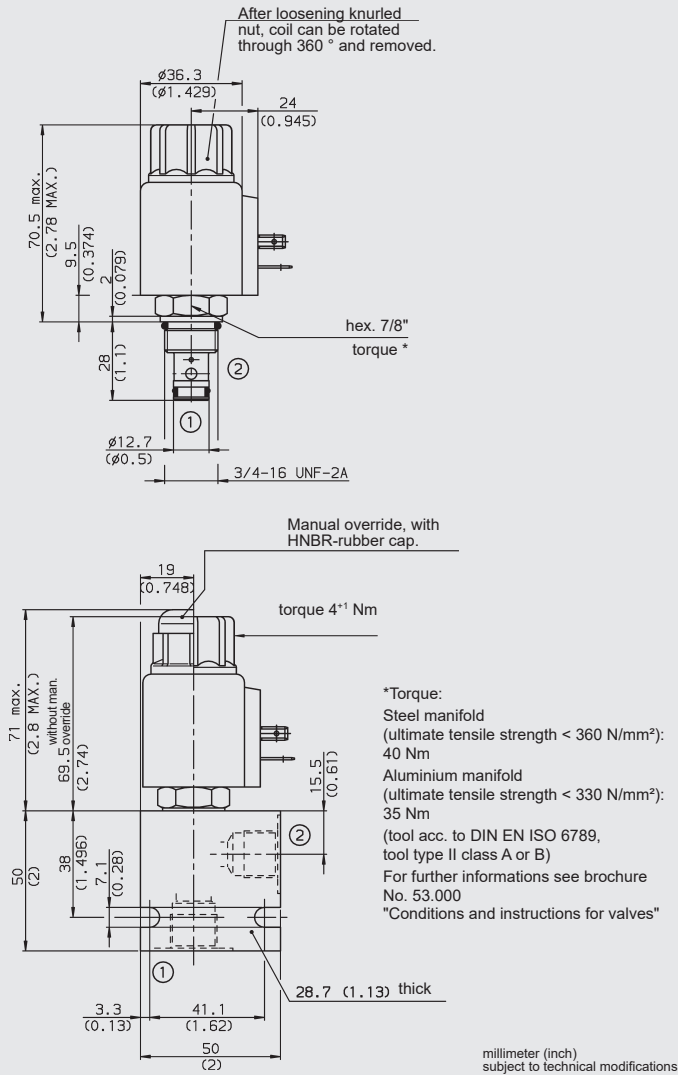
Operating pressure:	max. 350 bar
Nominal flow:	max. 38 l/min
Leakage:	Leakage-free max. 5 drops/min (0.25 cm ³ /min) at 350 bar
Media operating temperature range:	min. -20 °C to max. +100 °C
Ambient temperature range:	min. -20 °C to max. + 60 °C
Operating fluid:	Hydraulic oil to DIN 51524 Part 1, 2 and 3
Viscosity range:	min. 7.4 mm ² /s to max. 420 mm ² /s
Filtration:	Class 21/19/16 according to ISO 4406 or cleaner
MTTF _d :	150 - 1200 years, according to DIN EN ISO 13849-1
Installation:	No orientation restrictions
Materials:	Valve body: free-cutting steel Piston: hardened and ground steel Seals: NBR (standard) FKM (optional, media temperature range -20 °C to +120 °C) Back-up rings: PTFE Coil: steel / polyamide
Cavity:	FC08-2
Weight:	Valve complete: 0.33 kg Coil only: 0.19 kg

Electrical data

Response time: (at p _{max} , Q _{max} , v = 34 mm ² /s)	energized: approx. 50 ms de-energized: approx. 35 ms substantially extended response times possible at other operating conditions
Type of voltage:	DC: direct current solenoid AC: alternating current solenoid with a bridge rectifier built into the coil
Current draw at 20 °C:	1.5 A at 12 V DC 0.8 A at 24 V DC
Voltage tolerance:	± 15 % of the nominal voltage
Coil duty rating:	Continuous up to max. 115 % of the nominal voltage at 60 °C ambient temperature
Coil type:	Coil...-40-1836

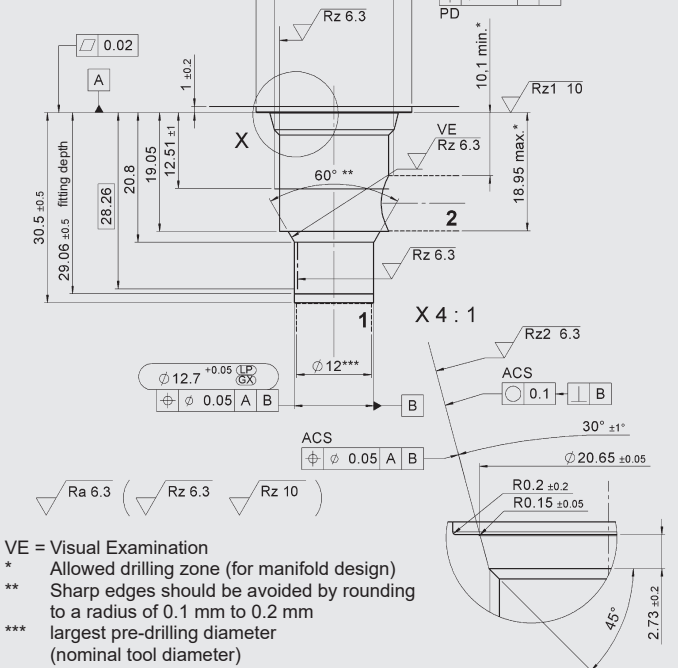
* see "Conditions and instructions for valves" in brochure 53.000

DIMENSIONS



CAVITY

FC08-2



Form tools

Tool	Part No.
Countersink	175473
Reamer	175474

millimeter (inch) subject to technical modifications

MODEL CODE

WS08Y - 01 M - C - N - 24 DG

Basic model

Directional poppet valve, UNF

Type

01 = standard

Manual override

No details = without manual override

M = manual override

Body and ports*

C = cartridge only

Seals

N = NBR (standard)

V = FKM

Coil voltage

DC voltages

12 = 12 V DC,

24 = 24 V DC

AC voltages (bridge rectifier built into the coil)

115 = 115 V AC

230 = 230 V AC

Other voltages on request

Coil connectors (type 40-1836)

DC: DG = DIN connector type A to EN 175301-803

DK = KOSTAL threaded connection M27x1

DL = 2 flying leads, 457 mm long, 0.75 mm²

DN = Deutsch connector, 2-pole, axial

DT = AMP Junior type A Timer, 2-pole, radial

AC: AG = DIN connector to EN 175301-803

Other connectors on request

Standard models

Model Code	Part No.
WS08Y-01-C-N-24DG	563048
WS08Y-01-C-N-230AG	3043372

Other models on request

*Standard in-line bodies

Code	Part No.	Material	Ports	Pressure
FH082-SB3	560919	Steel, zinc-plated	G3/8"	350 bar
FH082-AB3	3011423	Aluminium, clear anodized	G3/8"	210 bar

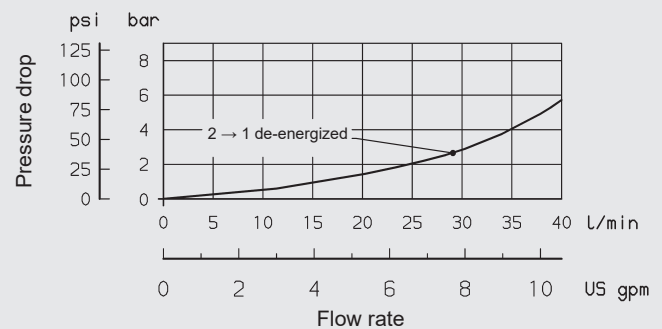
Other line bodies on request

Seal kits

Code	Material	Part No.
FS UNF 08/N	NBR	3651385
FS UNF 08/V	FKM	3651356

TYPICAL PERFORMANCE

Measured at $v = 34 \text{ mm}^2/\text{s}$, $T_{\text{oil}} = 46^\circ \text{C}$



NOTE

The information in this brochure relates to the operating conditions and applications described. For applications or operating conditions not described, please contact the relevant technical department. Subject to technical modifications.

HYDAC Fluidtechnik GmbH

Justus-von-Liebig-Str.

D-66280 Sulzbach/Saar

Tel: 0 68 97 /509-01

Fax: 0 68 97 /509-598

E-Mail: valves@hydac.com