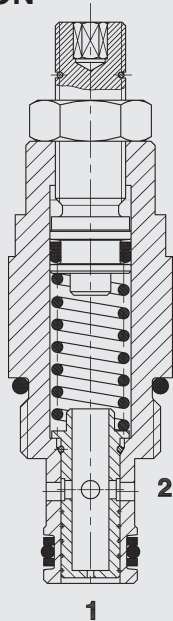


30 l/min
350 bar

FUNCTION



The SR08 is a 2-way flow regulator which maintains a constant flow rate by means of a control function. The flow rate is largely independent of the pressure and viscosity. The valve has a fixed orifice with pressure compensator spool. The measuring orifice determines the setting range for the flow rate and can be adjusted within a limited range. If oil flows from port 1 to 2, a pressure drop occurs at the measuring orifice. The pressure compensator moves into the control position which corresponds to the force equilibrium. This is created by the pressure drop acting on the control spool area overcoming the spring force. As the flow rate increases (increasing pressure drop), the diameter of the control orifice is reduced until the forces are equal again. A constant flow rate is therefore achieved. In the reverse direction there is free flow through the valve. Important: if the required control pressure differential is not reached, the valve operates as a needle valve.

2-Way Flow Regulator, Pressure Compensated, Restrictive Style SAE-8 Cartridge – 350 bar SR08-01

FEATURES

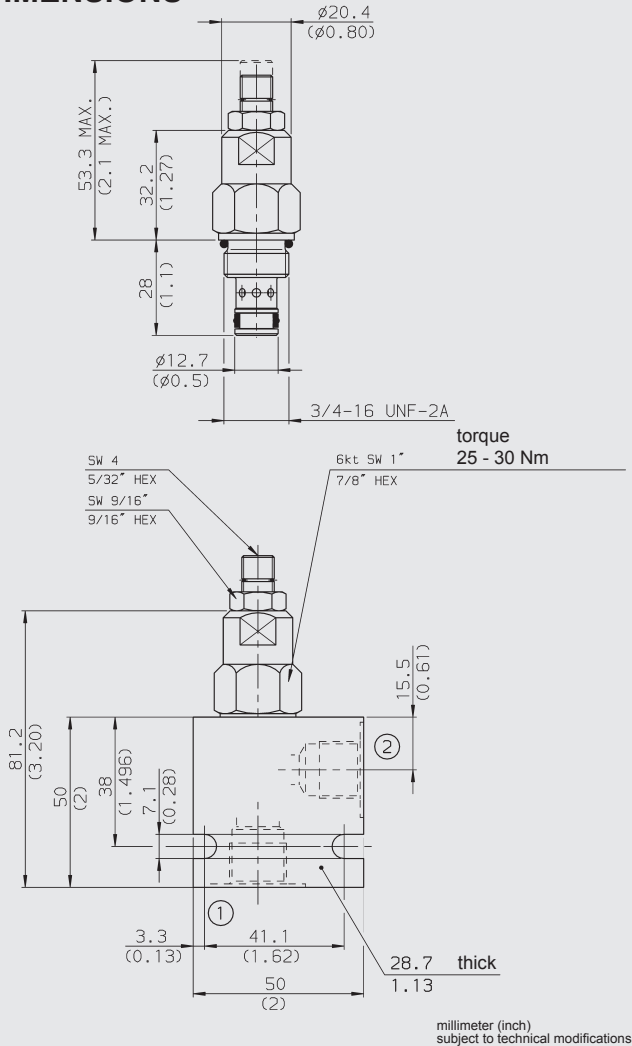
- Excellent stability throughout the entire flow range
- Hardened and ground internal valve components to ensure minimal wear and extended service life
- Optional flow ranges up to 30 l/min
- Flow rate can be adjusted within a limited range
- External surfaces zinc-nickel plated for increased corrosion protection (1.000 h salt spray test)

SPECIFICATIONS*

Operating pressure:	max. 350 bar
Nominal flow:	max. 30 l/min
Flow ranges:	0.95 to 1.50 l/min 1.15 to 2.00 l/min 2.00 to 3.60 l/min 3.30 to 6.30 l/min 5.40 to 9.70 l/min 8.80 to 16.70 l/min 14.00 to 27.00 l/min
Media operating temperature range:	min. -30 °C to max. +100 °C
Ambient temperature range:	min. -30 °C to max. +100 °C
Operating fluid:	Hydraulic oil to DIN 51524 Part 1,2 and 3
Viscosity range:	min. 7.4 mm ² /s to max. 420 mm ² /s
Filtration:	Class 21/19/16 according to ISO 4406 or cleaner
MTTF _d :	150 years
Materials:	Valve body: free-cutting steel Piston: hardened and ground steel Seals: NBR (standard) FKM (optional, media temperature range -20 °C to +120 °C)
Cavity:	FC08-2
Weight:	0.113 kg

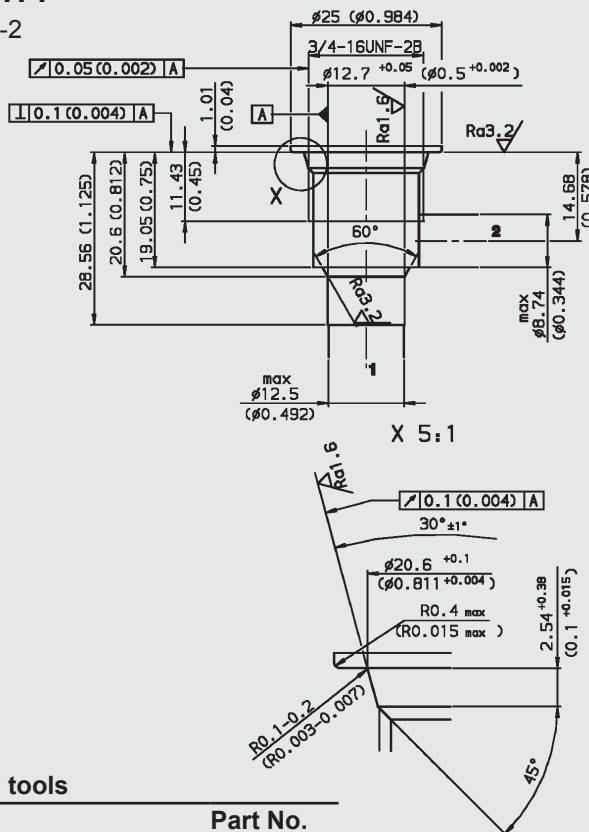
* see "Conditions and instructions for valves" in brochure 53.000

DIMENSIONS



CAVITY

FC08-2



Form tools

Tool	Part No.
Countersink FC08-2	175473
Reamer FC08-2	175474

MODEL CODE

SR08-01 - C - N - 1.0 V 1.8

Basic model

Flow regulator UNF

Body and ports*

C = cartridge only

SB3 = G3/8 ports, steel body

AB3 = G3/8 ports, aluminium body

Seals

N = NBR

V = FKM

Flow rate code and flow range

0.5: 0.95 to 1.50 l/min

0.6: 1.15 to 2.00 l/min

1.0: 2.00 to 3.60 l/min

1.8: 3.30 to 6.30 l/min

2.8: 5.40 to 9.70 l/min

4.8: 8.80 to 16.70 l/min

7.9: 14.00 to 27.00 l/min

Type of adjustment

V = Allen head (hex. 5/32")

H = knob adjustment

A = adjustable, with locking E10, cyl. lock 2H

Other adjustment types on request

Setting

No details = set to lowest value of flow range

1.8 = 3.3 l/min as per customer requirement, on request

Standard models

Model code	Part No.
SR08-01-C-N-0.5V	3009246
SR08-01-C-N-1.0V	3015411
SR08-01-C-N-1.8V	3015412
SR08-01-C-N-4.8V	3015474
SR08-01-C-N-7.9V	3015475

*Standard in-line bodies

Code	Part No.	Material	Ports	Pressure
FH082-SB3	560919	Steel, zinc-plated	G3/8	420 bar
FH082-AB3	3011423	Aluminium, clear anodized	G3/8	210 bar

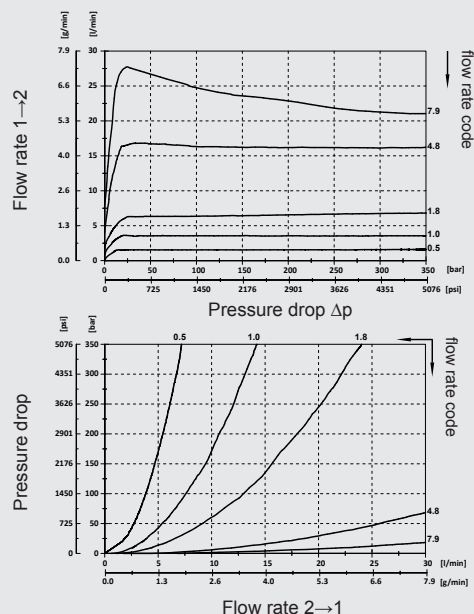
Other housings on request

Seal kits

Code	Material	Part No.
FS UNF 08/N	NBR	3651385
FS UNF 08/V	FKM	3651356

PERFORMANCE

Measured at $v = 34$ mm²/s, $T_{oil} = 46$ °C



NOTE

The information in this brochure relates to the operating conditions and applications described.

For applications or operating conditions not described, please contact the relevant technical department.

Subject to technical modifications.

HYDAC Fluidtechnik GmbH

Justus-von-Liebig-Str.

D-66280 Sulzbach/Saar

Tel: 0 68 97 /509-01

Fax: 0 68 97 /509-598

E-Mail: flutec@hydac.com