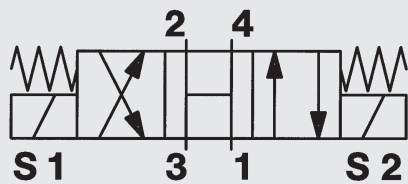


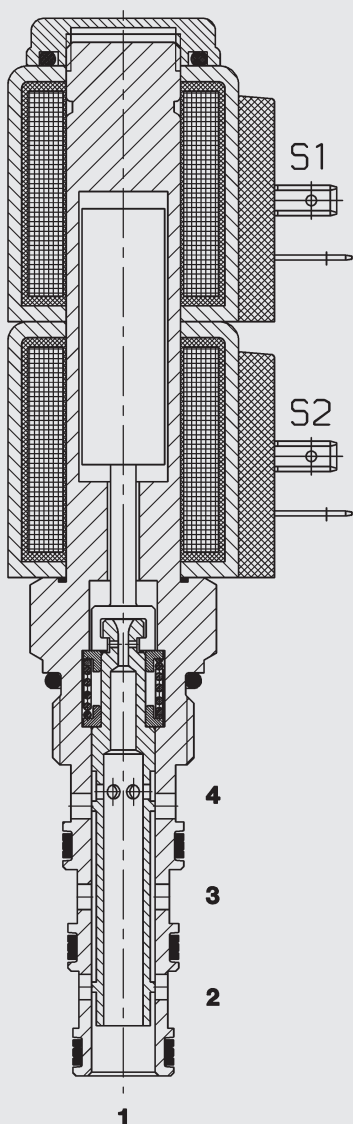
4/3 Solenoid Directional Valve **UNF** Spool Type, Direct-Acting SAE-10 Cartridge – 350 bar

WK10H-01



23 l/min
350 bar

FUNCTION



When de-energized, there is free flow through the valve from ports 2 and 4 to ports 3 and 1. When the solenoid coil S1 is energized, there is free flow through the valve from port 3 to port 4 and from port 2 to port 1. When solenoid coil S2 is energized, there is free flow through the valve from port 3 to 2 and from port 4 to 1.

FEATURES

- External surfaces zinc-nickel-plated and corrosion-proof
- Hardened and ground internal valve components to ensure minimal wear and extended service life
- Coil seals protect the solenoid system
- Wide variety of connectors available
- Excellent switching performance by high power HYDAC solenoid
- Low pressure drop due to CFD optimized flow path

SPECIFICATIONS*

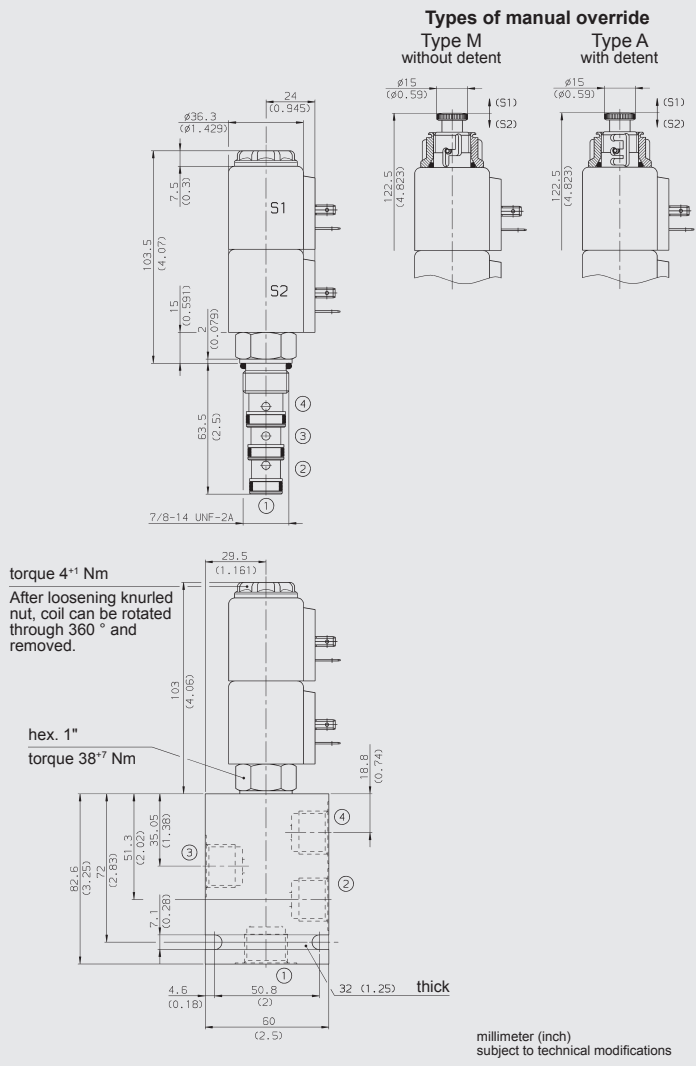
Operating pressure:	350 bar
Nominal flow:	23 l/min
Leakage:	max. 160 cm ³ /min at 207 bar and 34 mm ² /s
Media operating temperature range:	min. -20 °C to max. +100 °C
Ambient temperature range:	min. -20 °C to max. +60 °C
Operating fluid:	Hydraulic oil to DIN 51524 Part 1 and 2
Viscosity range:	min. 7.4 to max. 420 mm ² /s
Filtration:	Class 19/17/14 to ISO 4406 or cleaner
MTTF _d :	150 years
Installation:	No orientation restrictions
Material:	Valve body: Steel Spool: hardened and ground steel Seals: NBR (standard) FKM (optional, media temperature range -20 °C to +120 °C) Back-up rings: PTFE Coil: Steel / Polyamide
Cavity:	FC10-4
Weight:	Valve complete: 0.67 kg Coil only: 0.19 kg

Electrical data:

Type of voltage:	DC solenoid, AC voltage is rectified using a bridge rectifier built into the coil
Current draw at 20 °C:	1.5 A at 12 V DC 0.8 A at 24 V DC
Voltage tolerance:	± 15 % of nominal voltage
Coil duty rating:	Continuous up to max. 115% of nominal voltage at max. 60° C ambient temperature
Coil type:	Coil...-40-1836 (2 pieces)

* see "Conditions and instructions for valves" in brochure 53.000

DIMENSIONS



MODEL CODE

WK10H - 01 M - C - N - 24 DG

Basic model
Directional spool valve, UNF

Type
01 = standard

Manual override
No details = without manual override
M = manual override, without detent
A = manual override, with detent

Body and ports*
C = cartridge only
SB4 = G1/2 ports, steel body
AB4 = G1/2 ports, aluminium body

Seals
N = NBR (standard)
V = FKM

Coil voltage
DC voltages
12 = 12 V DC
24 = 24 V DC

AC voltages (bridge rectifier built into the coil)
115 = 115 V AC
230 = 230 V AC

Other voltages on request

Coil connectors (type 40-1836)
DC: DG = DIN connector to EN 175301-803
DK = KOSTAL threaded connection M27x1
DL = 2 flying leads, 457 mm long, 0.75 mm²
DN = Deutsch connector, 2-pole, axial
DT = AMP Junior Timer, 2-pole, radial
AC: AG = DIN connector to EN 175301-803

Other connectors on request

Standard models

Model code	Part No.
WK10H-01-C-N-12DG	3044518
WK10H-01-C-N-24DG	3038914
WK10H-01-C-N-230AG	3044526

Other models on request

*Standard in-line bodies

Code	Part No.	Material	Ports	Pressure
FH104-SB4	3037784	Steel, zinc-plated	G1/2	420 bar
FH104-AB4	3038097	Aluminium, anodized	G1/2	210 bar

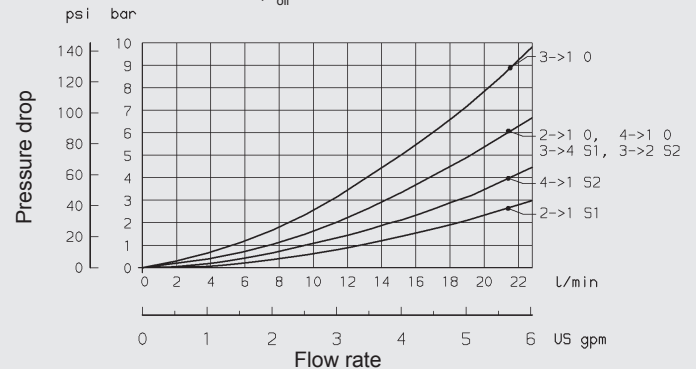
Other line bodies on request

Seal kits

Code	Material	Part No.
FS UNF 10/N	NBR	3651557
FS UNF 10/V	FKM	3651559

PERFORMANCE

Measured at $v = 34 \text{ mm}^2/\text{s}$, $T_{\text{oil}} = 46^\circ \text{C}$



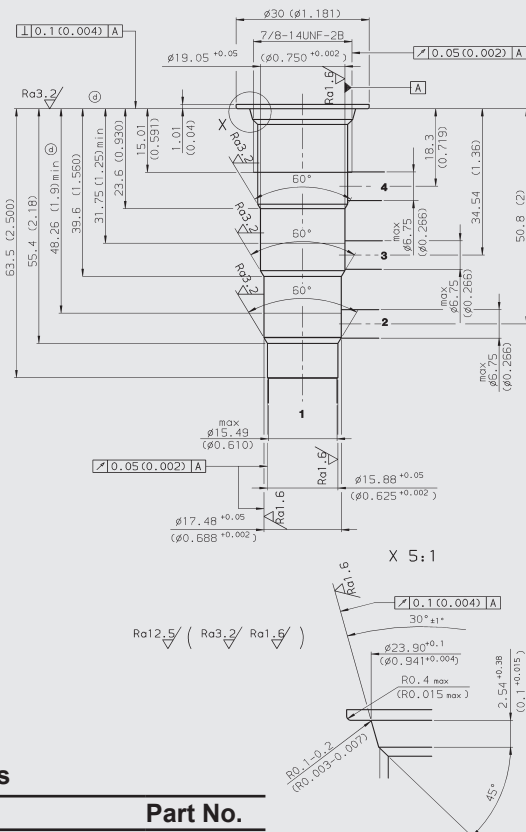
Note

The information in this brochure relates to the operating conditions and applications described. For applications or operating conditions not described, please contact the relevant technical department.
Subject to technical modifications.

HYDAC Fluidtechnik GmbH
Justus-von-Liebig-Str.
D-66280 Sulzbach/Saar
Tel: 0 68 97 /509-01
Fax: 0 68 97 /509-598
E-Mail: flutec@hydac.com

CAVITY

FC10-4



Form tools

Tool	Part No.
Countersink FC10-4	176174
Reamer FC10-4	176175

millimeter (inch)
subject to technical modifications