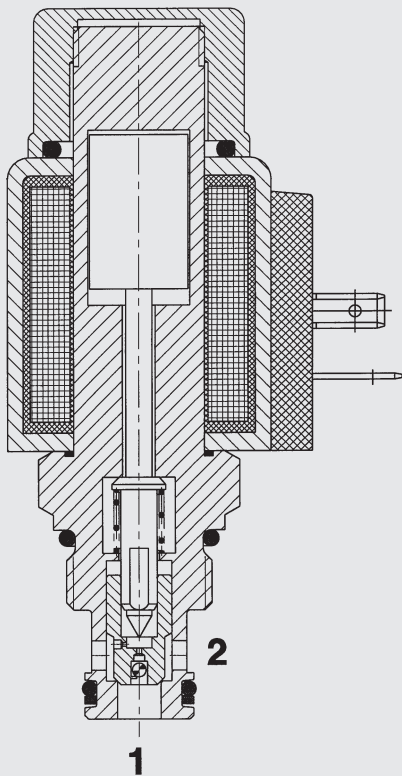


Up to 40 l/min
Up to 350 bar

FUNCTION



When the solenoid coil is de-energized, the valve is open in both directions.

When the solenoid coil is energized, the valve is closed from port 2 to port 1.

In the reverse direction there is free flow through the valve when the hydraulic force on the piston exceeds the solenoid force (approx. 9 to 20 bar).

2/2 Solenoid Directional Valve Poppet Type, Pilot Operated Normally Open (Reverse Flow) Metric Cartridge - 350 bar

WSM06020YR-01

FEATURES

- Excellent switching performance by high power HYDAC solenoid
- Hardened and ground internal valve components to ensure minimal wear and extended service life
- External surfaces zinc-plated and corrosion-proof
- Coil seals protect the solenoid system
- Wide variety of connectors available
- Low pressure drop due to CFD optimized flow path

SPECIFICATIONS

Operating pressure:	max. 350 bar	
Nominal flow:	max. 40 l/min	
Internal leakage:	Leakage-free (max. 5 drops \approx 0,25 cm ³ /min at 350 bar)	
Media operating temperature range:	min. -20 °C to max. +100 °C	
Ambient temperature range:	min. -20 °C to max. +60 °C	
Operating fluid:	Hydraulic oil to DIN 51524 Part 1 and 2	
Viscosity range:	min. 10 mm ² /s to max. 420 mm ² /s	
Filtration:	Class 21/19/16 according to ISO 4406 or cleaner	
MTTF _d :	150 years (see "Conditions and instructions for valves" in brochure 5.300)	
Installation:	No orientation restrictions	
Materials:	Valve body:	free-cutting steel
	Poppet:	hardened and ground steel
Seals:	NBR (standard) FKM (optional, media temperature range -20 °C to +120 °C)	
	Back-up rings:	PTFE
Coil:	steel / polyamide	
Cavity:	06020	
Weight:	Valve complete	0.33 kg
	Coil only	0.19 kg

Electrical data:

Type of voltage:	DC solenoid, AC voltage is rectified using a bridge rectifier built into the coil	
Current draw at 20 °C:	1.5 A at 12 V DC	
	0.8 A at 24 V DC	
Voltage tolerance:	\pm 15% of the nominal voltage	
Coil duty rating:	Continuous up to	
	max. 115% of the nominal voltage at 60 °C ambient temperature	
Response time:	energized:	approx. 50 ms
	de-energized:	approx. 35 ms
Coil type:	Coil...-40-1836	

