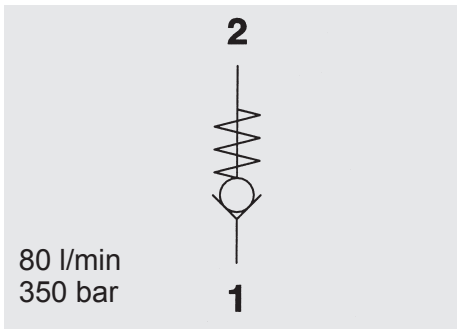
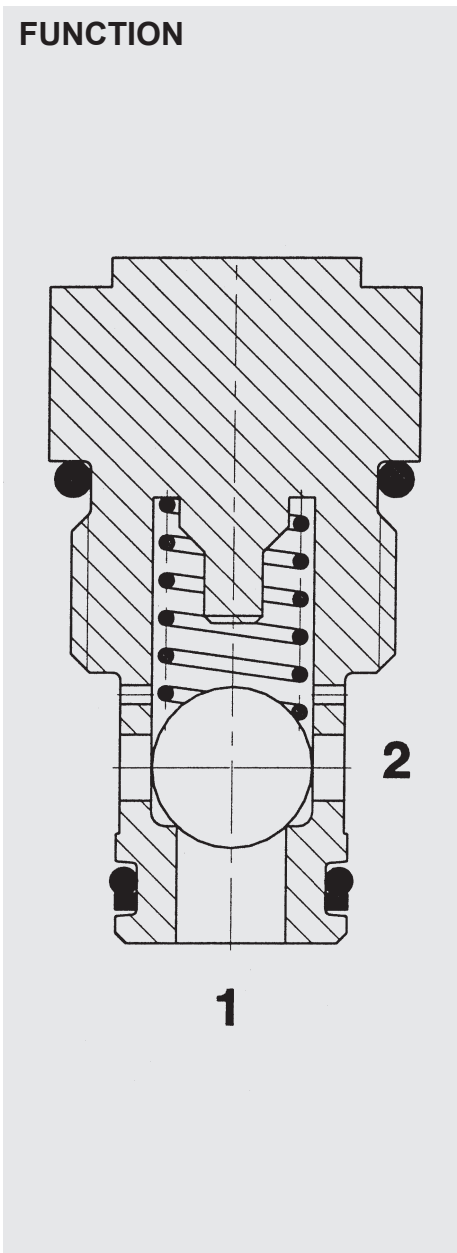


## Check Valve Ball Poppet Type Direct Acting SAE-10 Cartridge – 350 bar RV10A-01



### FUNCTION



The check valve RV10A is a direct-acting, spring-loaded poppet valve. When there is no flow through the valve, the spring holds the ball in the closed position and therefore shuts off port 2 from port 1. The valve opens when the pressure at port 1 is higher than the pressure at port 2, including the pressure created by the spring force.

### FEATURES

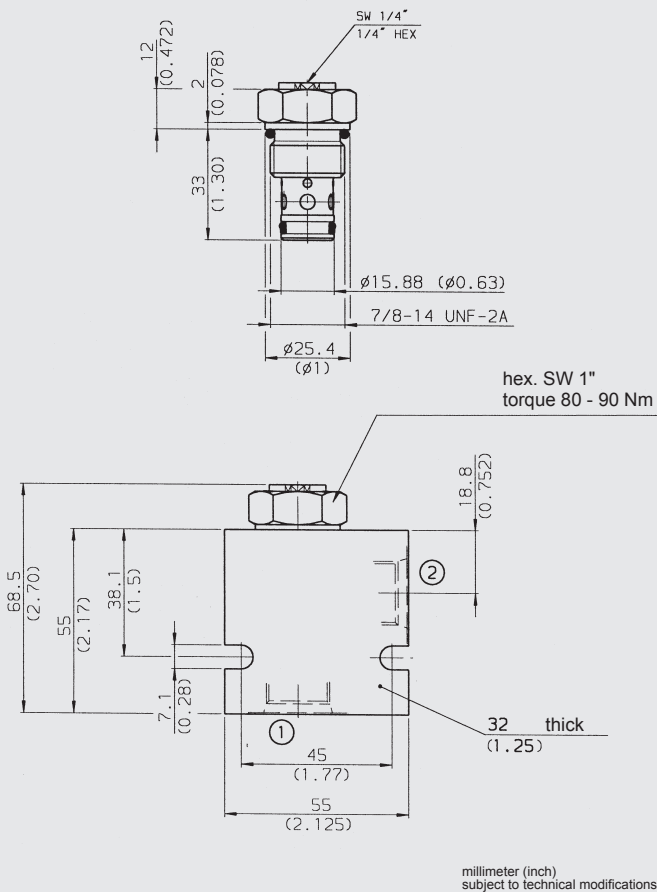
- External surfaces zinc-plated and corrosion-proof
- Hardened closing element
- Low leakage design
- Compact design

### SPECIFICATIONS

Operating pressure:	max. 350 bar
Nominal flow:	max. 80 l/min
Internal leakage:	max. 0.1 cm <sup>3</sup> /min at 350 bar
Cracking pressure:	0.35 bar 1.00 bar 2.00 bar 5.00 bar
Media operating temperature range:	min. -30 °C to max. +100 °C
Ambient temperature range:	min. -30 °C to max. +100 °C
Operating fluid:	Hydraulic oil to DIN 51524 Part 1 and 2
Viscosity range:	min. 7.4 mm <sup>2</sup> /s to max. 420 mm <sup>2</sup> /s
Filtration:	Class 21/19/16 according to ISO 4406 or cleaner
MTTF <sub>d</sub> :	150 years*
Installation:	No orientation restrictions
Materials:	Valve body: free-cutting steel Ball poppet: hardened and ground steel Seals: NBR (standard) FKM (optional, media temperature range -20 °C to +120 °C)
Cavity:	FC10-2
Weight:	0.1 kg

\* see "Conditions and instructions for valves" in brochure 5.300

## DIMENSIONS



## MODEL CODE

**RV10A-01 - C - N - 05**

### Basic model

Check valve UNF

### Body and ports\*

C = cartridge only

SB4 = G1/2 ports, steel body

AB4 = G1/2 ports, aluminium body

### Seals

N = NBR (standard)

V = FKM

### Cracking pressure

05 = 0.35 bar ( 5 PSI)

15 = 1.00 bar (15 PSI)

30 = 2.00 bar (30 PSI)

70 = 5.00 bar (70 PSI)

## Standard models

Model code	Part No.
RV10A-01-C-N-05	3014052
RV10A-01-C-N-15	3014103
RV10A-01-C-N-30	3014104
RV10A-01-C-N-70	3014105

## \*Standard in-line bodies

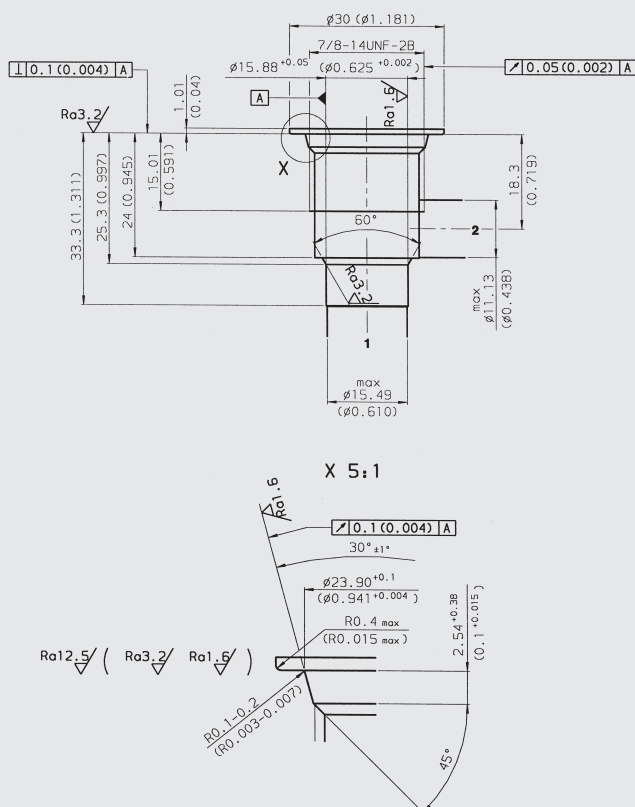
Code	Part No.	Material	Ports	Pressure
FH102-SB4	3037594	Steel, zinc-plated	G1/2	420 bar
FH102-AB4	3037777	Aluminium, anodized	G1/2	210 bar

## Seal kits

Code	Material	Part No.
FH102-N Seal kit	NBR	3033872
FH102-V Seal kit	FKM	3051757

## CAVITY

### FC10-2



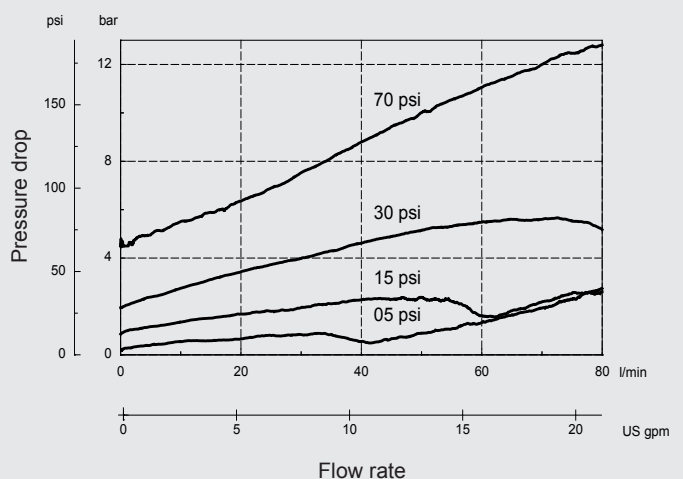
### Form tools

Tool	Part No.
Countersink FC10-2	176379
Reamer FC10-2	165706

millimeter (inch)  
subject to technical modifications

## PERFORMANCE

Measured at  $v = 34 \text{ mm}^2/\text{s}$ ,  $T_{\text{oil}} = 46 \text{ }^\circ\text{C}$



## Note

The information in this brochure relates to the operating conditions and applications described. For applications or operating conditions not described, please contact the relevant technical department.  
Subject to technical modifications.

## HYDAC Fluidtechnik GmbH

Justus-von-Liebig-Str.  
D-66280 Sulzbach/Saar  
Tel: 0 68 97 /509-01  
Fax: 0 68 97 /509-598  
E-Mail: flutec@hydac.com