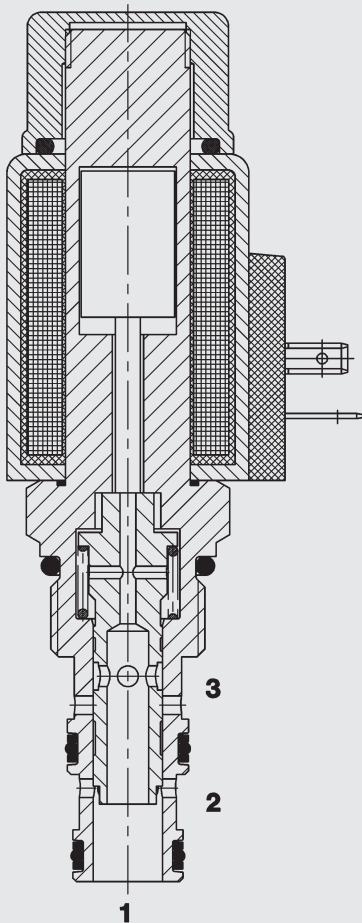


32 l/min
350 bar

FUNCTION



When the solenoid coil is de-energized, the valve allows flow from port 1 to 2 or from port 2 to 1, while blocking flow at port 3. When energized, the valve allows flow from port 3 to 1 or from port 1 to 3, while blocking flow at port 2.

3/2 Solenoid Directional Valve **UNF** Spool Type, Direct-Acting SAE-10 Cartridge – 350 bar WK10L-01

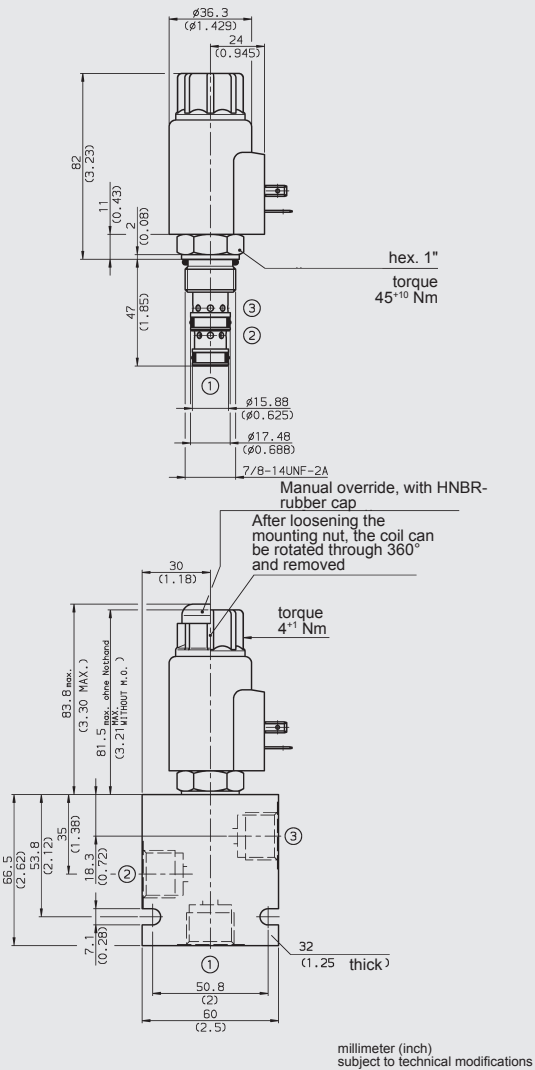
FEATURES

- External surfaces zinc-plated and corrosion-proof
- Hardened and ground internal valve components to ensure minimal wear and extended service life
- Coil seals protect the solenoid system
- Wide variety of connectors available
- Excellent switching performance by high power HYDAC solenoid
- Low pressure drop due to CFD optimized flow path

SPECIFICATIONS

Operating pressure:	max. 350 bar	
Nominal flow:	max. 32 l/min	
Internal leakage:	max. 140 cm ³ /min at 250 bar and 34 mm ² /s	
Media operating temperature range:	min. -20 °C to max. +100 °C	
Ambient temperature range:	min. -20 °C to max. +60 °C	
Operating fluid:	Hydraulic oil to DIN 51524 Part 1 and 2	
Viscosity:	min. 7.4 mm ² /s to max. 420 mm ² /s	
Filtration:	Class 21/19/16 according to ISO 4406 or cleaner	
MTTF _d :	150 years (see "Conditions and instructions for valves" in brochure 5.300)	
Installation:	No orientation restrictions	
Materials:	Valve body:	free-cutting steel
	Spool:	hardened and ground steel
	Seals:	NBR (standard) FKM (optional, media temperature range -20 °C to +120 °C)
	Back-up rings:	PTFE
	Coil:	steel / polyamide
Cavity:	FC10-3	
Weight:	Valve complete	0.47 kg
	Coil only	0.23 kg
Electrical data:		
Type of voltage:	DC solenoid, AC voltage is rectified using a bridge rectifier built into the coil	
Current draw at 20 °C:	2.22 A at 12 V DC 1.13 A at 24 V DC	
Voltage tolerance:	± 15% of the nominal voltage	
Coil duty rating:	Continuous up to max. 115% of the nominal voltage at 60 °C ambient temperature	
Coil type:	Coil...-50-1836 (2 pieces)	

DIMENSIONS



MODEL CODE

WK10L - 01 M - C - N - 24 DG

Basic model _____
 Directional spool valve, UNF
Type _____
 01 = Standard
Manual override _____
 no details = without manual override
 M = manual override
Body and ports* _____
 C = cartridge only
 SB4 = G1/2 ports, steel body
 AB4 = G1/2 ports, aluminium body
Seals _____
 N = NBR (standard)
 V = FKM
Coil voltage _____
DC voltages
 12 = 12 V DC
 24 = 24 V DC
AC voltages (bridge rectifier built into the coil)
 115 = 115 V AC
 230 = 230 V AC
 Other voltages on request
Coil connectors (type 50-1836) _____
 DC: DG = DIN connector to EN 175301-803
 DK = KOSTAL threaded connection M27x1
 DL = 2 flying leads, 457 mm long, 0.75 mm²
 DN = Deutsch connector, 2-pole, axial
 DT = AMP Junior Timer, 2-pole, radial
 AC: AG = DIN connector to EN 175301-803
 Other connectors on request

Standard models

Model code	Part No.
WK10L-01-C-N-24DG	3096315
WK10L-01-C-N-230AG	3096316

Other models on request

*Standard in-line bodies

Code	Part No.	Material	Ports	Pressure
FH103-SB4	3037697	Steel, zinc-plated	G1/2	420 bar
FH103-AB4	3038092	Aluminium, clear anodized	G1/2	210 bar

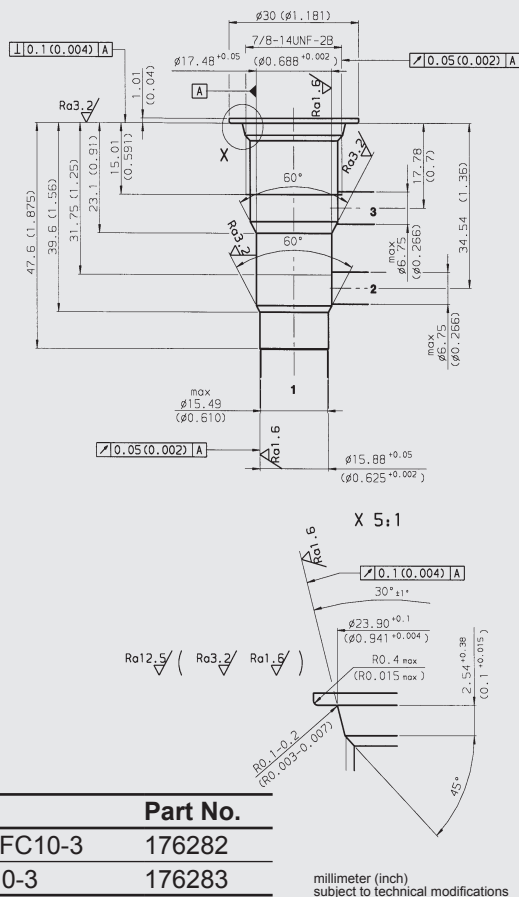
Other line bodies on request

Seal kits

Code	Material	Part No.
FS103-N SEAL KIT	NBR	3071274
FS103-V SEAL KIT	FKM	3049443

CAVITY

FC10-3

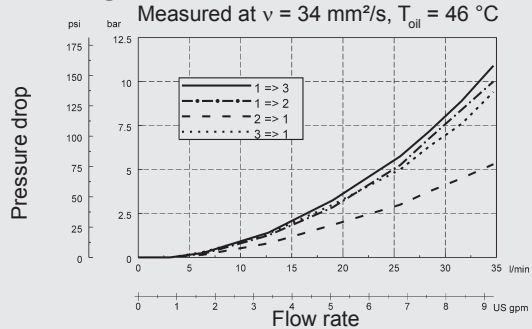


Form tools

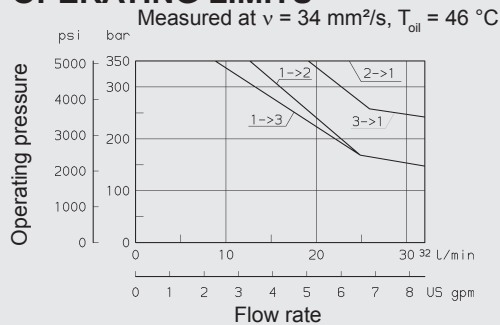
Tool	Part No.
Countersink FC10-3	176282
Reamer FC10-3	176283

millimeter (inch)
subject to technical modifications

PERFORMANCE



OPERATING LIMITS



NOTE

The information in this brochure relates to the operating conditions and applications described. For applications or operating conditions not described, please contact the relevant technical department.
Subject to technical modifications.

HYDAC Fluidtechnik GmbH

Justus-von-Liebig-Str.
D-66280 Sulzbach/Saar
 Tel: 0 68 97 /509-01
 Fax: 0 68 97 /509-598
 E-Mail: flutec@hydac.com