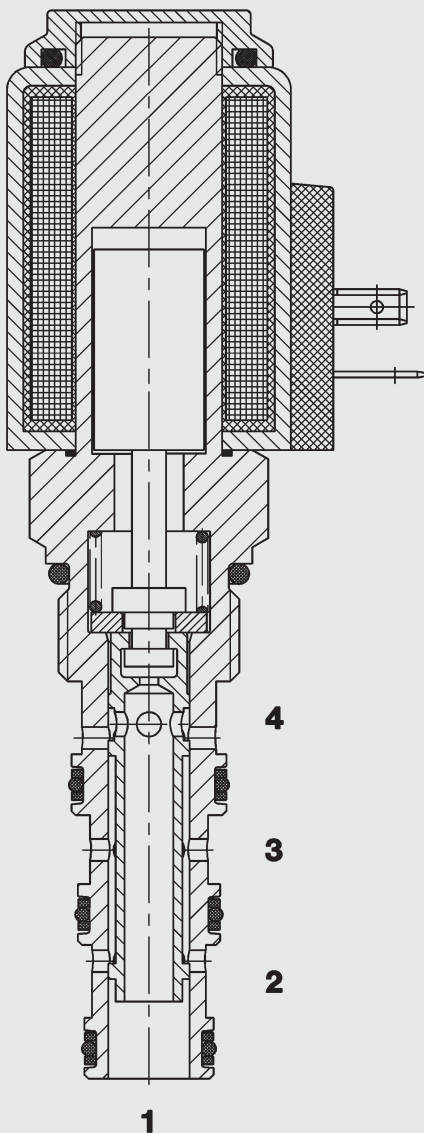


up to 32 l/min
up to 350 bar

FUNCTION



When the solenoid coil is de-energised, the valve allows flow in both directions between ports 3 and 2 and in both directions between ports 4 and 1. When the solenoid coil is energized, there is free flow through the valve in both directions between ports 3 and 4 and also between ports 1 and 2.

4/2 Solenoid Directional Valve Spool Type, Direct-Acting UNF Cartridge – 350 bar WK10X-01

FEATURES

- Coil seals protect the solenoid system
- Wide variety of connections available
- Excellent switching performance by high power HYDAC solenoid
- Exposed surfaces zinc-nickel plated for increased corrosion protection (1.000 h Salt spray test)

SPECIFICATIONS*

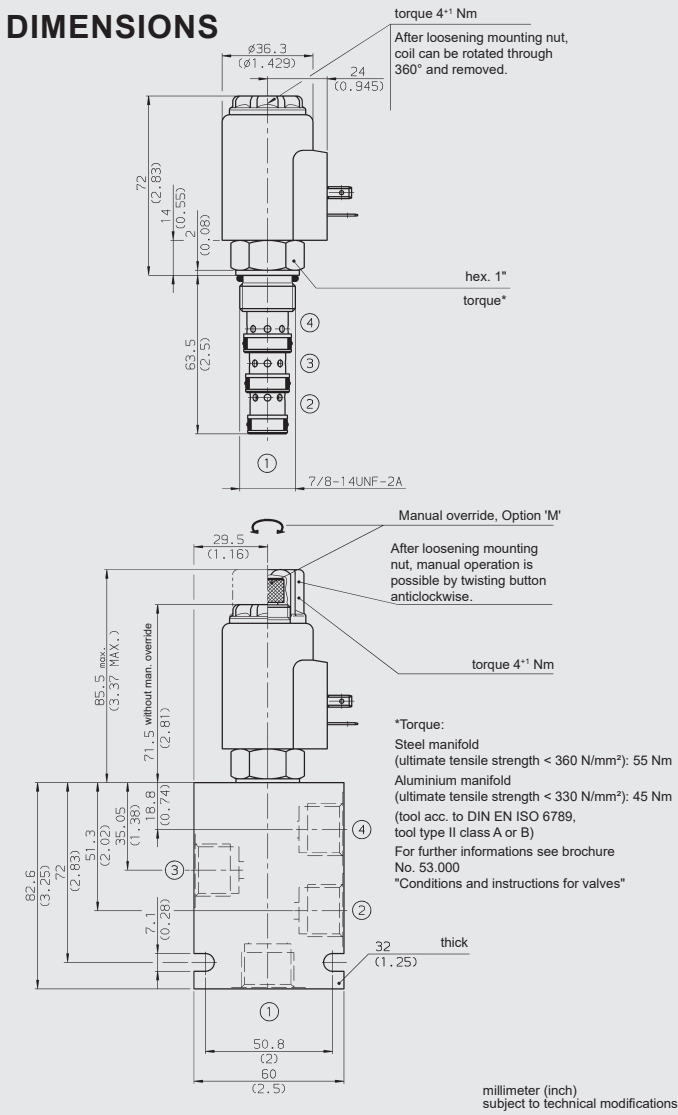
Operating pressure:	max. 350 bar
Nominal flow:	max. 32 l/min
Internal leakage:	max. 400 ml/min at 250 bar and 34 mm ² /s
Media operating temperature range:	min. -20 °C to max. +100 °C
Ambient temperature range:	min. -20 °C to max. + 60 °C
Operating fluid:	Hydraulic oil to DIN 51524 Part 1, 2 and 3
Viscosity range:	min. 7.4 mm ² /s to max. 420 mm ² /s
Filtration:	Class 20/18/15 according to ISO 4406 or cleaner
Installation:	No orientation restrictions
MTTF _d :	150 - 1200 years, according to DIN EN ISO 13849-1
Materials:	Valve body: steel
	Spool: hardened and ground steel
	Seals: NBR (standard) FKM (optional, media temperature range -20 °C to +120 °C)
	Back-up rings: PTFE
	Coil: Steel / Polyamide
Cavity:	FC10-4
Weight:	Valve complete: 0.48 kg
	Coil only: 0.23 kg

Electrical data

Current draw at 20 °C:	2.22 A at 12 V DC
	1.13 A at 24 V DC
Voltage tolerance:	± 15% of the nominal voltage
Coil duty rating:	Continuous up to max. 115% of the nominal voltage at 60 °C ambient temperature
Type of voltage:	<u>DC</u> : direct current solenoid <u>AC</u> : alternating current solenoid with a bridge rectifier built into the coil
Coil type:	Coil...-50-1836

* see "Conditions and instructions for valves" in brochure 53.000

DIMENSIONS



MODEL CODE

WK10X - 01 M - C - N - 24 DG

Basic model
Directional spool valve, UNF

Type

01 = standard

Manual override

no details = without manual override

M = manual override

Body and ports*

C = cartridge only

SB4 = G1/2 ports, steel body

AB4 = G1/2 ports, aluminium body

Seals

N = NBR (standard)

V = FKM

Coil voltage

DC voltages

12 = 12 V DC

24 = 24 V DC

AC voltages (bridge rectifier built into the coil)

115 = 115 V AC

230 = 230 V AC

Other voltages on request

Coil connectors (type 50-1836)

DC: DG = DIN connector to EN 175301-803

DK = KOSTAL threaded connection M27x1

DL = 2 flying leads, 457 mm long, 0.75 mm²

DN = Deutsch connector, 2-pole, axial

DT = AMP Junior Timer, 2-pole, radial

AC: AG = DIN connector to EN 175301-803

Other connectors on request

Standard models

Model code	Part No.
WK10X-01-C-N-24DG	3079851
WK10X-01-C-N-230AG	3096314

Other models on request

*Standard in-line bodies

Code	Part No.	Material	Ports	Pressure
FH104-SB4	3037784	Steel, zinc-plated	G1/2"	350 bar
FH104-AB3	3038097	Aluminium, anodized	G1/2"	210 bar

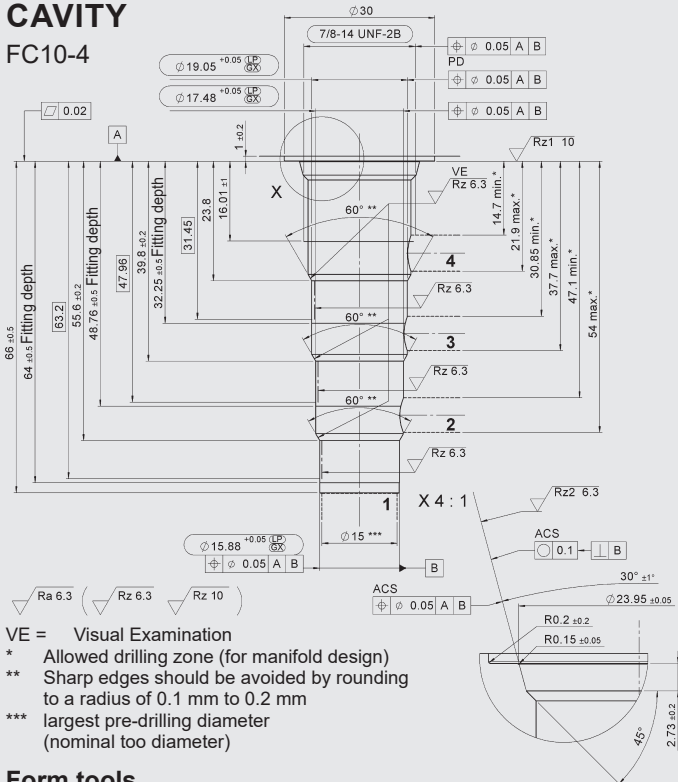
Other housings on request

Seal kits

Code	Material	Part No.
FS UNF 10/N SEAL KIT	NBR	3651557
FS UNF 10/V SEAL KIT	FKM	3651559

CAVITY

FC10-4

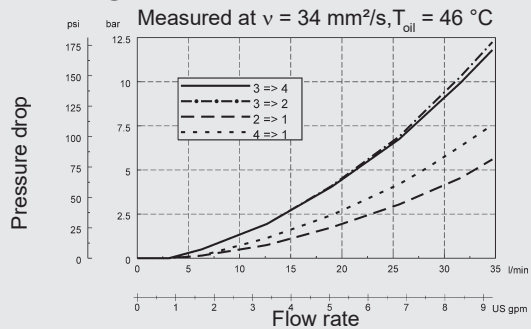


Form tools

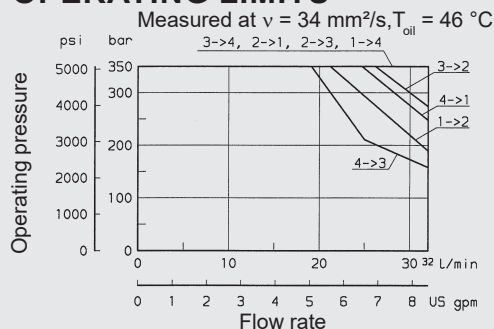
Tool	Part No.
Countersink FC10-4	176174
Reamer FC10-4	176175

millimeter (inch)
subject to technical modifications

PERFORMANCE



OPERATING LIMITS



NOTE

The information in this brochure relates to the operating conditions and applications described. For applications or operating conditions not described, please contact the relevant technical department.
Subject to technical modifications.

HYDAC Fluidtechnik GmbH

Justus-von-Liebig-Str.
D-66280 Sulzbach/Saar
Tel: 0 68 97 /509-01
Fax: 0 68 97 /509-598
E-Mail: valves@hydac.com