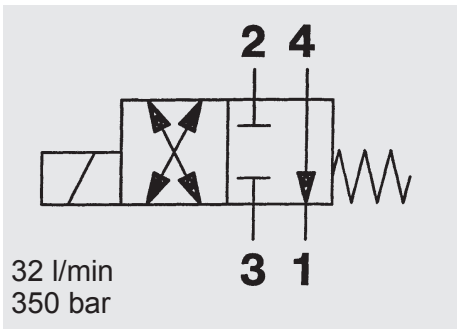
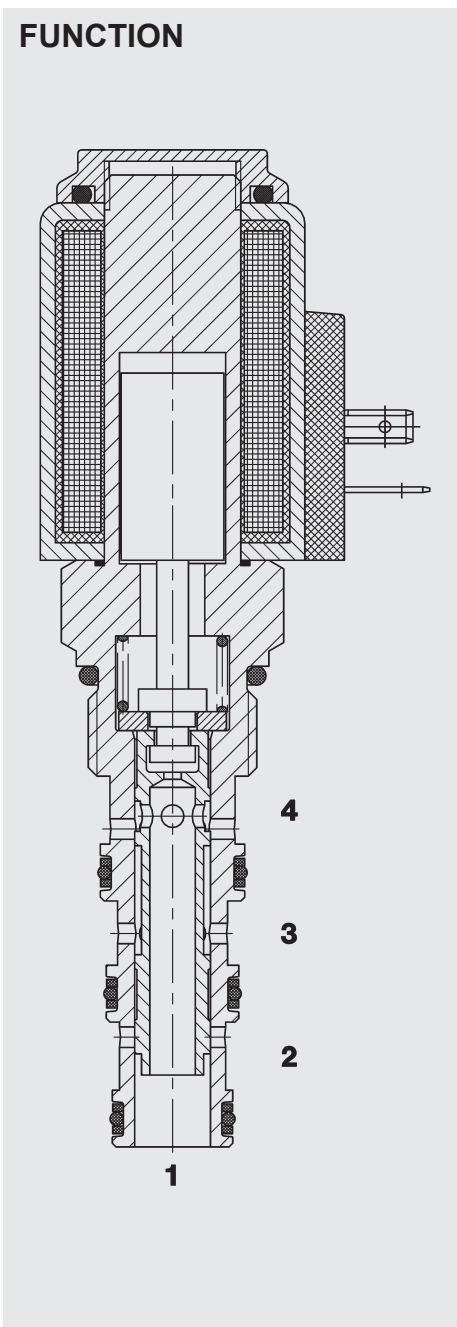


4/2 Solenoid Directional Valve **UNF** **Spool Type, Direct-Acting,** **SAE-10 Cartridge – 350 bar** **WK10P-01**



FUNCTION



When de-energized, the valve allows flow from port 4 to 1, while blocking flow at ports 2 and 3.

When energized, the valve allows flow from port 3 to 4 or from 4 to 3 and from port 1 to 2 or 2 to 1.

FEATURES

- External surfaces zinc-plated and corrosion-proof
- Hardened and ground internal valve components to ensure minimal wear and extended service life
- Coil seals protect the solenoid system
- Wide variety of connectors available
- Excellent switching performance by high power HYDAC solenoid
- Low pressure drop due to CFD optimized flow path

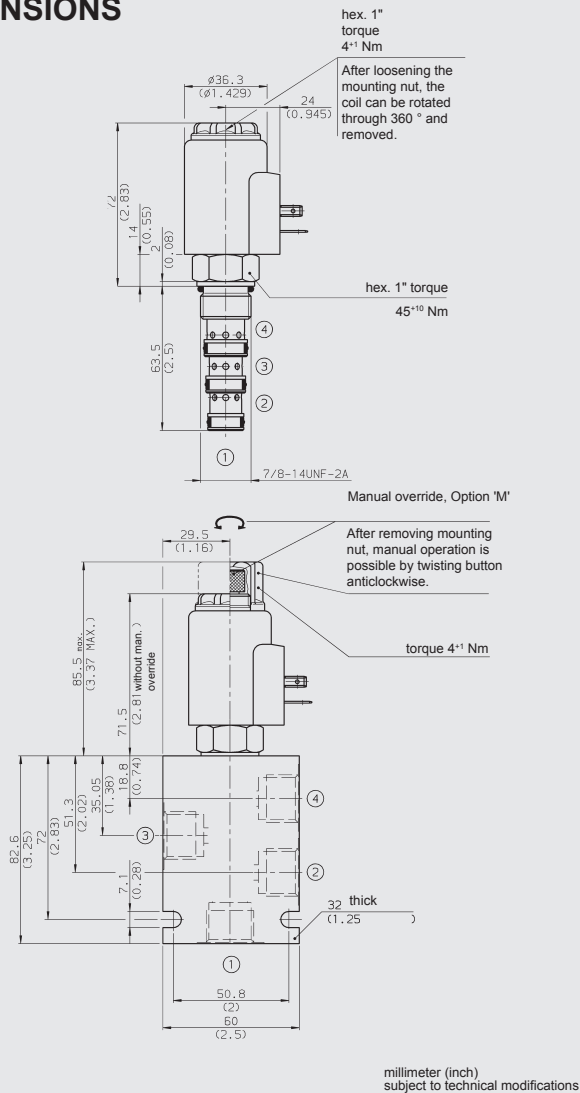
SPECIFICATIONS

Operating pressure:	max. 350 bar	
Nominal flow:	max. 32 l/min	
Internal leakage:	max. 160 cm ³ /min at 250 bar and 34 mm ² /s	
Media operating temperature range:	min. -20 °C to max. +100 °C	
Ambient temperature range:	min. -20 °C to + max. 60 °C	
Operating fluid:	Hydraulic oil to DIN 51524 Part 1 and 2	
Viscosity range:	min. 7.4 mm ² /s to max. 420 mm ² /s	
Filtration:	Class 21/19/16 according to ISO 4406 or cleaner	
MTTF _d :	150 years (see "Conditions and instructions for valves" in brochure 5.300)	
Installation:	No orientation restrictions	
Materials:	Valve body:	free-cutting steel
	Spool:	hardened and ground steel
	Seals:	NBR (standard) FKM (optional, media temperature range -20 °C to +120 °C)
	Back-up rings:	PTFE
Cavity:	FC10-4	
Weight:	Valve complete	0.48 kg
	Coil only	0.23 kg

Electrical data:

Type of voltage:	DC solenoid, AC voltage is rectified using a bridge rectifier built into the coil	
Current draw at 20 °C:	2.22 A at 12 V DC	
	1.13 A at 24 V DC	
Voltage tolerance:	± 15% of the nominal voltage	
Coil duty rating:	Continuous up to max. 115% of the nominal voltage at 60 °C ambient temperature	
Coil type:	Coil...-50-1836	

DIMENSIONS



MODEL CODE

WK10P-01 M - C - N - 24 DG

Basic model

Directional spool valve, UNF

Manual override

no details = without manual override

M = manual override

Body and ports*

C = cartridge only

SB4 = G1/2 ports, steel body

AB4 = G1/2 ports, aluminium body

Seals

N = NBR (standard)

V = FKM

Coil voltage

DC voltages

12 = 12 V DC

24 = 24 V DC

AC voltages (bridge rectifier built into the coil)

115 = 115 V AC

230 = 230 V AC

Other voltages on request

Coil connectors (type 50-1836)

DC: DG = DIN connector to EN 175301-803

DK = KOSTAL threaded connection M27x1

DL = 2 flying leads, 457 mm long, 0.75 mm²

DN = Deutsch connector, 2-pole, axial

DT = AMP Junior Timer, 2-pole, radial

AC: AG = DIN connector to EN 175301-803

Other connectors on request

Standard models

Model code	Part No.
WK10P-01-C-N-24DG	3098533
WK10P-01-C-N-230AG	3098534
Other models on request	

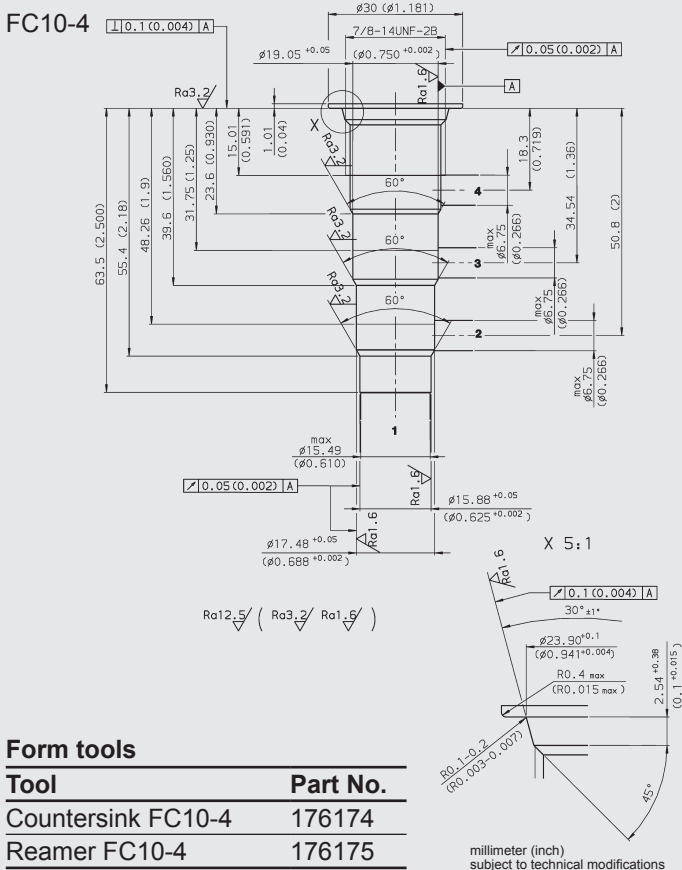
*Standard in-line bodies

Code	Part No.	Material	Ports	Pressure
FH104-SB4	3037784	Steel, zinc-plated	G1/2	420 bar
FH104-AB4	3038097	Aluminium, anodized	G1/2	210 bar
Other bodies on request				

Seal kits

Code	Material	Part No.
FS104-N SEAL KIT	NBR	3051912
FS104-V SEAL KIT	FKM	3071275
Other seal kits on request		

CAVITY

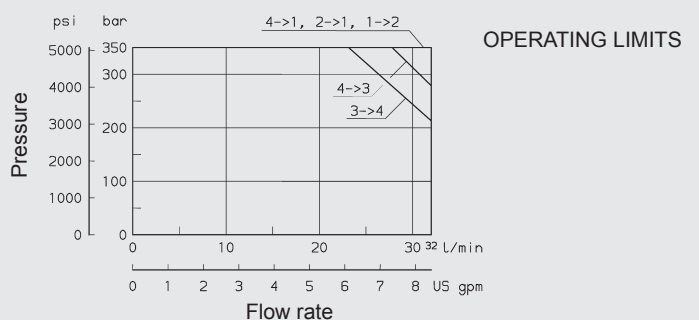
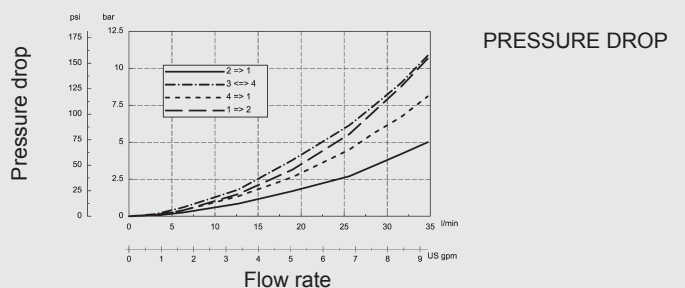


Form tools

Tool	Part No.
Countersink FC10-4	176174
Reamer FC10-4	176175

PERFORMANCE

Measured at $v = 34 \text{ mm}^2/\text{s}$, $T_{\text{oil}} = 46^\circ \text{C}$



NOTE

The information in this brochure relates to the operating conditions and applications described. For applications or operating conditions not described, please contact the relevant technical department.

HYDAC Fluidtechnik GmbH

Justus-von-Liebig-Str.
D-66280 Sulzbach/Saar
 Tel: 0 68 97 /509-01
 Fax: 0 68 97 /509-598
 E-Mail: flutec@hydac.com