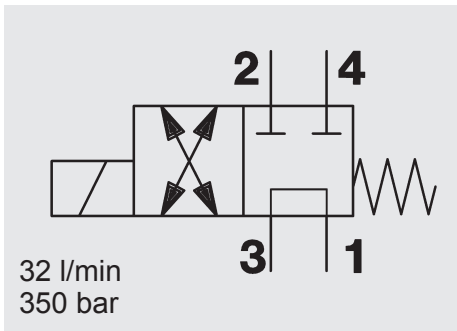
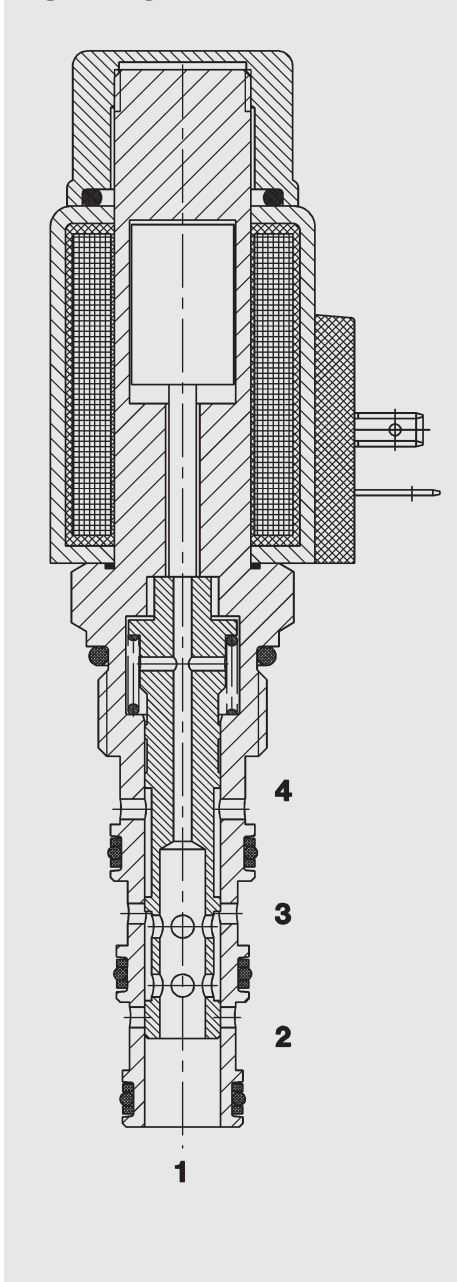


4/2 Solenoid Directional Valve **UNF** Spool Type, Direct-Acting SAE-10 Cartridge – 350 bar

WK10N-01



FUNCTION



When de-energized, the valve allows flow from port 3 to 1 or from 1 to 3, while blocking flow at ports 2 and 4.

When energized, the valve allows flow from port 3 to 4 or from 4 to 3 and from port 1 to 2 or 2 to 1.

FEATURES

- External surfaces zinc-plated and corrosion-proof
- Hardened and ground internal valve components to ensure minimal wear and extended service life
- Coil seals protect the solenoid system
- Wide variety of connectors available
- Excellent switching performance by high power HYDAC solenoid
- Low pressure drop due to CFD optimized flow path

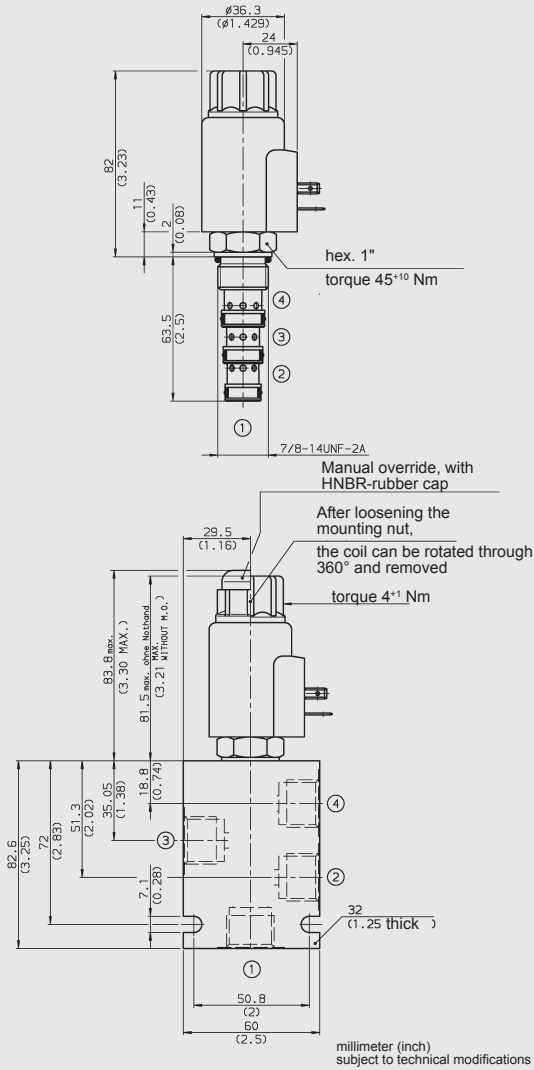
SPECIFICATIONS

Operating pressure:	350 bar
Nominal flow:	32 l/min
Internal leakage:	max. 140 cm ³ /min at 250 bar and 34 mm ² /s
Media operating temperature range:	min. -20 °C to max. +100 °C
Ambient temperature range:	min. -20 °C to max. +60 °C
Operating fluid:	Hydraulic oil to DIN 51524 Part 1 and 2
Viscosity range:	min. 7.4 mm ² /s to max. 420 mm ² /s
Filtration:	Class 21/19/16 according to ISO 4406 or cleaner
Installation:	No orientation restrictions
Material:	Valve body: free-cutting steel Spool: hardened and ground steel Seals: NBR (standard) FKM (optional, media temperature range -20 °C to 120 °C) Back-up rings: PTFE Coil: steel / polyamide
Cavity:	FC10-4
Weight:	Valve complete: 0.48 kg Coil only: 0.23 kg

Electrical data:

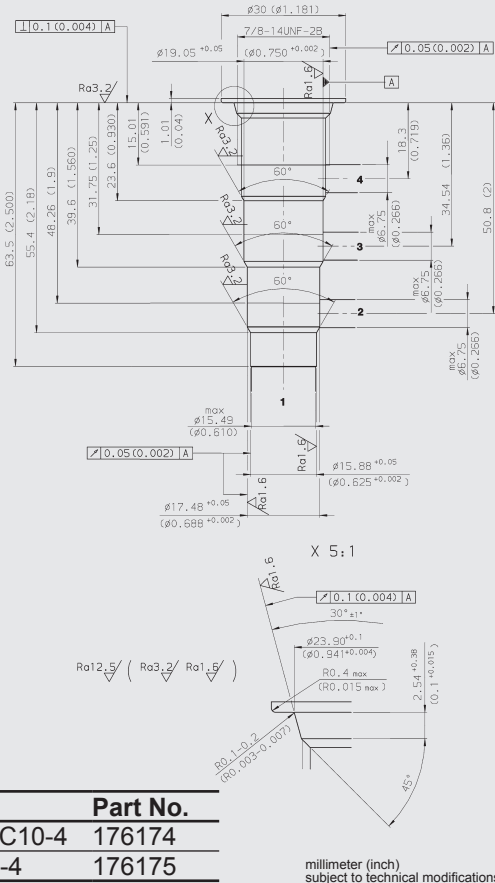
Type of voltage:	DC solenoid, AC voltage is rectified using a bridge rectifier built into the coil
Current draw at 20 °C:	2.22 A at 12 V DC 1.13 A at 24 V DC
Voltage tolerance:	± 15% of the nominal voltage
Coil duty rating:	Continuous up to max. 115% of the nominal voltage at max. 60° C ambient temperature
Coil type:	Coil...-50-1836

DIMENSIONS



CAVITY

FC10-4



Form tools

Tool	Part No.
Countersink FC10-4	176174
Reamer FC10-4	176175

MODEL CODE

WK10N - 01 M - C - N - 24 DG

Basic model

Directional spool valve, UNF

Type

01 = standard

Manual override

no details = without manual override

M = manual override

Body and ports*

C = cartridge only

SB4 = G1/2 ports, steel body

AB4 = G1/2 ports, aluminium body

Seals

N = NBR (standard)

V = FKM

Coil voltage

DC voltages

12 = 12 V DC

24 = 24 V DC

AC voltages (bridge rectifier built into the coil)

24 = 24 V AC

230 = 230 V AC

Other voltages on request

Coil connectors (type 50-1836)

DC: DG = DIN connector to EN 175301-803

DK = KOSTAL threaded connection M27x1

DL = 2 flying leads, 457 mm long, 0.75 mm²

DN = Deutsch connector, 2-pole, axial

DT = AMP Junior Timer, 2-pole, radial

AC: AG = DIN connector to EN 175301-803

Other connectors on request

Standard models

Model code	Part No.
WK10N-01-C-N-24DG	3109892
WK10N-01-C-N-230AG	3109893

Other models on request

*Standard in-line bodies

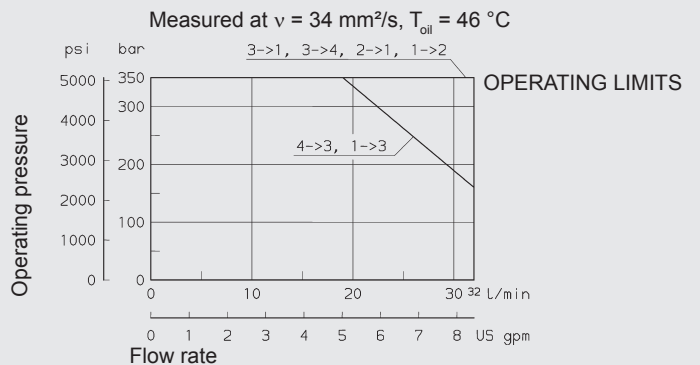
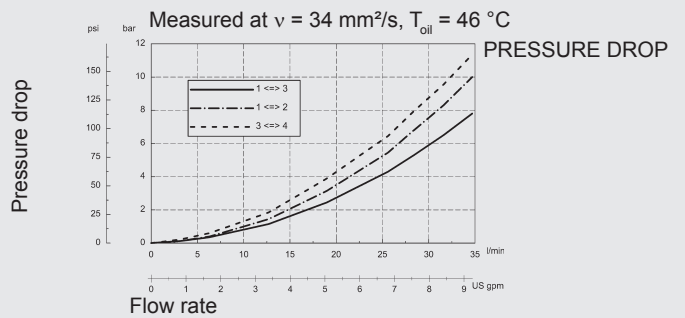
Code	Part No.	Material	Ports	Pressure
FH104-SB4	3037784	Steel, zinc-plated	G1/2	420 bar
FH104-AB4	3038097	Aluminium, anodized	G1/2	210 bar

Other bodies on request

Seal kits

Code	Material	Part No.
FS104-N SEAL KIT	NBR	3051912
FS104-V SEAL KIT	FKM	3071275

PERFORMANCE



NOTE

The information in this brochure relates to the operating conditions and applications described. For applications or operating conditions not described, please contact the relevant technical department.
Subject to technical modifications.

HYDAC Fluidtechnik GmbH

Justus-von-Liebig-Str.
D-66280 Sulzbach/Saar
Tel: 0 68 97 /509-01
Fax: 0 68 97 /509-598
E-Mail: flutec@hydac.com