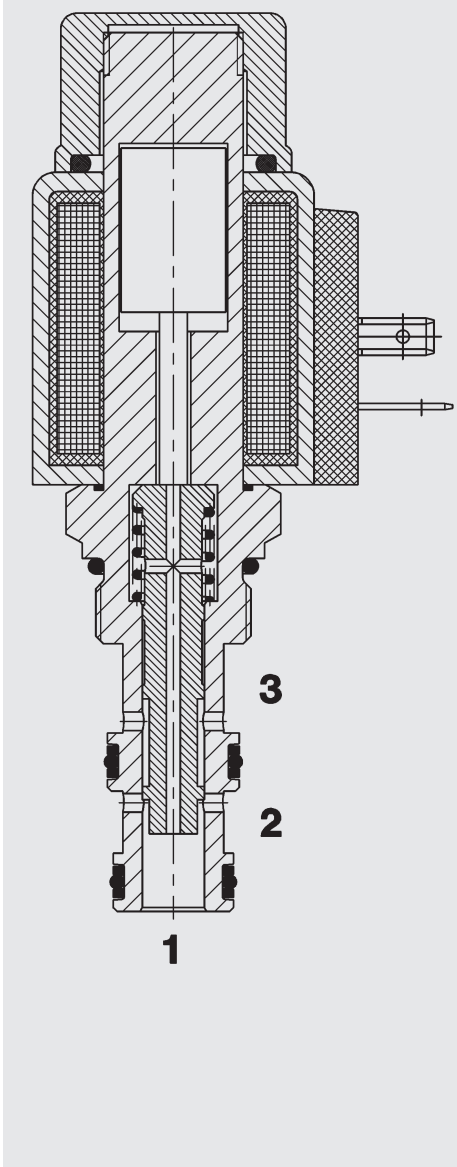


FUNCTION



When de-energized, the valve allows flow from port 2 to 1 or from 1 to 2, while port 3 is closed.

When energized, the valve allows flow from port 2 to 3 or from 3 to 2, while port 1 is closed.

3/2 Solenoid Directional Valve Spool Type, Direct-Acting, Metric Cartridge – 350 bar WKM08130C-01

FEATURES

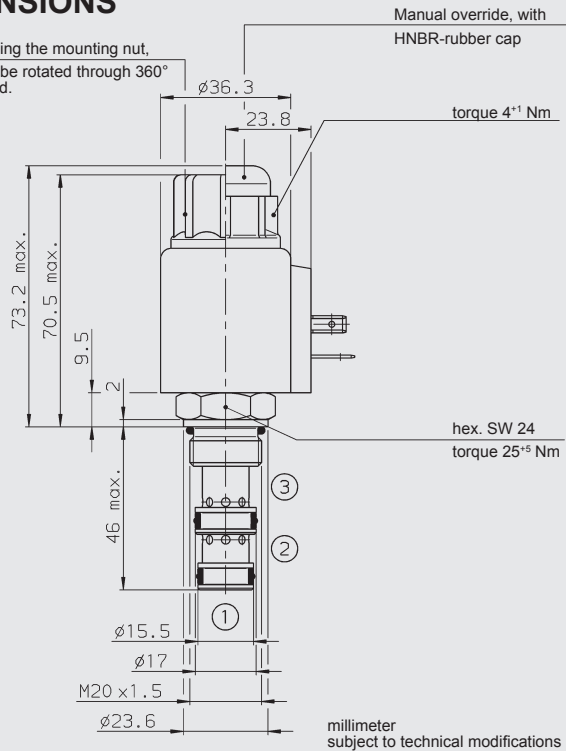
- Coil seals protect the solenoid system
- Wide variety of connectors available
- Hardened and ground valve components to ensure minimal wear and extended service life
- Low pressure drop due to CFD optimized flow path
- External surfaces zinc-plated and corrosion-proof
- Excellent stability throughout the entire flow range
- Compact design enables space-saving installation in connection housings and control blocks

SPECIFICATIONS

Operating pressure:	max. 350 bar
Nominal flow:	max. 25 l/min
Internal leakage:	max. 150 cm ³ /min at 250 bar and 34 mm ² /s
Media operating temperature range:	min. -20 °C to max. +100 °C
Ambient temperature range:	min. -20 °C to max. +60 °C
Operating fluid:	Hydraulic oil to DIN 51524 Part 1 and 2
Viscosity range:	min. 10 mm ² /s to max. 420 mm ² /s
Filtration:	Class 21/19/16 according to ISO 4406 or cleaner
MTTF _d :	150 years (see "Conditions and instructions for valves" in brochure 5.300)
Installation:	No orientation restrictions
Materials:	Valve body: free-cutting steel Spool: hardened and ground steel Seals: NBR (standard) FKM (optional, media temperature range -20 °C to +120 °C) Back-up rings: PTFE Coil: steel / polyamide
Cavity:	08130
Weight:	Valve complete 0.37 kg Coil only 0.19 kg
Electrical data:	
Type of voltage:	DC solenoid, AC voltage is rectified using a bridge rectifier built into the coil
Current draw:	1.5 A at 12 V DC 0.8 A at 24 V DC
Voltage tolerance:	± 15% of the nominal voltage
Coil duty rating:	100% (continuous) up to max. 115% of the nominal voltage at 60 °C ambient temperature
Response time:	Energized: approx. 40 ms De-energized: approx. 30 ms
Coil type:	Coil...-40-1836

DIMENSIONS

After loosening the mounting nut, the coil can be rotated through 360° and removed.



MODEL CODE

WKM08130C - 01 M - C - N - 24 DG

Basic model

Directional spool valve, metric

Type

01 = standard

Manual override

No details = without manual override

M = manual override

Body and ports*

C = cartridge only

Seals

N = NBR (standard)

V = FKM

Coil voltage

DC voltages

12 = 12 V DC

24 = 24 V DC

AC voltages (bridge rectifier built into the coil)

115 = 115 V AC

230 = 230 V AC

Other voltages on request

Coil connectors (type 40-1836)

DC: DG = DIN connector to EN175301-803

DT = AMP Junior Timer, 2-pole, radial

DK = Kostal threaded connection M27 x 1

DL = 2 flying leads 475 mm long, 0.75 mm²

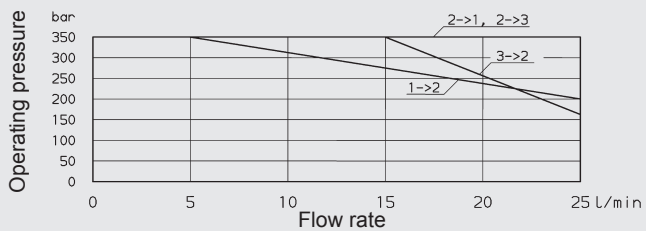
DN = Deutsch connector, axial

AC: AG = DIN connector to EN175301-803

Other connectors on request

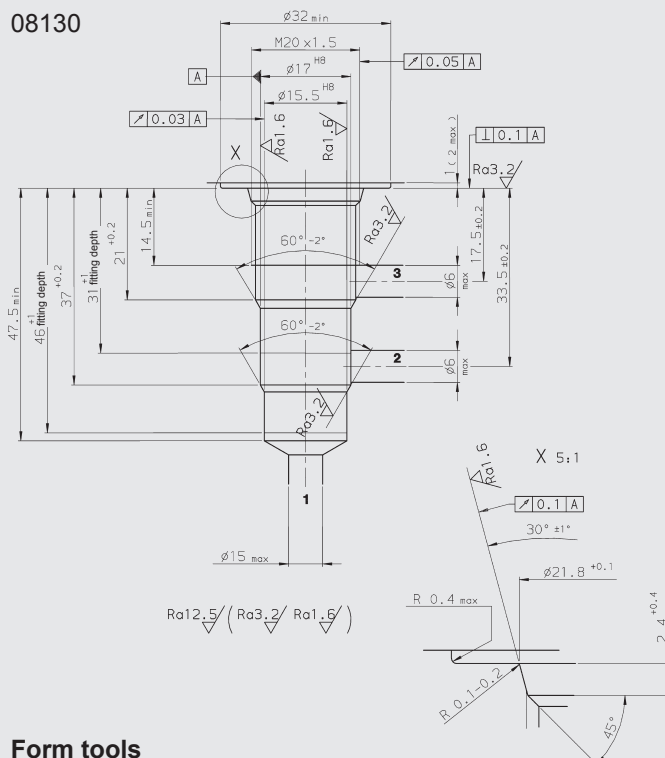
OPERATING LIMITS

Measured at $v = 34 \text{ mm}^2/\text{s}$, $T_{\text{oil}} = 46 \text{ }^\circ\text{C}$



CAVITY

08130



Form tools

Tool	Part No.
Countersink (shank MK3)	169265
Reamer (shank MK2)	163639

millimeter subject to technical modifications

Standard models

Model code	Part No.
WKM08130C-01-C-N-24DG	3115602
WKM08130C-01-C-N-230AG	3115603

*Standard in-line bodies

Code	Part No.	Material	Ports	Pressure
R08130-01X-01	394488	Steel, zinc-plated	G 3/8	420 bar
R08130-01X-02	394378	Steel, zinc-plated	M 14 x 1.5	420 bar

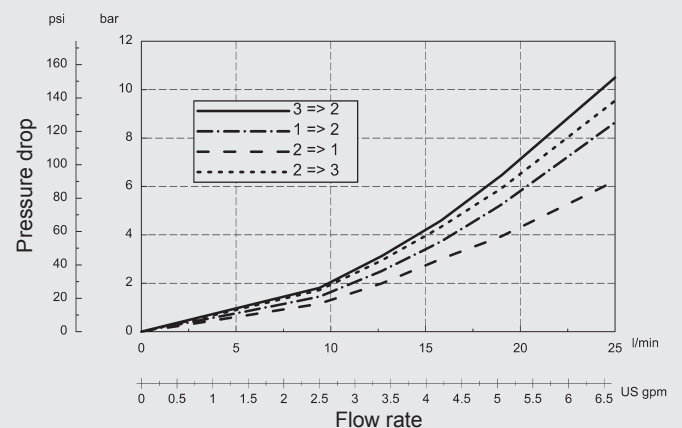
Other bodies on request

Seal kits

Code	Material	Part No.
SEAL KIT 08130-NBR	NBR	3164596
SEAL KIT 08130-FKM	FKM	3183746

PERFORMANCE

Measured at $v = 33 \text{ mm}^2/\text{s}$, $T_{\text{oil}} = 46 \text{ }^\circ\text{C}$



NOTE

The information in this brochure relates to the operating conditions and applications described. For applications or operating conditions not described, please contact the relevant technical department.
Subject to technical modifications.

HYDAC Fluidtechnik GmbH

Justus-von-Liebig-Str.
D-66280 Sulzbach/Saar

Tel: 0 68 97 /509-01

Fax: 0 68 97 /509-598

E-Mail: flutec@hydac.com