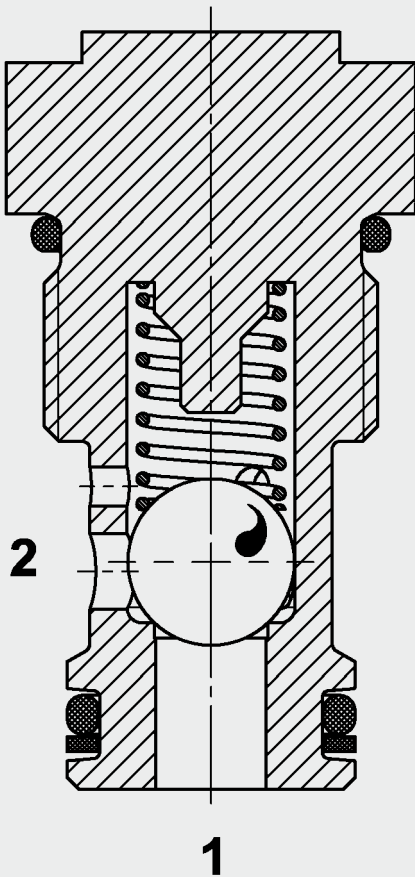




Up to 100 l/min
Up to 350 bar

FUNCTION



When there is no flow through the valve, the spring holds the ball in the closed position and therefore shuts off port 2 from port 1.

The valve opens when the pressure at port 1 is higher than the pressure at port 2, including the pressure created by the spring force.

Check Valve Ball Poppet Type Metric Cartridge – 350 bar

RVM10120-01

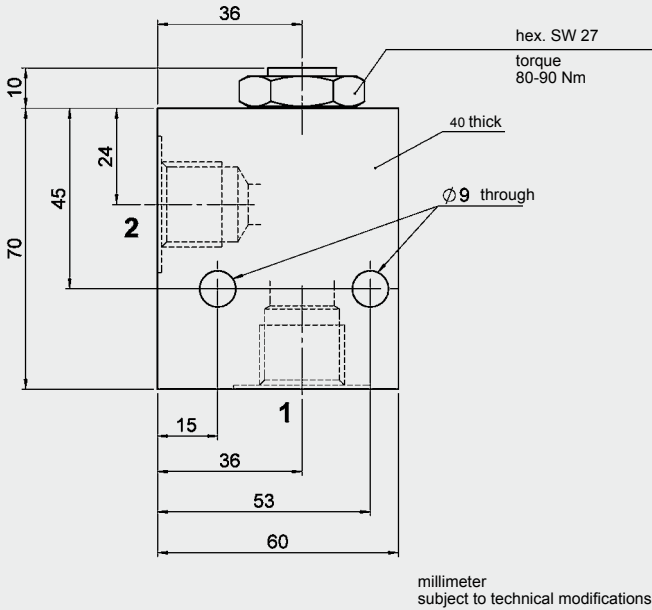
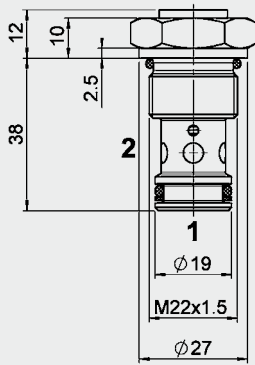
FEATURES

- External surfaces zinc-plated and corrosion-proof
- Excellent stability throughout the entire flow range
- Compact design enables space-saving installation in connection housings and control blocks

SPECIFICATIONS

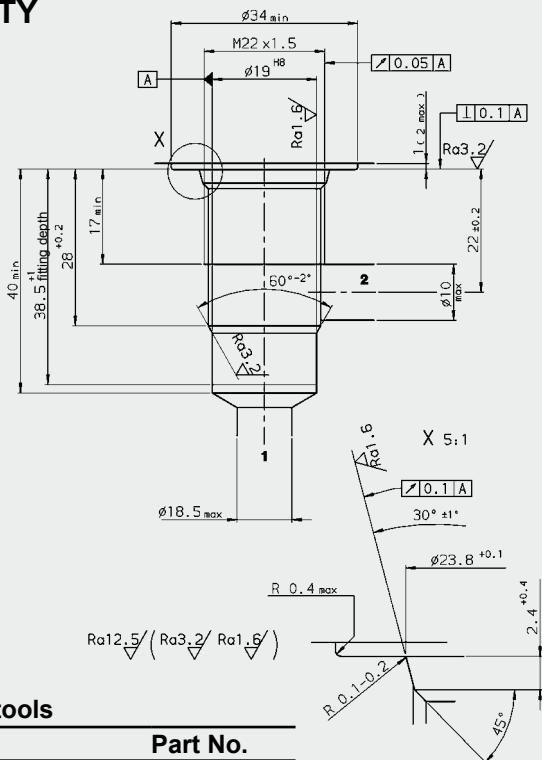
Operating pressure:	max. 350 bar
Nominal flow:	max. 100 l/min
Internal leakage:	leakage-free (max. 5 drops \cong 0,25 cm ³ /min at 350 bar)
Cracking pressure:	0.5 bar Others on request
Media operating temperature range:	min. -30 °C to max. +100 °C
Ambient temperature range:	min. -30 °C to max. +100 °C
Operating fluid:	Hydraulic oil to DIN 51524 Part 1 and 2
Viscosity range:	min. 2.8 mm ² /s to max. 800 mm ² /s
Filtration:	Class 21/19/16 according to ISO 4406 or cleaner
MTTF _d :	150 years (see "Conditions and instructions for valves" in brochure 5.300)
Installation:	No orientation restrictions
Materials:	Valve body: free-cutting steel Ball poppet: roller bearing steel Seals: NBR (standard) FKM (optional, media temperature range -20 °C to +120 °C)
	Back-up rings: PTFE
Cavity:	10120
Weight:	0.11 kg

DIMENSIONS



CAVITY

10120



Form tools

Tool	Part No.
Countersink	170418
Reamer	1014206
Tap	1002627
Plug gauge	169394

millimeter
subject to technical modifications

MODEL CODE

RVM 10120 - 01 - C - N - 0.5

Basic model _____
Check valve, metric

Cavity _____
10120 = 2-way cavity

Type _____
01 = standard

Body and ports* _____
C = cartridge only

Seals _____
N = NBR (standard)
V = FKM (optional)

Cracking pressure _____
0.5 = 0.5 bar
Others on request

Standard models

Model code	Part No.
RVM10120-01-C-N-0.5	3058962

* Standard in-line bodies

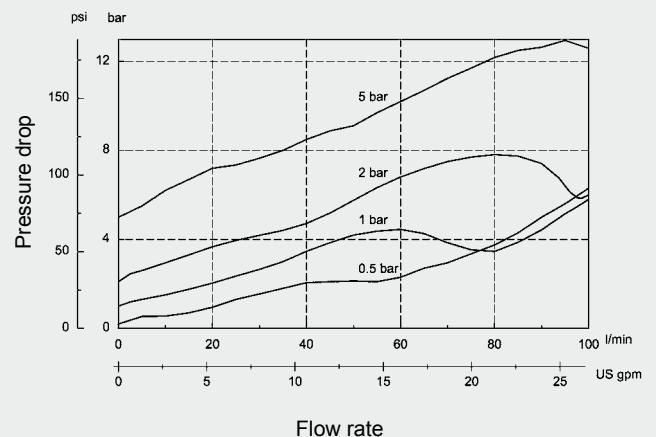
Code	Part No.	Material	Ports	Pressure
R10120-01X-01	395234	Steel, zinc-plated	G 1/2	420 bar
R10120A-01X-02	395235	Steel, zinc-plated	M 22 x 1.5	420 bar

Seal kits

Code	Material	Part No.
SEAL KIT 10120-NBR	NBR	3382346
SEAL KIT 10120-FKM	FKM	3178281

PERFORMANCE

Measured at $v = 33 \text{ mm}^2/\text{s}$, $T_{\text{oil}} = 46 \text{ }^\circ\text{C}$



NOTE

The information in this brochure relates to the operating conditions and applications described. For applications or operating conditions not described, please contact the relevant technical department.
Subject to technical modifications.

HYDAC Fluidtechnik GmbH
Justus-von-Liebig-Str.
D-66280 Sulzbach/Saar
Tel: 0 68 97 /509-01
Fax: 0 68 97 /509-598
E-Mail: flutec@hydac.com