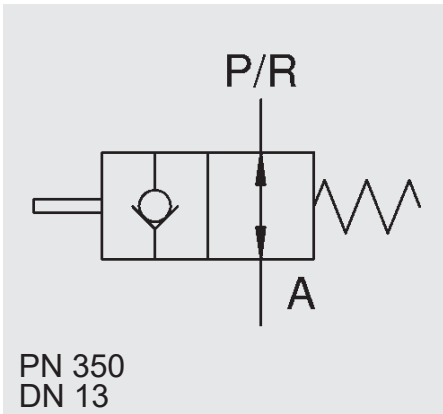
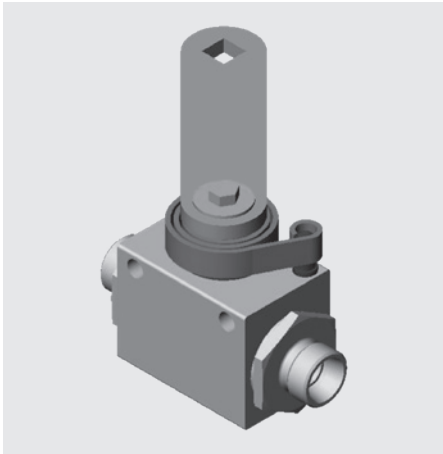


**Spring return isolator  
HKHB**



**Model code**

(also example order)

**HKHB 12LR 1112 09X A CCW OK 0°**

**Designation**

HKHB = block type ball valve with 2 mounting holes  $\varnothing$  6.5  
37.5 mm apart, 5 mm from top edge of block and spring return

**Type of connection**

LR = threaded connection - light range DIN 2353  
SR = threaded connection - heavy range DIN 2353  
Other types of connection on request

**Materials**

*Housing, connection adapters*

1 = steel

*Ball, control spindle*

1 = steel

*Ball seal*

1 = POM

*Control spindle seal*

2 = NBR (Perbunan)

**Handle**

15 = steel bolt-on handle, straight, fitted

09 = without handle

**Surface protection**

A = zinc-plated, chrome (VI)-free

**Switching direction**

CW = clockwise

CCW = anti-clockwise

**Ball valve opening**

O = open

C = closed

**Handle**

L = long

K = short

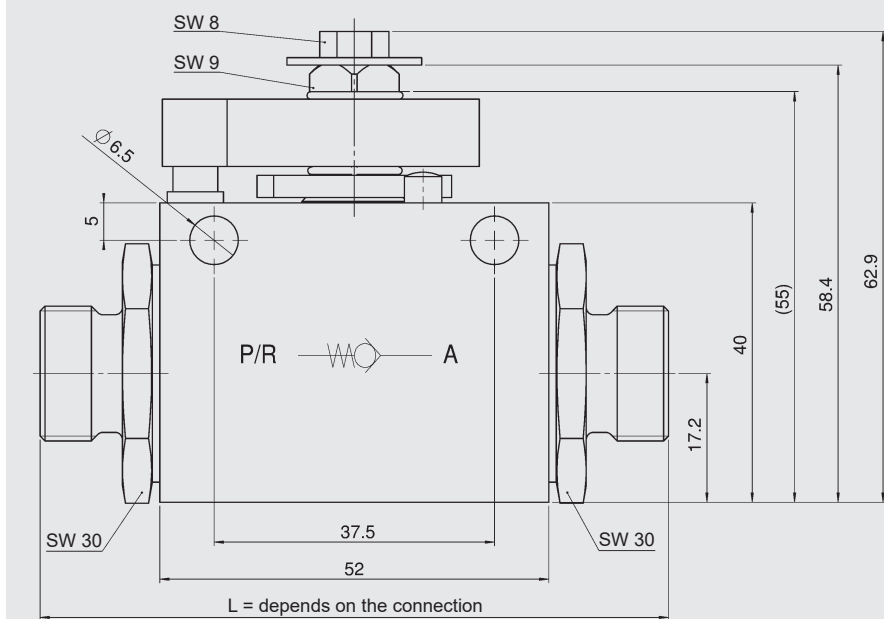
**Handle position**

0° to 315°  
(see order form)

## APPLICATION

- Controlled by a spring, this valve shuts off the pressure line, thereby accurately limiting the cylinder stroke,
- e.g. for tipping cylinders on truck bodies, tail-lifts and agricultural machinery hydraulics

## DIMENSIONS

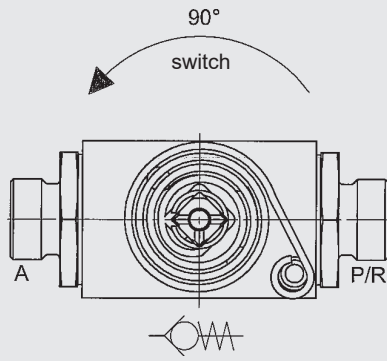
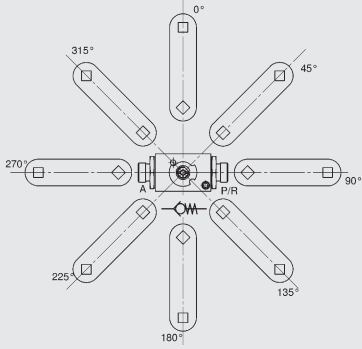


### Technical specifications

DN / nominal bore	13
Connection	10L, 12L and 15L
Operating pressure	350 bar
Medium	Hydraulic oil
Temperature of the medium	-10 °C to +80 °C
Housing width	35 mm
Handle	Short 75 mm (100x25x4) Long 125 mm (150x25x4)
Reset torque	2 Nm
End position	8 Nm

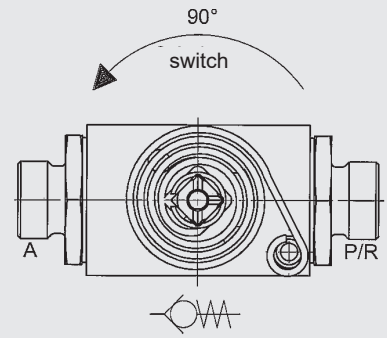
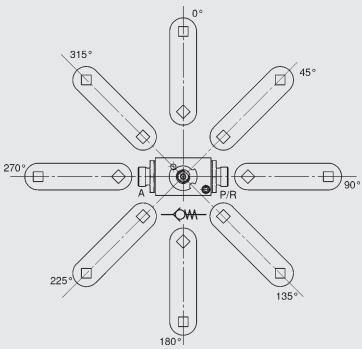
# ORDER FORM

## Handle position



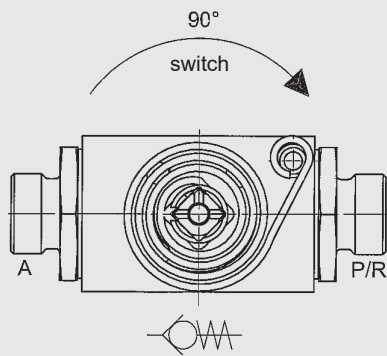
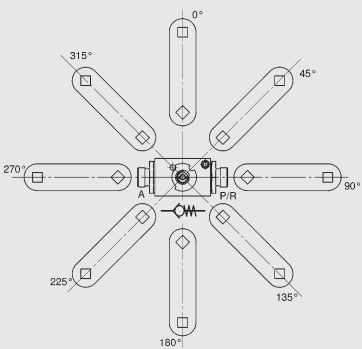
- 
- Open
- Anti-clockwise CCW
- Connection: 10L
- 12L
- 15L
- 10SR
- Handle: short
- long
- Handle position: .....°

## Handle position



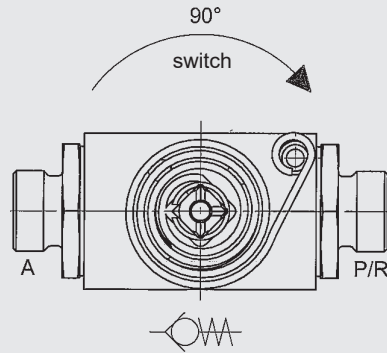
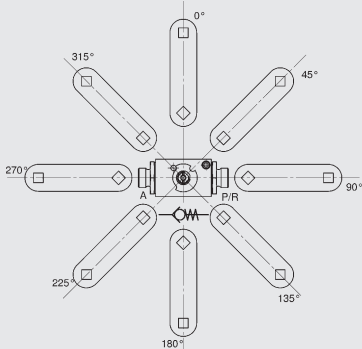
- 
- Closed
- Anti-clockwise CCW
- Connection: 10L
- 12L
- 15L
- 10SR
- Handle: short
- long
- Handle position: .....°

## Handle position



- 
- Open
- Clockwise CW
- Connection: 10L
- 12L
- 15L
- 10SR
- Handle: short
- long
- Handle position: .....°

## Handle position



- 
- Closed
- Clockwise CW
- Connection: 10L
- 12L
- 15L
- 10SR
- Handle: short
- long
- Handle position: .....°

## NOTE

The information in this brochure relates to the operating conditions and applications described. For applications and operating conditions not described, please contact the relevant technical department.

The operator is always responsible for determining the product suitability for the specific application. Quantified values for product characteristics are average values for a new product that undergo a time deterioration process.

Subject to technical modifications and errors.

## HYDAC Accessories GmbH

Hirschbachstr. 2

**66280 Sulzbach/Saar**

Tel.: +49 (0)6897 - 509-01

Fax: +49 (0)6897 - 509-1009

Internet: [www.hydac.com](http://www.hydac.com)

E-Mail: [accessories@hydac.com](mailto:accessories@hydac.com)