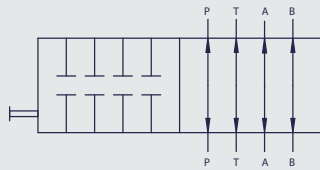
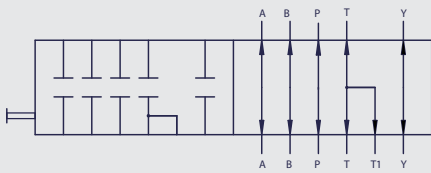


## Isolator Sandwich Plate CETOP

Symbol DN 06



Symbol DN 10



PN up to 315  
DN 06 - 10

### Model code

(also order example)

**KHB4K** **DN06** **CETOP** **1302** **09** **X**

### Designation

KHB4K = 4-gallery isolator ball valve  
KHB6K = 6-gallery isolator ball valve

### Nominal bore

DN06  
DN10

### Connection type

CETOP

### Materials

#### Housing

1 = Steel 1.0718 (DN06)  
5 = Steel 1.0570 (DN10)

#### Spindle

3 = Stainless steel 1.4462

#### Gasket

0 = Metal

#### O-ring

2 = NBR

### Handle

09 = Without handle

### Series

(determined by manufacturer)

## Function

The sandwich plate is mounted before DN06/DN10 directional valves and is used to isolate all channels at the same time via a common spindle. This is operated manually using an open-ended spanner SW9. This means that the directional valve mounted on the sandwich plate can be changed quickly without having to relieve the pressure or drain the system, and with a minimum of leakage.

In normal operation, all channels are open. The spindle is secured and locked with two screws to prevent unauthorized operation.

## Advantages

- Reduction in downtimes for hydraulic systems
- Minimum of internal leakage during normal operation
- Minimum of leakage during the short time when the valve is being replaced
- Not necessary to vent the line after changing the components
- Components can be changed without risk of accidents because all the channels are isolated

## Technical specifications

Control	Sandwich plate
Mounting position	Optional
Medium	Mineral oil
Viscosity range	10 to 380 mm <sup>2</sup> /s
Leakage rate	1 ml / min at 160 bar / 35 °C
Surface protection	Phosphated
Applied standards	PED 97/93/EG; DIN EN 19; ISO 4401, DIN 24340T2

### KHB4K-DN06-CETOP-1302-09X

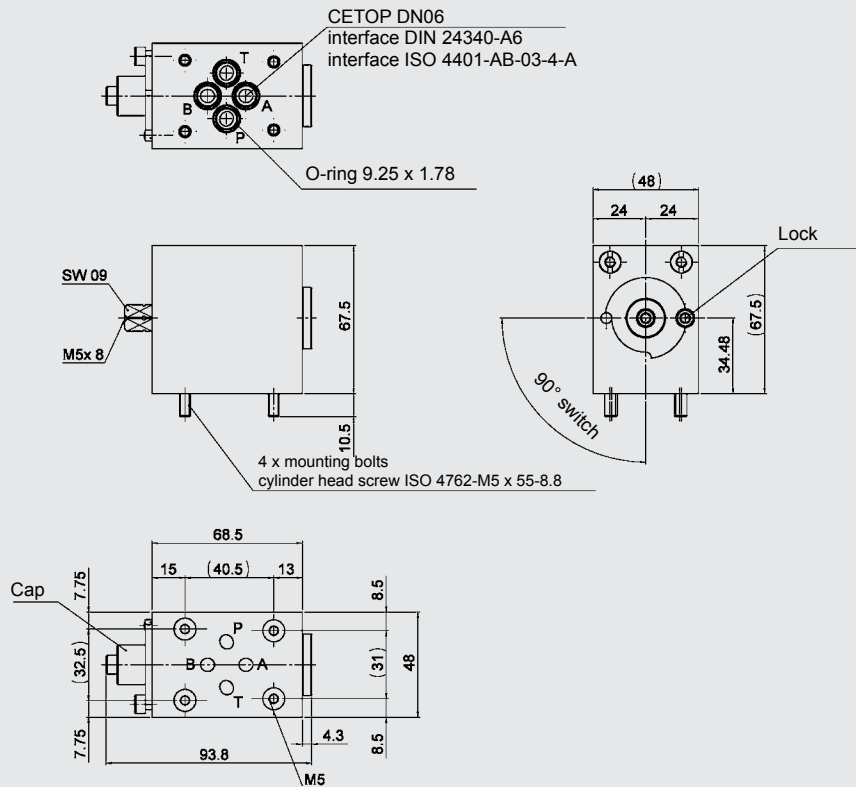
Connection type	CETOP DN06
Interface	DIN 24340-A6 ISO 4401
Temperature of the medium	-10 °C to + 70 °C
Ambient temperature	-10 °C to + 70 °C
Nominal pressure	PN 315
Max. operating pressure PB	315 bar

### KHB6K-DN10-CETOP-5302-09X

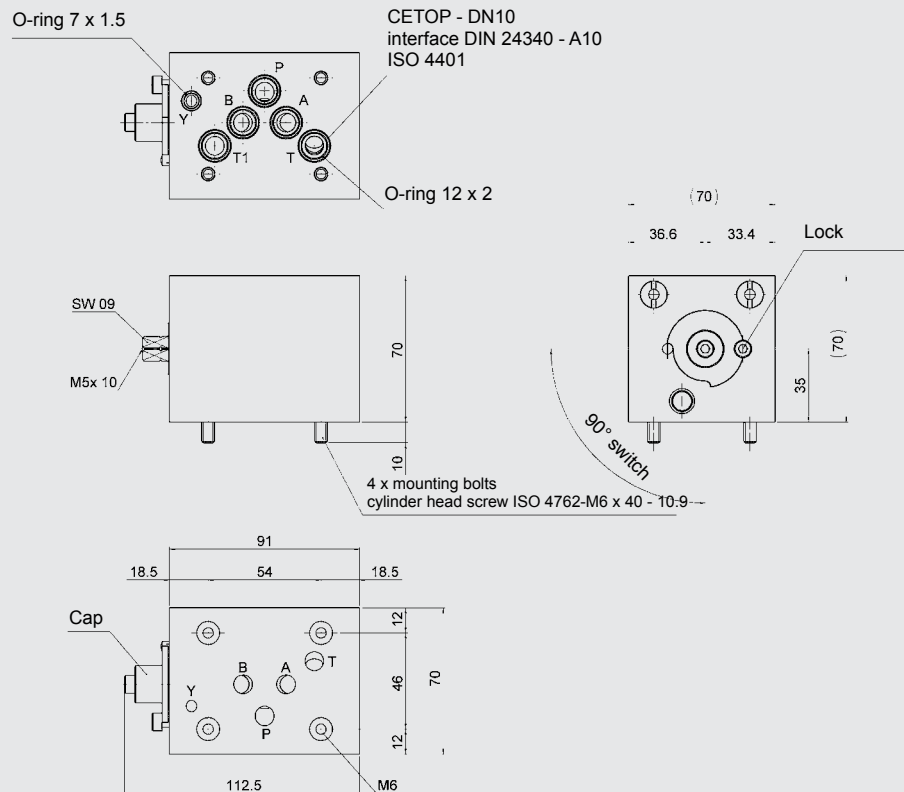
Connection type	CETOP DN10
Interface	DIN 24340-A10 ISO 4401
Temperature of the medium	+30 °C to + 60 °C
Ambient temperature	-20 °C to + 70 °C
Nominal pressure	PN 315
Max. operating pressure PB	315 bar

# Dimensions

## KHB4K-DN06-CETOP



## KHB6K-DN10-CETOP



### NOTE

The information in this brochure relates to the operating conditions and applications described.

For applications and operating conditions not described, please contact the relevant technical department.

Subject to technical modifications.

**HYDAC Accessories GmbH**  
 Hirschbachstr. 2  
**66280 Sulzbach/Saar**  
 Tel.: +49 (0)6897 - 509-01  
 Fax: +49 (0)6897 - 509-1009  
 Internet: [www.hydac.com](http://www.hydac.com)  
 E-Mail: [info@hydac.com](mailto:info@hydac.com)

