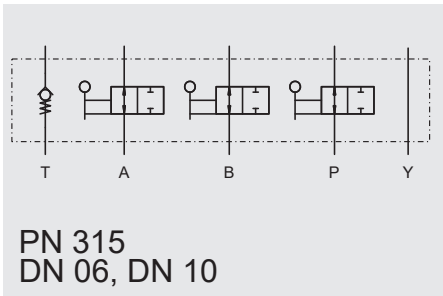
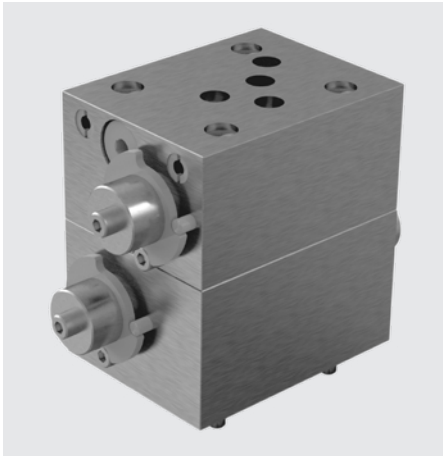


Sandwich plate CETOP KHZ



Model code
(also order
example)

KHZ DN06 CETOP 1112 09 X A PABTY ...

Designation

KHZ = sandwich plate

Nominal bore
(DN)

Type of connection

CETOP = interface to DIN 24340 or ISO 4401

Materials

Housing

1 = steel

Ball, control spindle

1 = steel

Sealing cups

1 = POM

Control spindle seal and connection seal

2 = NBR (Perbunan)

4 = FKM (Viton)

Handle

09 = without handle

Series

(determined by manufacturer)

Surface protection

A = zinc-plated, chrome (VI)-free

Ports

P = pressure port P, can be shut off

A = working port A, can be shut off

B = working port B, can be shut off

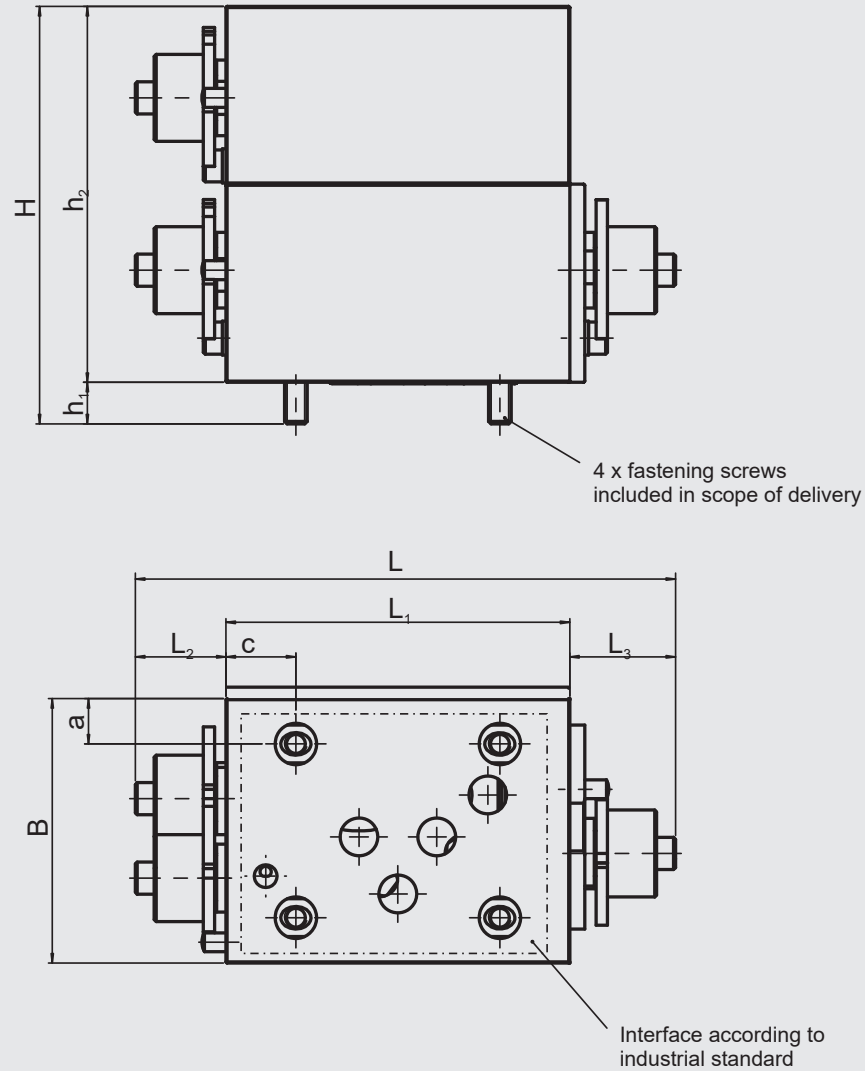
T = tank connection, with non-return valve

Y = pilot port

Options

SO760 = ball valve can be locked in open and closed position using padlock, padlock not supplied

Dimensions [mm]



DN	H	B	L	L1	L2	L3	a	c	h1	h2	Fastening screws
06	76.5	48	99.1	66.5	14.9	17.7	8.5	13	9	67.5	M5x55 - 10.9
10	110.5	70	143	91	24	28	12	18.5	11	99.5	M6x85 - 10.9

Technical specifications

Type of construction	Sandwich plate
Type of connection	CETOP, DIN 24340, DIN ISO 4401
Mounting position	No orientation restrictions
Ambient temperature	-10 °C to +80 °C
Nominal pressure	up to PN 315
Operating media	Mineral oil ISO VG 46
Temperature of operating media	-10 °C to +80 °C
Viscosity	10 to 380 mm ² /s

NOTE

The information in this brochure relates to the operating conditions and applications described. For applications and operating conditions not described, please contact the relevant technical department.

The operator is always responsible for determining the product suitability for the specific application. Quantified values for product characteristics are average values for a new product that undergo a time deterioration process.

Subject to technical modifications and errors.

HYDAC Accessories GmbH

Hirschbachstr. 2

66280 Sulzbach/Saar

Tel.: +49 (0)6897 - 509-01

Fax: +49 (0)6897 - 509-1009

Internet: www.hydac.com

E-Mail: accessories@hydac.com