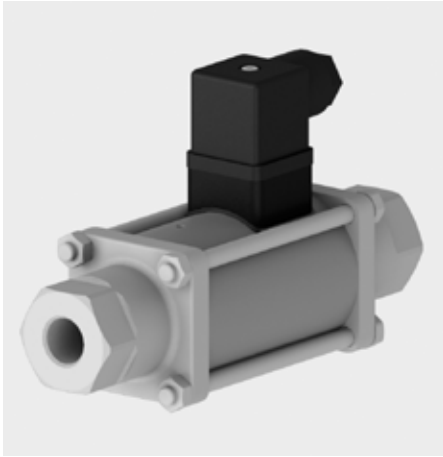
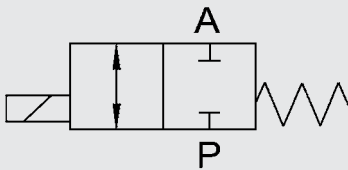


2/2 way Coaxial Valve

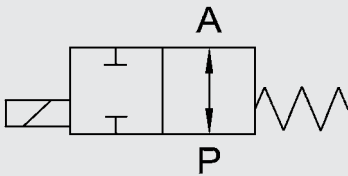
CX02 to CX05 direct acting



Switching function



NC (normally closed)



NO (normally open)

Order data

- Nominal size
- Connection
- Function NC/NO
- Operating pressure
- Flow rate
- Medium
- Medium temperature
- Ambient temperature
- Nominal voltage

Model code

(also example order)

CX02 2/2 D C 2 10 020 014 24V

Type

CX02 = CX02 series
 CX03 = CX03 series
 CX04 = CX04 series
 CX05 = CX05 series

Ways

2/2 = The number of ways

Control

D = Direct acting

Switching function

C = NC - normally closed
 O = NO - normally open

Body material

1 = Free from non-ferrous materials*
 2 = Brass (standard)
 3 = Brass, nickel-plated*
 4 = 1.4305*
 5 = 1.4571*

Nominal size

10 = DN 10
 15 = DN 15
 20 = DN 20
 25 = DN 25
 32 = DN 32
 40 = DN 40
 50 = DN 50

Pressure range

020 = CX02 > 0 - 20 bar
 040 = CX03 > 0 - 40 bar
 064 = CX04 > 0 - 64 bar
 100 = CX05 > 0 - 100 bar

Connection

014 = G $\frac{1}{4}$ - DN 10
 038 = G $\frac{3}{8}$ - DN 10, DN 15
 012 = G $\frac{1}{2}$ - DN 10, DN 15, DN 20
 034 = G $\frac{3}{4}$ - DN 10*, DN 15, DN 20, DN 25
 100 = G1 - DN 15*, DN 20, DN 25, DN 32
 114 = G1 $\frac{1}{4}$ - DN 20*, DN 25, DN 32
 112 = G1 $\frac{1}{2}$ - DN 25*, DN 32, DN 40
 200 = G2 - DN 50

Nominal voltage

24V = 24 V DC
 230V = 230 V AC 40-60 Hz
 Special voltages on request

*optional

Technical specifications

Control	2/2 way valve, direct-acting	
Nominal size	DN 10 to DN 50	
Pressure range (see table)	CX02 – 2/2	PN 0 to PN 20
	CX03 – 2/2 DN10 - 32	PN 0 to PN 40
	CX03 – 2/2 DN40 - 50	PN 0 to PN 16
	CX04 – 2/2	PN 0 to PN 64
	CX05 – 2/2	PN 0 to PN 100
Connections (see table)	Threaded sleeve flange on request	
Body material	Sleeve version Flange version	Brass, nickel-coated brass, 1.4305, 1.4571 on request
Valve seat (plastic on metal)	FKM PTFE	CX02 / CX03 / CX04 CX05
Material of seals	Static: Dynamic:	FKM PTFE
Back pressure resistant	Up to 16 bar	
Media	Gaseous, liquid, contaminated	
Direction of flow	P → A A → P	As marked max. 16 bar
Temperature of medium	-20 °C to +130 °C	
Ambient temperature	-30 °C to +60 °C	
Mounting position	In any position	
Limit switch	Inductive*	
Fixing	Angle bracket*	

Electrical part

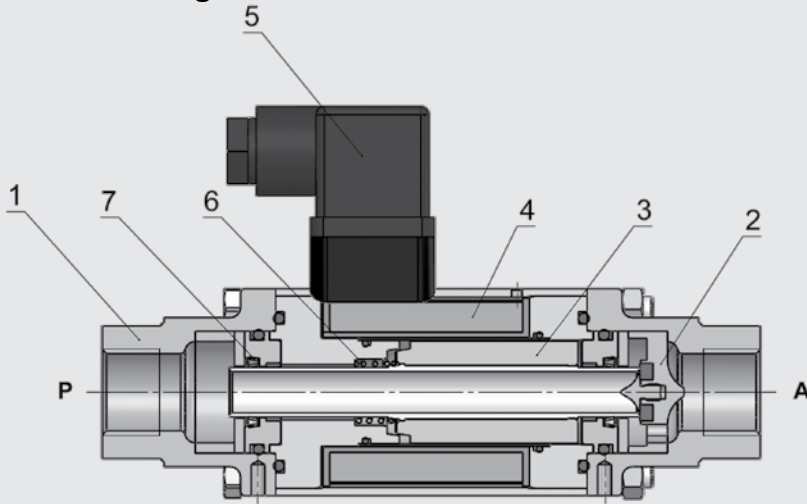
Nominal voltage	DC: 24 V AC: 230 V 40-60 Hz
Electrical part	DC: DC magnet AC: DC magnet with integrated rectifier
Connection	Connector plug to DIN EN 175301-803 type A Connector plug to DESINA M12x1 * Illuminated plug with varistor *
Voltage tolerance	+ / - 10% to VDE 0580
Duty cycle	100% duty cycle
Protection class	IP 65 when fitted with connector plug

On request we would be happy to discuss your requirements for further options and accessories.

*optional

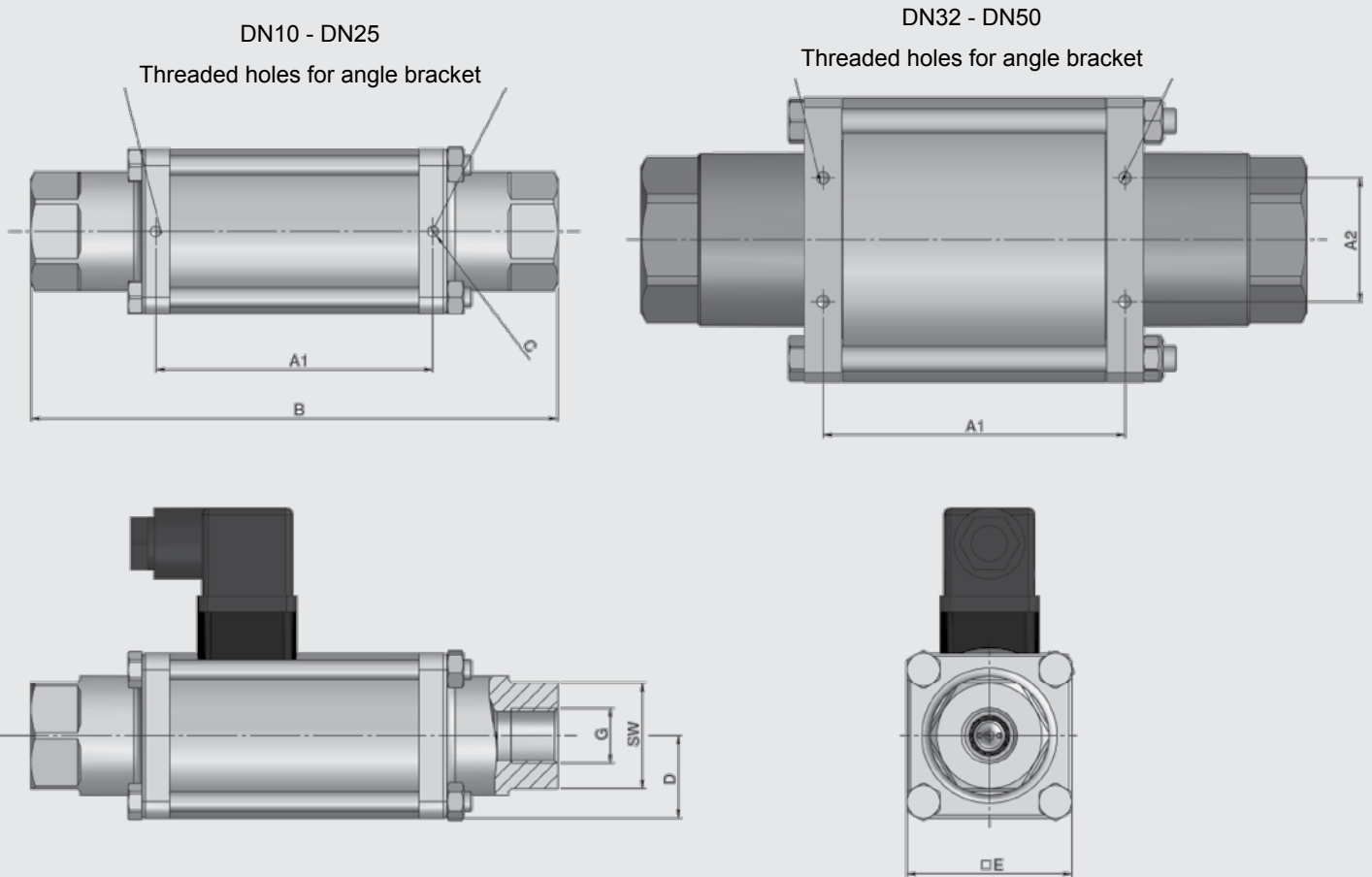
Designation	DN [mm]	Pressure [bar]	Connection	Kv value [m³/h]	Wattage [W]		Weight [kg]
				DIN 60354	24V DC	230 V 50 Hz	
CX02	10	0 – 20	G¼, G¾, G½	2.1	25	29	1.7
	15	0 – 20	G¾, G½, G¾	5.2	30	32	3.6
	20	0 – 20	G½, G¾, G1	7.0	34	42	5.4
	25	0 – 20	G¾, G1, G1¼	12.3	51	60	7.1
	32	0 – 20	G1, G1¼, G1½	20.0	73	76	12.6
CX03	10	0 – 40	G¼, G¾, G½	2.1	35	41	1.7
	15	0 – 40	G¾, G½, G¾	5.2	40	45	3.6
	20	0 – 40	G½, G¾, G1	7.0	45	53	5.4
	25	0 – 40	G¾, G1, G1¼	12.3	60	68	7.1
	32	0 – 40	G1, G1¼, G1½	20.0	73	76	12.6
	40	0 – 16	G1½	45.7	73	91	18.3
	50	0 – 16	G2	47.2	73	91	18.3
CX04	10	0 – 64	G¼, G¾, G½	2.1	44	53	1.7
	15	0 – 64	G¾, G½, G¾	5.2	50	55	3.6
	20	0 – 64	G½, G¾, G1	7.0	53	59	5.4
	25	0 – 64	G¾, G1, G1¼	12.3	77	85	7.1
	32	0 – 64	G1, G1¼, G1½	20.0	73	76	12.6
CX05	10	0 – 100	G¼, G¾, G½	2.1	44	53	1.7
	15	0 – 100	G¾, G½, G¾	5.2	50	55	3.6
	20	0 – 100	G½, G¾, G1	7.0	53	59	5.4
	25	0 – 100	G¾, G1, G1¼	12.3	77	85	7.1
	32	0 – 100	G1, G1¼, G1½	20.0	73	76	12.6

Sectional drawing



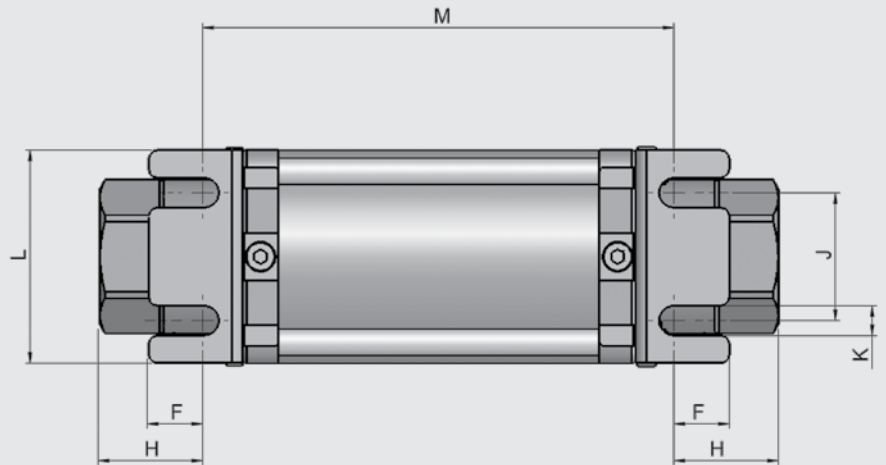
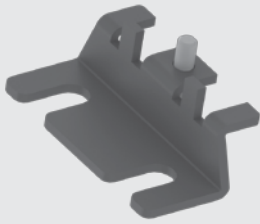
Item	Designation	Qty.
1	Connecting block	2
2	Valve seat	1
3	Armature	1
4	Magnet	1
5	Connector plug	1
6	Spring	1
7	PTFE rod seal	2

Dimensions



DN	G	SW	A1 [mm]	A2 [mm]	B [mm]	C	D [mm]	E [mm]
10	G $\frac{1}{4}$, G $\frac{3}{8}$, G $\frac{1}{2}$	32	84	–	159.5	M4	25	50
15	G $\frac{3}{8}$, G $\frac{1}{2}$, G $\frac{3}{4}$	41	100	–	184	M5	35	70
20	G $\frac{1}{2}$, G $\frac{3}{4}$, G1	46	108	–	215	M5	40	80
25	G $\frac{3}{4}$, G1, G1 $\frac{1}{4}$	55	121	–	246	M5	45	90
32	G1, G1 $\frac{1}{4}$, G1 $\frac{1}{2}$	60	122	50	269	M6	57.5	115
40	G1 $\frac{1}{2}$	75	131	60	304	M6	65	130
50	G2	75	131	60	304	M6	65	130

Angle bracket



DN	F [mm]	H [mm]	J [mm]	K [mm]	L [mm]	M [mm]
10	10	23.5	30	7	50	113
15	10.5	22.5	45	7	70	139
20	15.3	33.5	50	7	80	149
25	16	34	60	8.5	90	178
32	6	37	78	6.5	115	195
40	6	40	98	6.5	130	224
50	6	40	98	6.5	130	224

NOTE

The information in this brochure relates to the operating conditions and applications described.

For applications and operating conditions not described, please contact the relevant technical department.

Subject to technical modifications.

HYDAC Accessories GmbH
Hirschbachstr. 2
66280 Sulzbach/Saar
Tel.: +49 (0)6897 - 509-01
Fax: +49 (0)6897 - 509-1009
Internet: www.hydac.com
E-Mail: info@hydac.com